



**PROFILE
DESIGN**

TRI STEM

REVISION 01-04-18-2023

INTRODUCTION

Thank you for purchasing this Profile Design Stem. These instructions apply to the Tri Stem.

Please read these instructions thoroughly before attempting to install this item. Proper installation is required for compliance with Profile Design's warranty policy. If you are not familiar with installation of Aerobars or their accessories, please seek the assistance of your local Profile design dealer by logging on to www.profile-design.com and using "dealer search" or by calling Profile Design's customer service number p.# 888.800.5999.

Note to Dealers: If you install this product for the consumer, please provide him/her with this owner's manual after installation.

Tools and materials required:

- Assembly compound such as Finishline Fiber Grip™
- 4mm Allen key
- Torque Wrench with 4mm Hex bit

Your Stem kit should contain:

- One (1) aluminium stem body with two (2) M5x18 steerer clamp bolts
- One (1) aluminium stem faceplate with four (4) M5x18 bolts
- One (1) aluminium headset compression cap with one (1) M6x30 bolt
- One (1) plastic stem cover with two (2) M3x10 bolts

Optional accessories compatible with this stem:

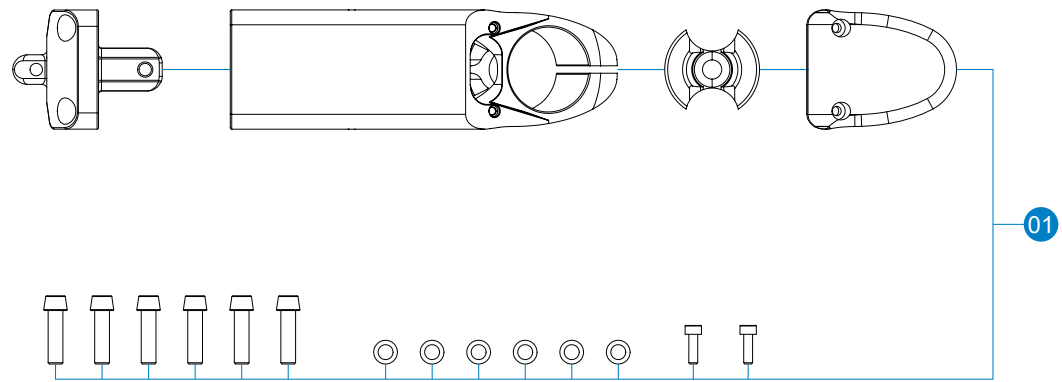
- Any Profile Design Basebar or Handlebar
- HSF Aeria Bottle
- HSF AeroFlow Bottle

If anything is missing from the Stem kit please contact your dealer.

WARNING: Periodically check the stem for damage that could lead to degradation and weakening of the base material. Replace your stem if you notice any damage from use or accident.

COMPONENT LIST

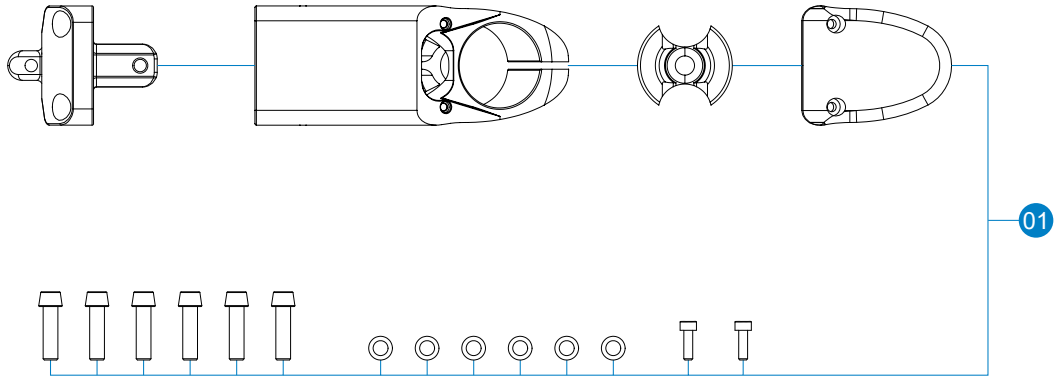
Tri Stem 105mm



Ref.#	Part.#	QTY. Req.	Part Description
1	539136	1	Tri Stem 17.5° x 105mm

COMPONENT LIST

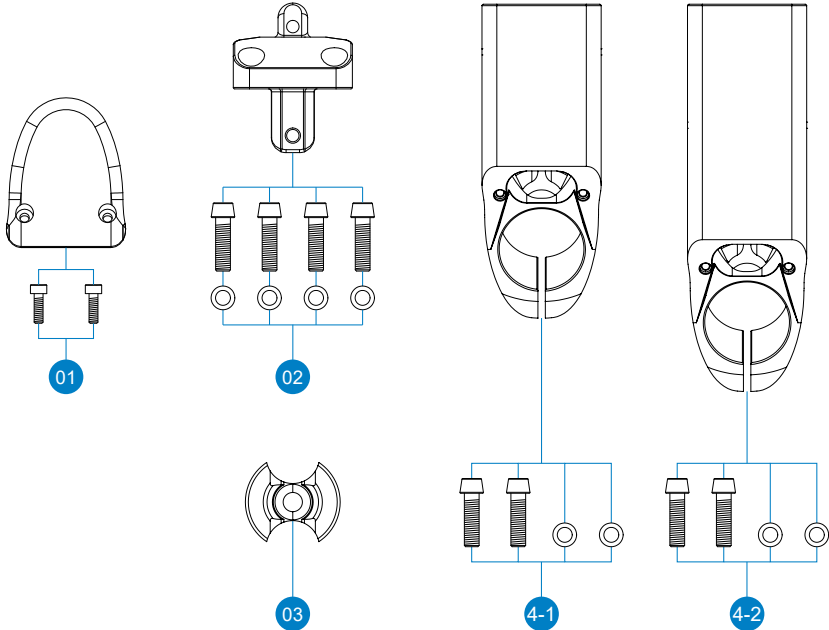
Tri Stem 80mm



Ref.#	Part.#	QTY. Req.	Part Description
1	539137	1	Tri Stem 17.5°x 80mm

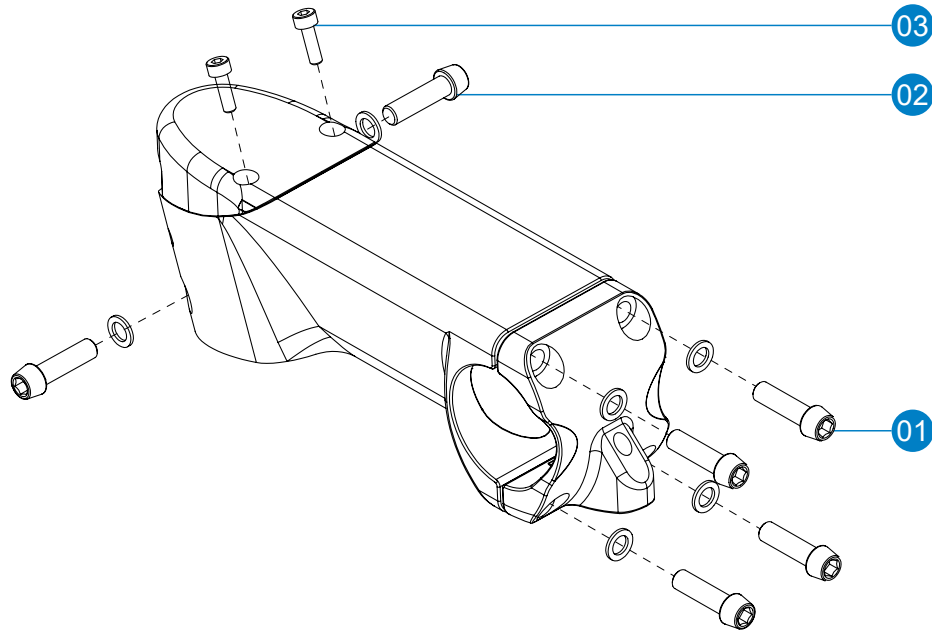
COMPONENT LIST

Tri Stem 80mm / 105mm Repair kits



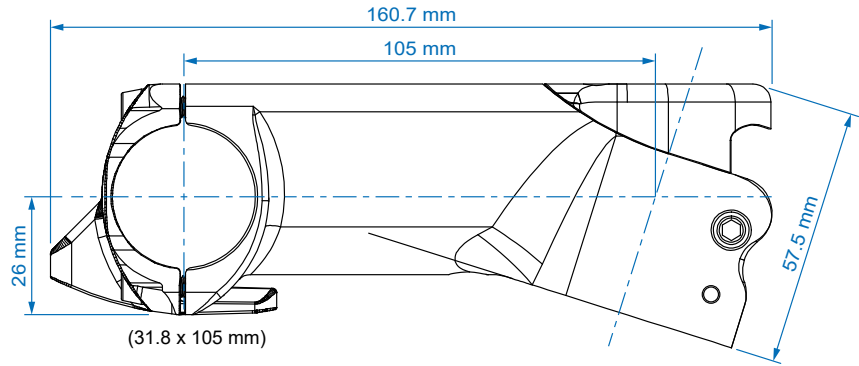
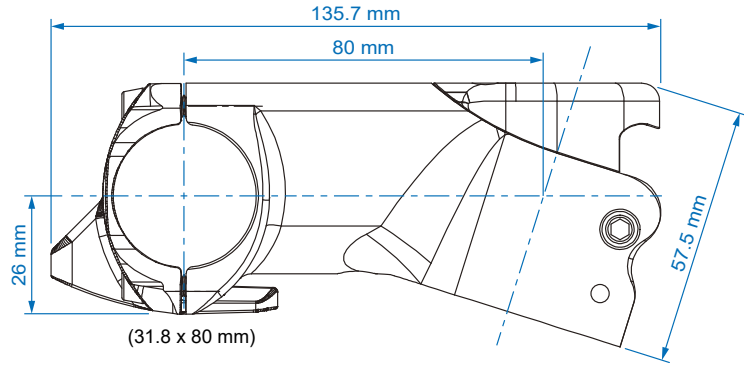
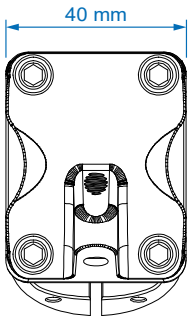
Ref.#	Part.#	QTY. Req.	Part Description
1	323201	1	Compression Cap - Tri Stem Alloy Black
2	323202	1	Rear Cap with Bolts - Tri Stem
3	323203	1	Front Cap with Bolt - Tri Stem
4-1	539138	1	80mm Tri Stem body w/Bolts
4-2	539139	1	105mm Tri Stem body w/Bolts

TORQUE SETTINGS



Ref.#	Location	Bolt Size	Torque
1	Bar clamp bolts	M5x18mm	1Nm (8.8 inlb)
2	Steerer clamp bolts	M5x18mm	5Nm (44 inlb)
3	Headset cap bolt	M3x10mm	6Nm (53 inlb)

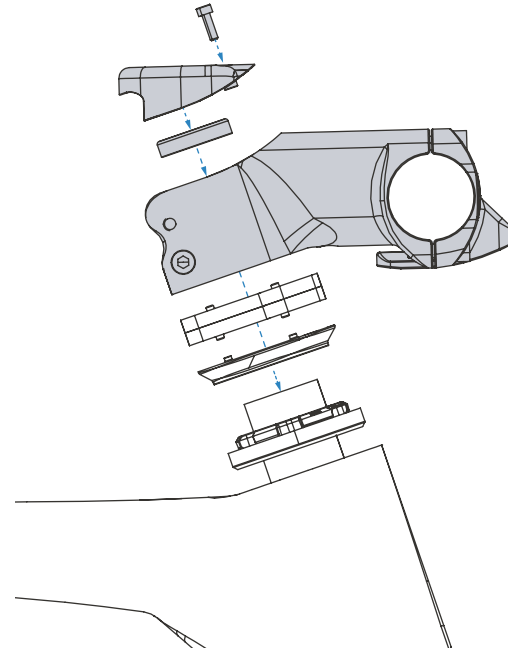
PART DRAWINGS



INSTALLATION INSTRUCTIONS

Externally routed headset

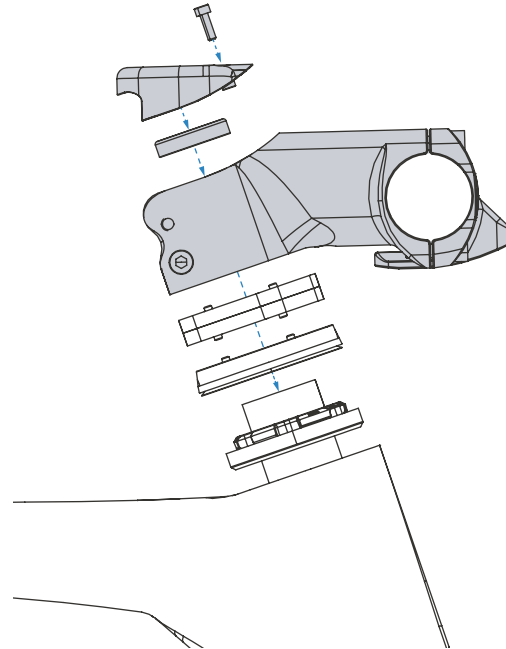
1. Install the stem on the fork steerer.
 - Ensure the top of the steerer tube is level with or up to 2mm above the top of the stem clamp.
 - Fit the included compression cap.
 - Tighten the steerer clamp bolts enough that the stem won't shift during the assembly process. Note that this is not the final tightening of these bolts.
2. Apply assembly paste to the bar clamp of the stem.
3. This step depends on the style of basebar you are using.
 - If the brake cables exit the basebar outside the stem attach the basebar to the stem and tighten the faceplate bolts so they are snug.
 - If the brake cables exit the basebar inside the stem, first route the cables through the bar, then route them through the stem before attaching the faceplate and tightening the bolts to be snug.
 - The front brake cable can be routed outside the stem or into the stem and out through the hole in the base of the stem body.
4. If using electronic gears, the only way to route the cables into the stem is through the basebar (only available on Wing Carbon bars and Aeria Ultimate), do this prior to fitting the basebar to the stem.
5. Complete the rest of the aerobar installation then brake and shifter cable setup according to the manufacturer instructions.
6. Remove the bike from the workstand for final adjustments.
 - Tighten the headset according to the headset manufacturers instructions.
 - Tighten the steerer clamp bolts on the stem to a maximum of 5Nm.
 - Adjust the angle of the basebar.
 - Tighten the faceplate bolts to a maximum of 6Nm.
7. Once headset and cable installation is complete, fit the plastic cover over the steerer and torque the bolts to a maximum of 2Nm.



INSTALLATION INSTRUCTIONS

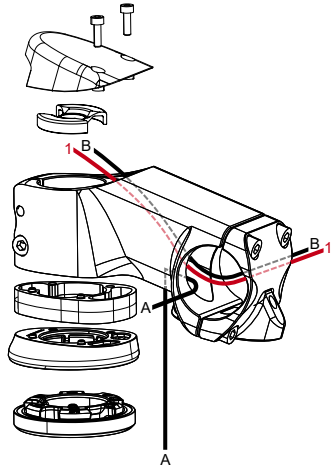
Internally routed headset

1. Route the brake and gear cables through the frame and out of the headset cap.
2. Install the stem on the fork steerer.
 - As you install the stem guide the cables through the two slots in the stem and out through the bar clamp area.
 - Ensure the top of the steerer tube is level with or up to 2mm above the top of the stem clamp.
 - Fit the included compression cap.
 - Tighten the steerer clamp bolts enough that the stem won't shift during the assembly process. Note that this is not the final tightening of these bolts.
3. Apply assembly paste to the bar clamp of the stem.
4. Install the bar, carefully guiding the cables into the basebar and out to their appropriate locations.
5. Attach the faceplate and tighten the bolts to be snug.
6. Complete the rest of the aerobar installation then brake and shifter cable setup according to the manufacturer instructions.
7. Remove the bike from the workstand for final adjustments.
 - Tighten the headset according to the headset manufacturers instructions.
 - Tighten the steerer clamp bolts on the stem to a maximum of 6Nm.
 - Adjust the angle of the basebar.
 - Tighten the faceplate bolts to a maximum of 6Nm.
8. Once headset and cable installation is complete, fit the plastic cover over the steerer and torque the bolts to a maximum of 2Nm.

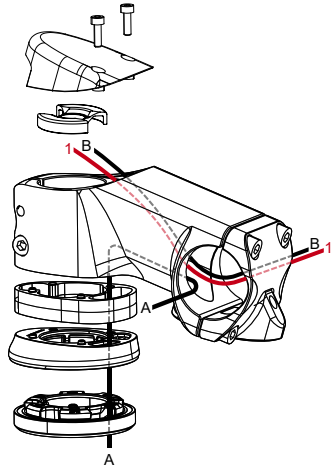


CABLE ROUTE MAP

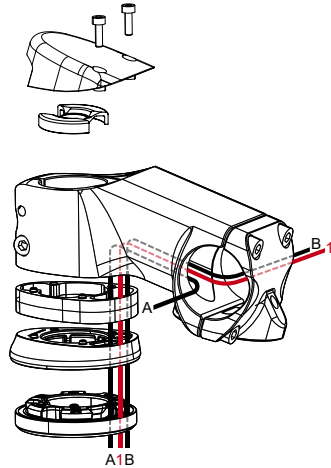
- Shifting (Electric Cables)
- Brake Cables



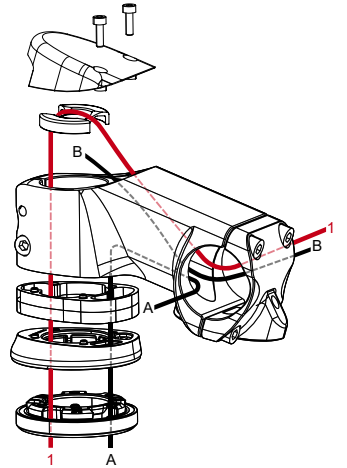
Option 1



Option 2



Option 3



Option 4

WARRANTY POLICY

- Profile Design Worldwide Two Year Limited Warranty.
- Profile Design, LLC (distributor) warrants to the original retail purchaser ("you") that the Profile Design product for which you received this warranty is free from defects in material and workmanship for (2) two years from the date of original retail purchase. For more details on this warranty, its exclusions and/or how to make a claim under the warranty please call +1 310.747.0085 extension 161 or visit www.profile-design.com/pages/warranty



2677 El Presidio Street
Long Beach, CA 90810
Ph: 310-884-7756

www.profile-design.com

© Profile Design LLC