

ATTK XL TOPTUBE STORAGE

REVISION 01-02-06-2023

INTRODUCTION

Thank you for purchasing this Profile Design storage system. These instructions apply to the ATTK-XL Toptube Storage.

Please read these instructions thoroughly before attempting to install this item. Proper installation is required for compliance with Profile Design's warranty policy. If you are not familiar with installation of bicycle accessories, please seek the assistance of your local Profile design dealer by logging on to www.profile-design.com and using "dealer search" or by calling Profile Design's customer service number p.# 888.800.5999.

Note to Dealers: If you install this product for the consumer, please provide him/her with this owner's manual after installation.

Tools and materials required:

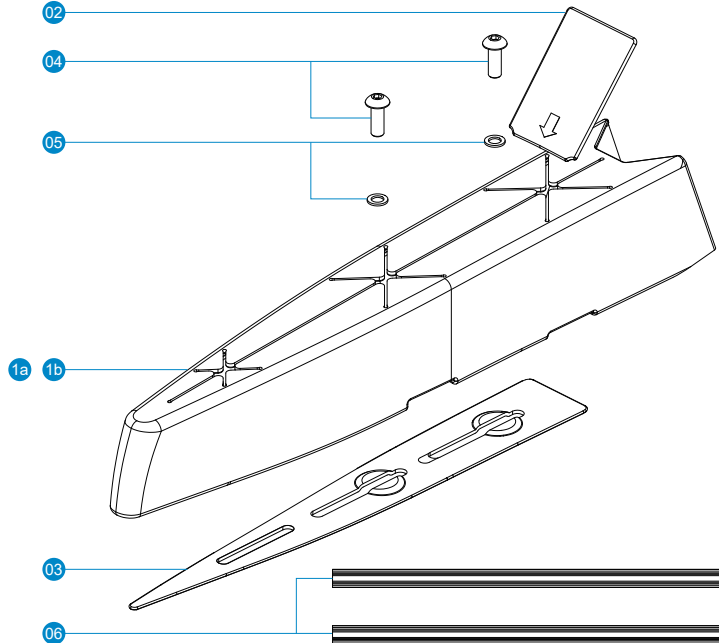
- Grease such as Finishline Premium Grease
- Torque Wrench

Your Toptube Box should contain:

- One (1) Toptube box body
- One (1) Toptube box Cap
- One (1) Toptube box divider
- One (1) Rubber Gasket
- Two (2) M5x20 bolts
- Two (2) Frame Protection Strips Black 9x200mm

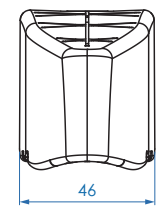
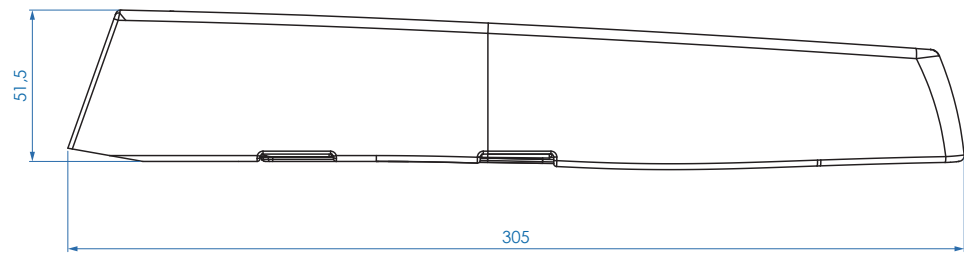
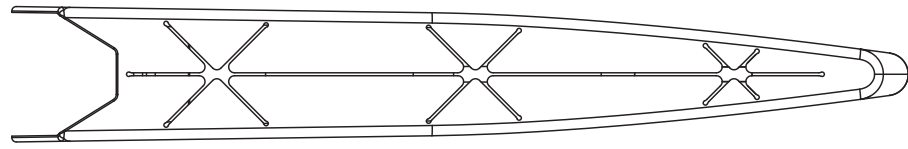
If anything is missing from the toptube box please contact your dealer.

COMPONENT LIST



Ref.#	Part.#	QTY. Req.	Part Description
1a	B201	1	ATTK XL Storage Body
1b	B202		
2	B203	1	Storage Box divider
3	B204	1	ATTK XL Storage Rubber Gasket
4	313569	2	Bolt - M5x20 BHB
5	275565	2	Washer-M5 Silver (ACRM1)
6	295327	2	Strap - Frame Protection Strip Black 9x200 mm

PART DRAWINGS



INSTALLATION INSTRUCTIONS

Installation Instructions: Bolts

1. Ensure the contact area on the frame is clean prior to installation.
2. You may wish to install a protective sticker (not included) on the frame to protect the paint.
3. Remove the bolts from the frame.
4. Flare the cover open so you can access the bolt holes.
5. Using the bolts supplied with the ATTK XL. Slide the bolt through the washer then through the hole in the base of the box. Grease the bolt threads that are sticking out of the box.
6. Align the bolt with the frame boss and carefully thread the bolt into the frame.
7. Repeat steps 5&6 with the second bolt.
8. If you are not satisfied with the proximity of the box to the stem, look at whether changing the bolts to the other holes will alter this in the desired direction.
9. Once satisfied with the location tighten both bolts to the frame manufacturers recommended torque.

Installation Instructions: FPS

1. Ensure the contact area on the frame is clean prior to installation.
2. Thread the zip ties through the slots in the box.
3. Place the box on the top tube and loosely fasten the zip ties around the top tube.
4. Cut the FPS strips to length and place them under the zip ties.
5. Ensure that the zip ties are not going to restrict the brake or gear cables then tighten the ties so the bag is held securely.

WARRANTY POLICY

- Profile Design Worldwide Two Year Limited Warranty.
- Profile Design, LLC (distributor) warrants to the original retail purchaser ("you") that the Profile Design product for which you received this warranty is free from defects in material and workmanship for (2) two years from the date of original retail purchase. For more details on this warranty, its exclusions and/or how to make a claim under the warranty please call +1 310.747.0085 extension 161 or visit www.profile-design.com/pages/warranty



2677 El Presidio Street
Long Beach, CA 90810
Ph: 310-884-7756

www.profile-design.com

© Profile Design LLC