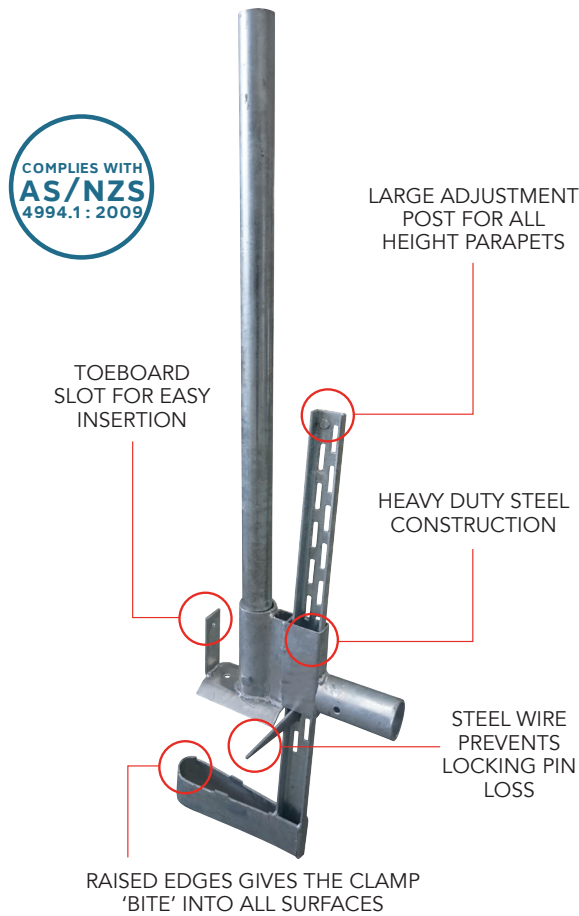


# INSTRUCTIONS – SAFETY, ASSEMBLY & OPERATION

## EDGE PROTECTION

### KING KLAMPZ - MULTI PURPOSE



CODE	DESCRIPTION
KKM1000	Multi Purpose King Klampz

Users of the **SSA King Klampz** system:

Please read the following instructions carefully and do not install King Klampz until the instructions have been read and understood.

**SSA King Klampz** the meets performance requirements of AS/NZS 4994.1 : 2009. Any operator expected to use the King Klampz system should conduct a risk assessment prior to use.



SafeSmart New Zealand  
PO Box 62, Maungaturoto  
Northland, New Zealand 0547  
NZ PHONE +64 800 000 448  
[www.safesmartaccess.co.nz](http://www.safesmartaccess.co.nz)

# INSTRUCTIONS – SAFETY, ASSEMBLY & OPERATION

## EDGE PROTECTION

### **KING KLAMPZ - MULTI PURPOSE**

#### **ASSEMBLY**

Multi-Purpose King Klampz Guardrail Posts can be installed both horizontally for parapet walls and vertically for slab edges, using scaffold tube as a Guardrail Post. It is ideal for flat slabs, parapet walls, tilt up panels or retaining walls.

Multi-Purpose King Klampz are fully adjustable to accommodate different edge thicknesses, up to 450mm thick and can be easily and quickly installed by one person in six easy steps, as explained below.

#### **INSTALLATION PARAMETERS**

Slab thickness: 450 mm Maximum

Post spacing : 2.3m Maximum

Guardrail Height (Top): 900mm to 985mm maximum



**STEP 1:** The two parts of the Klamp are separated by sliding them apart to create an opening to fit the thickness of the edge to be protected, as shown.



**STEP 2:** The Klamp is then positioned so that the exposed edge slots into the opening between the two parts of the Klamp. The base of the upright support rests on the top surface of the exposed edge and the slotted adjustment piece is lifted vertically until it comes into contact with the under surface of the edge.



**STEP 3:** While holding the Klamp in place, insert the wedge into the adjustment slot nearest the floor.



**STEP 4:** Use a mallet to drive home the wedge to tighten the Klamp against the edge. Space adjacent King Klampz at a horizontal distance of no more than 2.3m.



**STEP 5:** Attach Scaffold tube guardrail and midrail horizontally to the upright tube posts using standard scaffold couplers. Top Guardrail is typically set at 900mm above slab level and midrail at 500mm above slab level.



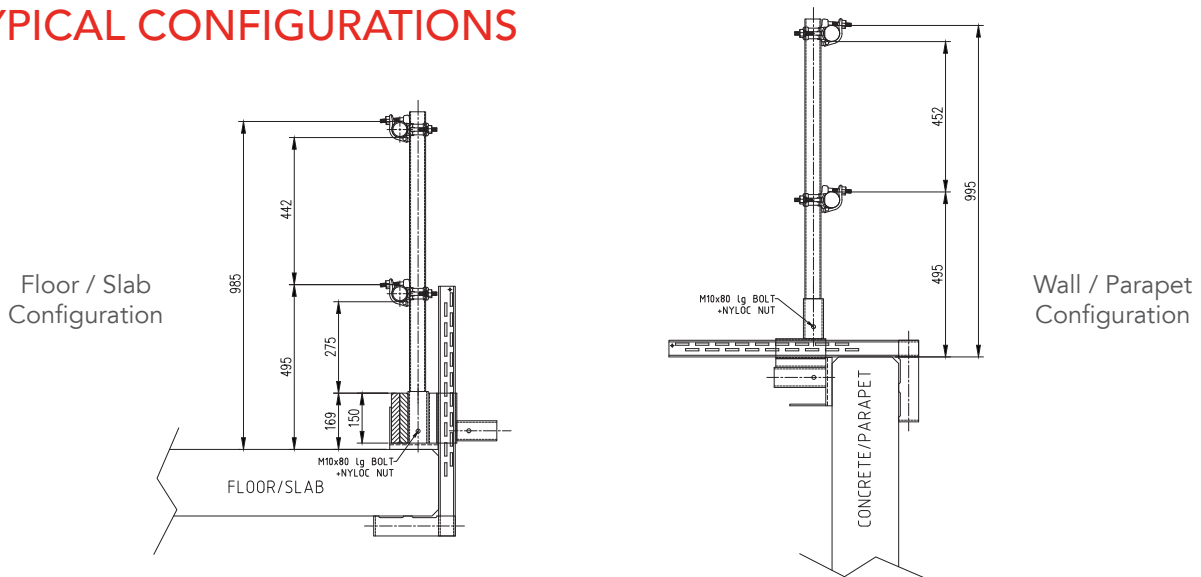
**STEP 6:** Finally, a timber toe board, typically 25mm thick, is slotted in place at the base and secured with nails or screws to the retaining bracket.

# INSTRUCTIONS – SAFETY, ASSEMBLY & OPERATION

## EDGE PROTECTION

### KING KLAMPZ - MULTI PURPOSE

#### TYPICAL CONFIGURATIONS



#### SAFETY

- Do not use damaged or unsafe Klampz.
- Ensure that Floor-Slab or Wall/Parapet has suitable strength to resist loading applied by the King Klampz.
- Do not drop or throw King Klampz from heights.
- Do not overload King Klampz. If King Klampz are overloaded they must be removed from use and checked for suitability before reuse.
- Do not use King Klampz other than in the recommended use.

#### MAINTENANCE

- King Klampz should be checked at least monthly for damage such as bent or missing components, dents stress cracks, weld cracks. Details of checks should be recorded in the owners plant maintenance records.
- Damaged King Klampz are to be removed from service or replaced.
- Do not try and weld or repair King Klampz if damaged.

#### STORAGE

- King Klampz may be stored outdoors. Galvanized Klampz have superior corrosion protection.
- Stack neatly for easy access.
- Do not stack heavy loads onto the King Klampz when not in use.

#### NOTES:

1. In line with SafeSmart Access's commitment to continuous product development and improvement, the information contained in these instructions may be changed without notice.
2. Every effort has been made to give appropriate instructions for the installation assembly of this product, however, SafeSmart Access accepts no responsibility for any loss or damage suffered by any person acting or refraining from action as a result of this information.
3. Should users require any further information or guidance, they are encouraged to contact their local SafeSmart Access outlet.

The manufacturers or supplier will not accept liability for injury or damage resulting from product failure due to misuses, abuse, faulty installation and alteration, lack of reasonable care, lack of adequate training, use not listed under these Operational Safety Instructions or any other failure not related to defects in materials or manufacture.