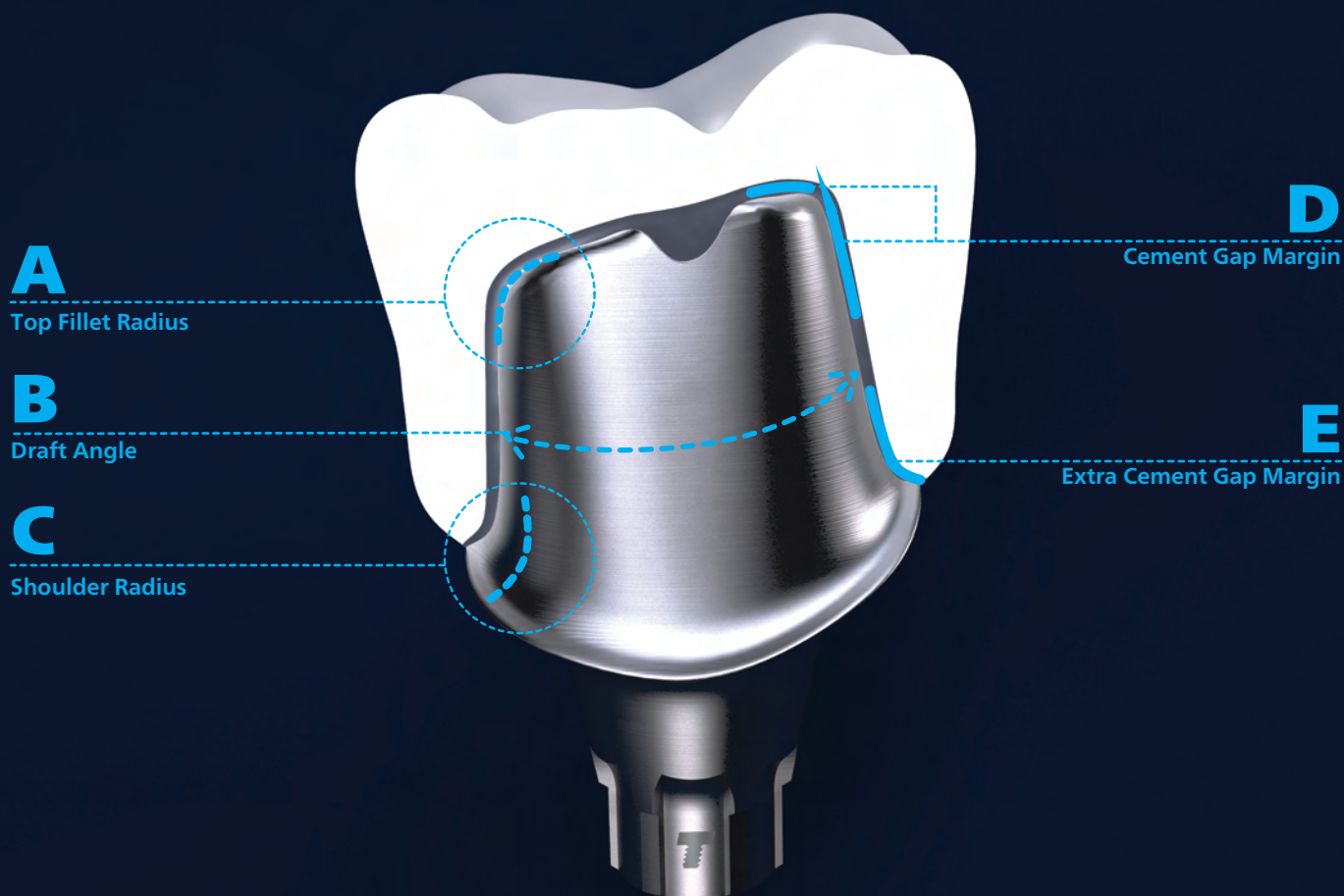


TruAbutment DS

Split-File Parameter



[unit: mm]

	Single Unit		2-Unit	3-Unit
	Zirconia (Dry Milling)	Ceramic (Wet Milling)	Zirconia (Dry Milling)	Zirconia (Dry Milling)
A	R 0.6	R 0.65	R 0.6	R 0.6
B	4 ~ 5°	4 ~ 5°	5 ~ 6°	6 ~ 7°
C	R 0.85	R 0.85	R 0.85	R 0.85
D	0.02	0.06	0.04	0.06
E	0.01	0.06	0.02	0.03

	Milling Machine Tool Spec	
	Zirconia (Dry Milling)	Ceramic (Wet Milling)
Tool 1	Ø 2.0	Ø 2.5
Tool 2	Ø 1.0	Ø 1.0
Tool 3	Ø 0.6	Ø 0.6
Tool 4	Ø 0.3	

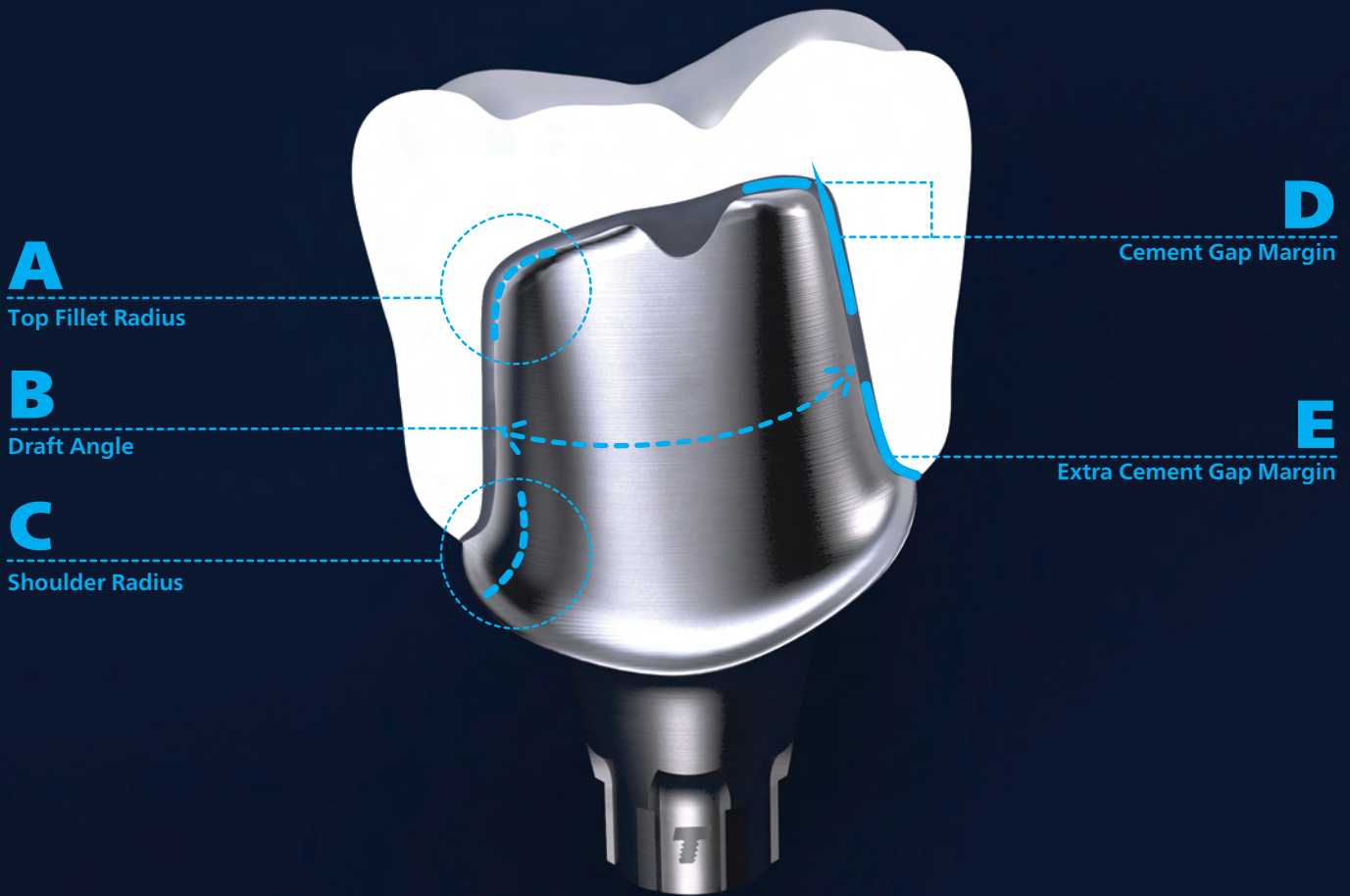
* A, B and C values cannot be less than these values in the chart.
 * Ceramic material is not recommended for bridges.

* The diamond bur is basically based on a tolerance of +/- 0.05.

TruAbutment DS

Split-File Parameter

sirona.



[unit: mm]

	Single Unit		2-Unit	3-Unit
	Zirconia (Dry Milling)	Ceramic (Wet Milling)	Zirconia (Dry Milling)	Zirconia (Dry Milling)
A	R 0.6	R 0.65	R 0.6	R 0.6
B	4 ~ 5°	4 ~ 5°	5 ~ 6°	6 ~ 7°
C	R 0.85	R 0.85	R 0.85	R 0.85
D	0.02	0.06	0.04	0.06
E	0.01	0.06	0.02	0.03

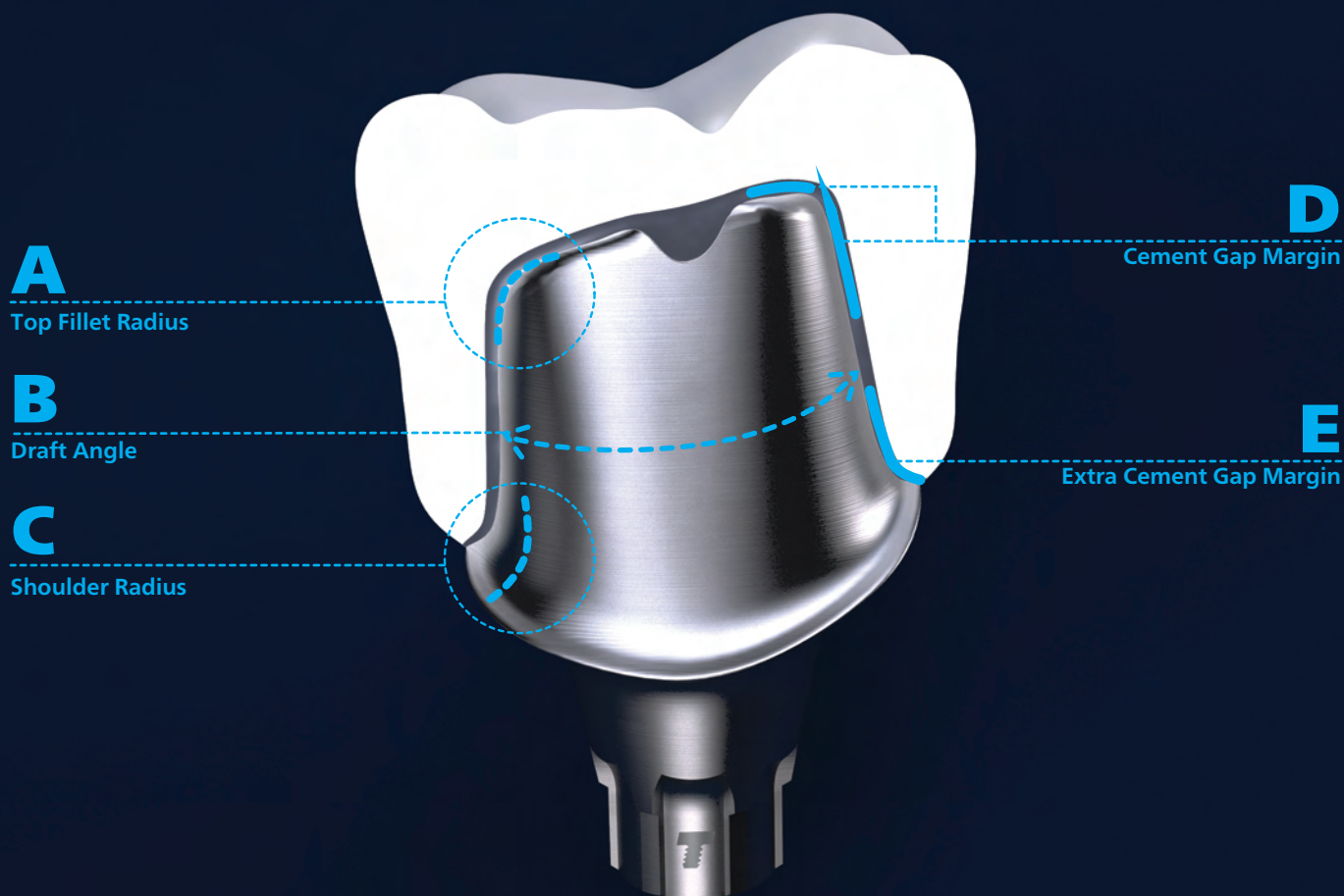
	Milling Machine Tool Spec	
	Zirconia (Dry Milling)	Ceramic (Wet Milling)
Tool 1	Ø 2.5	Ø 2.0
Tool 2	Ø 1.0	Ø 1.2
Tool 3	Ø 0.5	

* A, B and C values cannot be less than these values in the chart.
 * Ceramic material is not recommended for bridges.

* The diamond bur is basically based on a tolerance of +/- 0.05.

TruAbutment DS

Split-File Parameter



[unit: mm]

	Single Unit	2-Unit	3-Unit
	Zirconia (Dry Milling)	Zirconia (Dry Milling)	Zirconia (Dry Milling)
A	R 0.6	R 0.6	R 0.6
B	4 ~ 5°	5 ~ 6°	6 ~ 7°
C	R 0.85	R 0.85	R 0.85
D	0.02	0.04	0.06
E	0.01	0.02	0.03

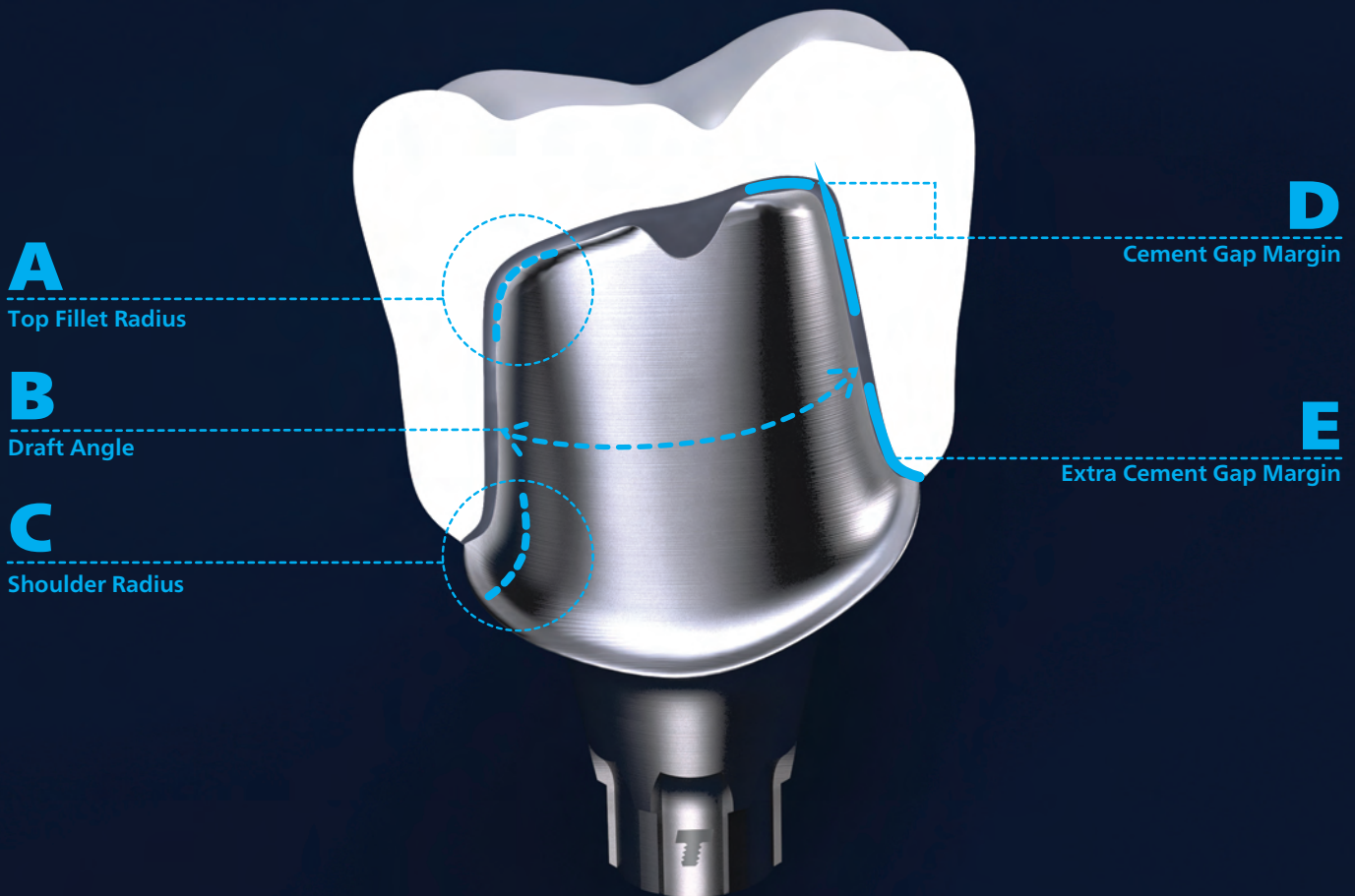
* A, B and C values cannot be less than these values in the chart.
 * Ceramic material is not recommended for bridges.

Milling Machine Tool Spec	
Zirconia (Dry Milling)	
Tool 1	Ø 2.0
Tool 2	Ø 1.0
Tool 3	Ø 0.6

* The diamond bur is basically based on a tolerance of +/- 0.05.

TruAbutment DS

Split-File Parameter



[unit: mm]

	Single Unit	2-Unit	3-Unit
	Zirconia (Dry Milling)	Zirconia (Dry Milling)	Zirconia (Dry Milling)
A	R 0.6	R 0.6	R 0.6
B	4 ~ 5°	5 ~ 6°	6 ~ 7°
C	R 0.85	R 0.85	R 0.85
D	0.02	0.04	0.06
E	0.01	0.02	0.03

Milling Machine Tool Spec	
Zirconia (Dry Milling)	
Tool 1	Ø 2.0
Tool 2	Ø 1.0
Tool 3	Ø 0.6

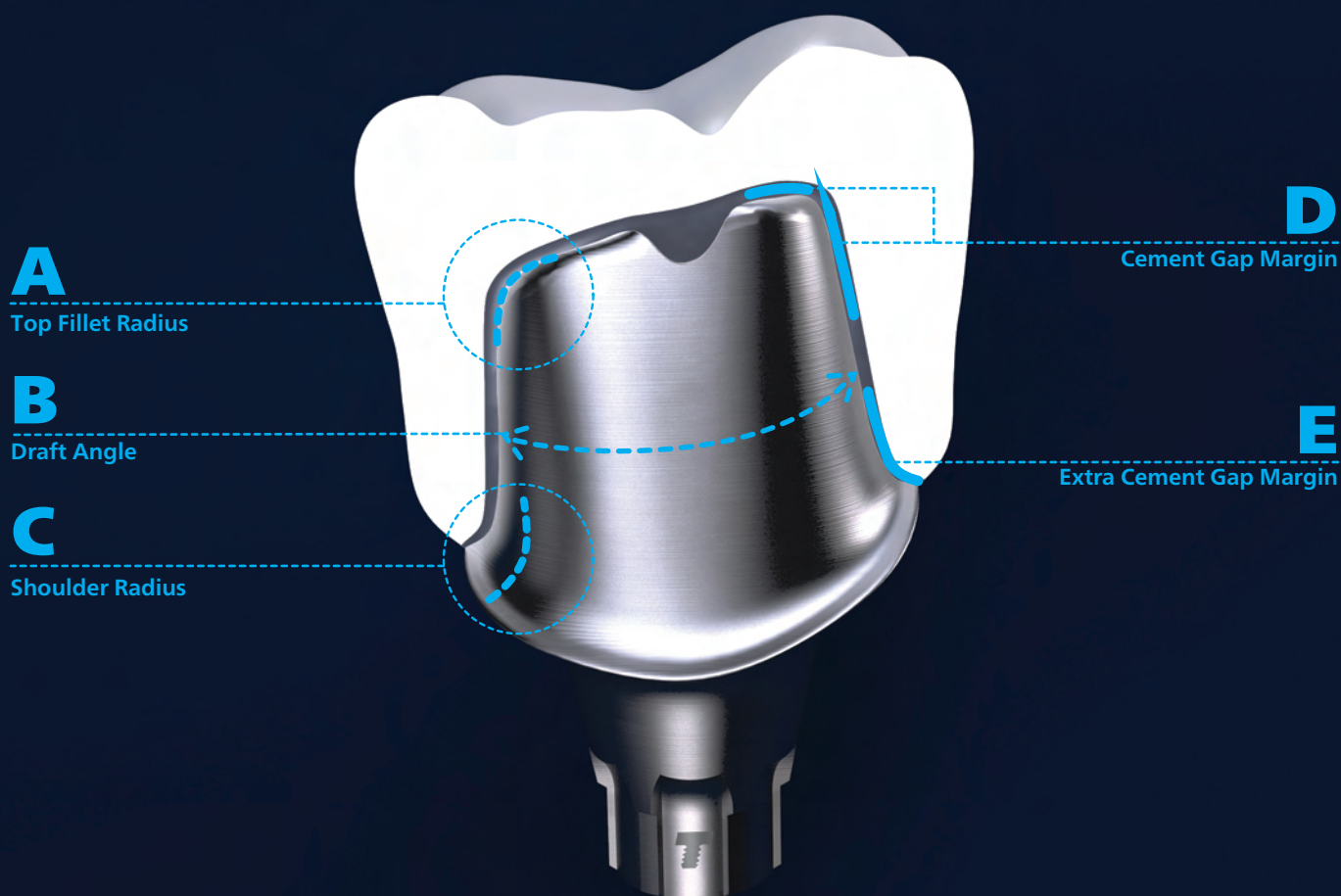
* A, B and C values cannot be less than these values in the chart.
* Ceramic material is not recommended for bridges.

* The diamond bur is basically based on a tolerance of +/- 0.05.

TruAbutment DS

Split-File Parameter

Zirkonzahn®



[unit: mm]

	Single Unit	2-Unit	3-Unit
	Zirconia (Dry Milling)	Zirconia (Dry Milling)	Zirconia (Dry Milling)
A	R 0.6	R 0.6	R 0.6
B	4 ~ 5°	5 ~ 6°	6 ~ 7°
C	R 0.85	R 0.85	R 0.85
D	0.02	0.04	0.06
E	0.01	0.02	0.03

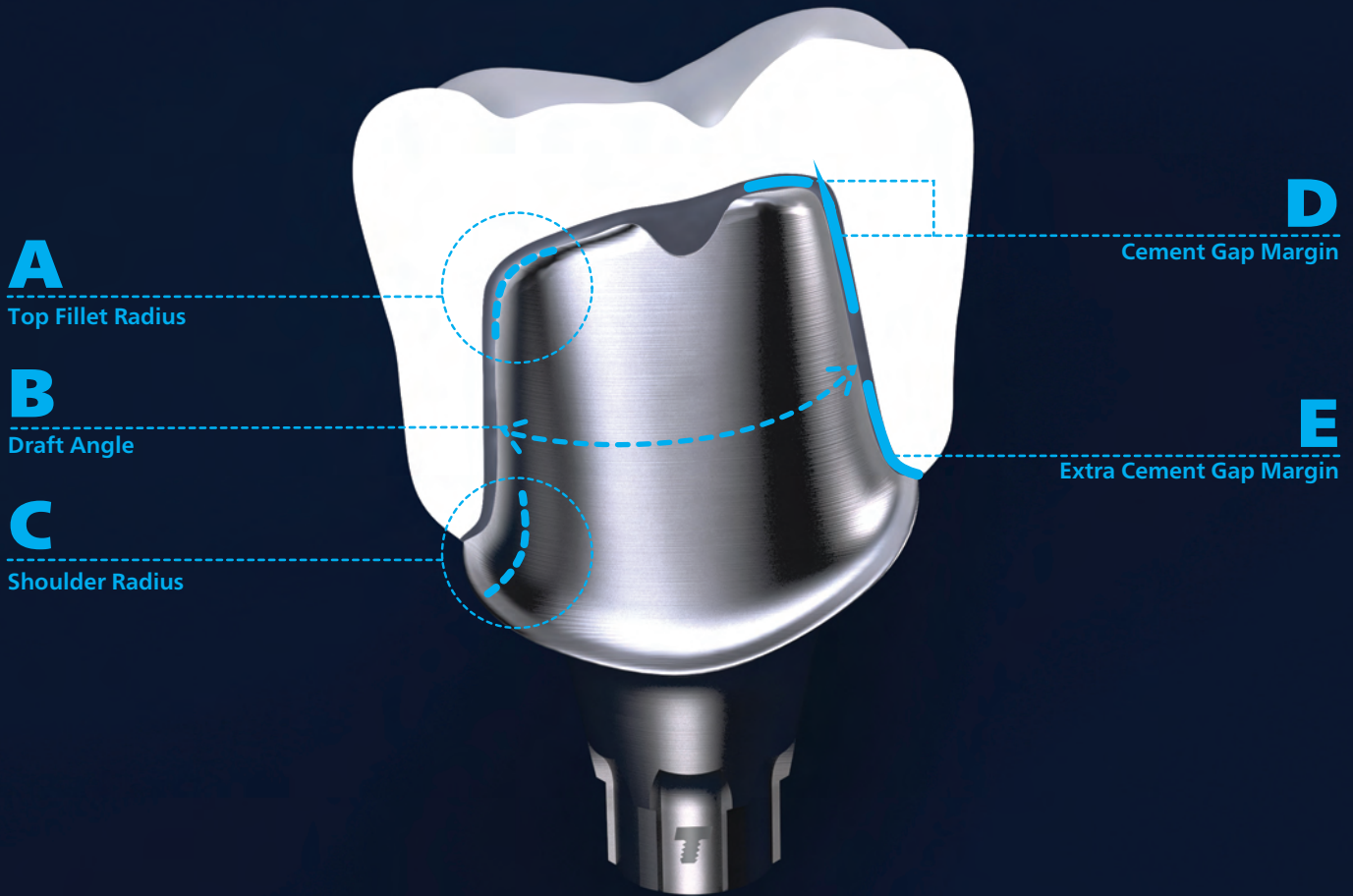
Milling Machine Tool Spec	
Zirconia (Dry Milling)	
Tool 1	Ø 2.5
Tool 2	Ø 1.0
Tool 3	Ø 0.5

* A, B and C values cannot be less than these values in the chart.
 * Ceramic material is not recommended for bridges.

* The diamond bur is basically based on a tolerance of +/- 0.05.

TruAbutment DS

Split-File Parameter



[unit: mm]

	Single Unit	2-Unit	3-Unit
	Zirconia (Dry Milling)	Zirconia (Dry Milling)	Zirconia (Dry Milling)
A	R 0.6	R 0.6	R 0.6
B	4 ~ 5°	5 ~ 6°	6 ~ 7°
C	R 0.85	R 0.85	R 0.85
D	0.02	0.04	0.06
E	0.01	0.02	0.03

Milling Machine Tool Spec	
Zirconia (Dry Milling)	
Tool 1	Ø 2.0
Tool 2	Ø 1.0
Tool 3	Ø 0.6

* A, B and C values cannot be less than these values in the chart.
 * Ceramic material is not recommended for bridges.

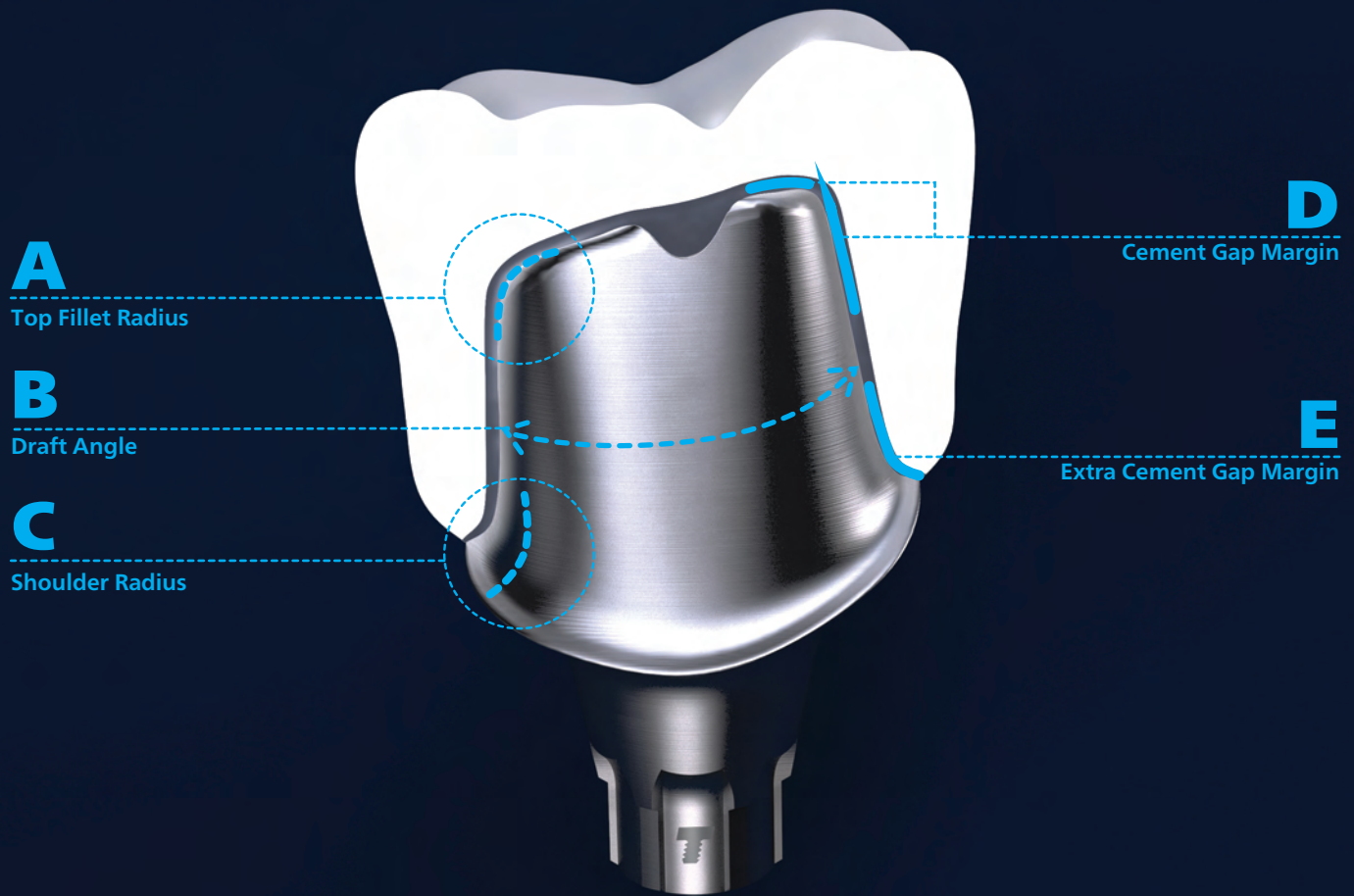
* The diamond bur is basically based on a tolerance of +/- 0.05.

TruAbutment DS



Split-File Parameter

PLANMILL



[unit: mm]

Single Unit	
Ceramic (Wet Milling)	
A	R 0.65
B	4 ~ 5°
C	R 0.85
D	0.06
E	0.06

Milling Machine Tool Spec	
Ceramic (Wet Milling)	
Tool 1	Ø 1.55
Tool 2	Ø 1.65
Tool 3	Ø 1.05

* A, B and C values cannot be less than these values in the chart.

* Ceramic material is not recommended for bridges.

* The diamond bur is basically based on a tolerance of +/- 0.05.