

TruAbutment Digital Solutions

Angulated Screw Channel (ASC)



truabutment.com

The "TRU" way to angulate your custom abutment - TruAbutment ASC

Place the screw access channel
anywhere on the bridge and
hybrid restorations to correct
angulation issues effortlessly.



TruAbutment ASC screw driver
and screws are uniquely designed
by TruAbutment for easy access
and engagement.

**1 complimentary
ASC ratchet driver** (AADR135MG)
is provided with every
TruAbutment ASC abutment



truabutment.com

A TruAbutment DS ASC Universal Screwdriver is required for every TruAbutment ASC abutment delivery.

Exclusive ASC Screw



Hex Surface



Front

ASC Parts / Driver Kit

TruAbutment ASC hand-use screwdriver and ratchet drivers will be available in two different lengths.

* May be universally used across all available implant systems for TruAbutment ASC.

* Refer to chart on back for availability

Torque Wrench

\$220



* Refer to chart on back for recommended torque value (used with Ratchet Drivers)

TW 40



ASC-KIT

\$590

TruAbutment ASC Kit includes

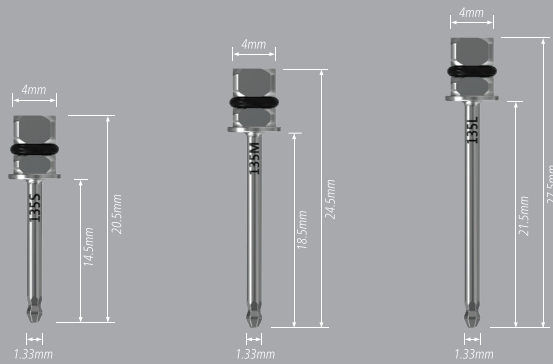
- 1 x Torque Wrench
- 1 x Medium Ratchet Driver
- 1 x Long Ratchet Driver
- 1 x Medium Hand Driver
- 1 x Long Hand Driver



truabutment.com

Ratchet Drivers

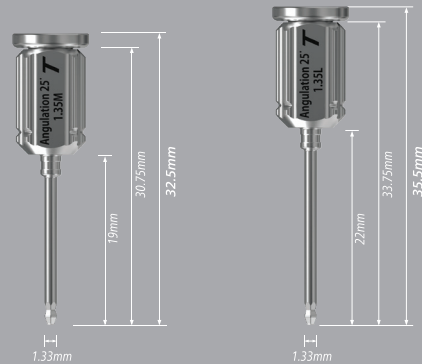
\$59



AADR 135S [Ratchet Type 1.35 x 20.5] **AADR 135M** [Ratchet Type 1.35 x 24.5] **AADR 135L** [Ratchet Type 1.35 x 27.5]

Hand Drivers

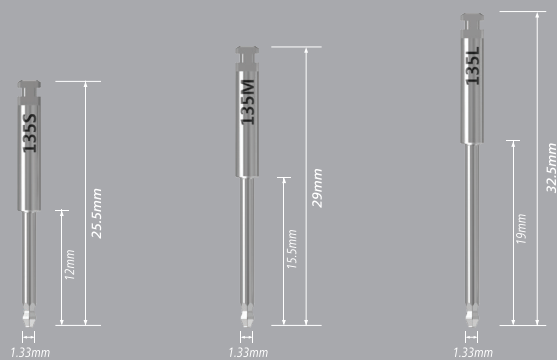
\$59



ASD 135M [Hand Type 1.35 x 19] **ASD 135L** [Hand Type 1.35 x 22]

Latch (Hand Piece) Drivers

\$59



AADH-135M **AADH-135L**

Now Available

| Manufacturer | Brand | ASC Recommended Screw Torque Value |
|------------------|-------------------------------------|------------------------------------|
| BioHorizons | Internal 3.0* | 25N-Cm |
| | Internal 3.5 | 25N-Cm |
| | Internal 4.5 | 25N-Cm |
| | Internal 5.7 | 25N-Cm |
| Dentium | SuperLine | 25N-Cm |
| Dentsply Sirona | Astra Tech™ OsseoSpeed® EV 3.0* | 25N-Cm |
| | Astra Tech™ OsseoSpeed® EV3.6* | 25N-Cm |
| | Astra Tech™ OsseoSpeed® EV4.2* | 25N-Cm |
| | Astra Tech™ OsseoSpeed® EV4.8* | 25N-Cm |
| | Astra Tech™ OsseoSpeed® EV5.4* | 25N-Cm |
| | Astra Tech™ OsseoSpeed® TX3.0 | 15N-Cm |
| | Astra Tech™ OsseoSpeed® TX3.5 - 4.0 | 20N-Cm |
| | Astra Tech™ OsseoSpeed® TX4.5 - 5.0 | 25N-Cm |
| DIO | UF(II) Submerged Narrow | 15N-Cm |
| | UF(II) Submerged Regular | 25N-Cm |
| Hiossen (Osstem) | Hiossen ET (Osstem ET) Mini | 20N-Cm |
| | Hiossen ET (Osstem ET) Regular | 25N-Cm |
| Implant Direct | Legacy 3.0* | 25N-Cm |
| Keystone Dental | PrimaConnex™/Genesis™ SD | 25N-Cm |
| | PrimaConnex™/Genesis™ RD | 25N-Cm |
| | PrimaConnex™/Genesis™ WD | 25N-Cm |
| MegaGen | AnyRidge | 25N-Cm |
| MIS | C1 NP* | 25N-Cm |
| | C1 SP* | 25N-Cm |
| | C1 WP* | 25N-Cm |
| Neodent | GM* | 25N-Cm |
| Neoss | ProActive Straight 3.25* | 25N-Cm |
| | ProActive 3.5 - 6.0* | 25N-Cm |
| Nobel Biocare | NobelActive™ NP | 25N-Cm |
| | NobelActive™ RP | 25N-Cm |
| | NobelActive™ WP | 25N-Cm |
| | NobelReplace™ NP | 25N-Cm |
| | NobelReplace™ RP | 25N-Cm |
| | NobelReplace™ WP | 25N-Cm |
| | NobelReplace™ 6.0 | 25N-Cm |
| Straumann | BLX RB* | 25N-Cm |
| | Bone Level SC* | 25N-Cm |
| | Bone Level NC | 25N-Cm |
| | Bone Level RC | 25N-Cm |
| URIS | OMNI Narrow | 20N-Cm |
| | OMNI Regular | 25N-Cm |
| Zimmer Biomet | Biomet 3i Certain™ 3.4 | 20N-Cm |
| | Biomet 3i Certain™ 4.1 | 20N-Cm |
| | Biomet 3i Certain™ 5.0 | 20N-Cm |
| | Biomet 3i Certain™ 6.0 | 20N-Cm |
| | Eztetic 3.1* | 25N-Cm |
| | TSV 3.5 | 25N-Cm |
| | TSV 4.5 | 25N-Cm |
| TSV 5.7 | 25N-Cm | |

*Additional charge of \$30/unit

Instructions

—TruAbutment DS ASC

1



Insert the screw into the access hole **FIRST**.

You will **NOT** be able to insert the screw through the angulated screw channel after cementing.

2



Place the cotton/teflon tape to prevent excess cement entering the access hole.

3



Cement the crown onto the abutment. **Then** remove the cotton/teflon tape.

4



Screw the final restoration at TruAbutment ASC recommended final torque value.

(refer to the chart to the left).



truabutment.com

TruAbutment Inc.

17666 Fitch,
Irvine, CA 92614 USA

T. 714. 956. 1488
F. 714. 956. 1491

truabutment.com
info@truabutment.com