

TRUABUTMENT DIGITAL SOLUTION



**Angulated
Screw
Channel**



truabutment.com

Instructions

TruAbutment DS ASC

1



First, insert the screw into the access hole.

You will NOT be able to insert the screw through the angulated screw channel after cementing.

2



Place the cotton/Teflon tape to prevent excess cement entering the access hole.

3



Cement the crown onto the abutment, then remove the cotton/Teflon tape.

4



Screw the final restoration at TruAbutment ASC recommended final torque value.

(Refer to the chart on the left).

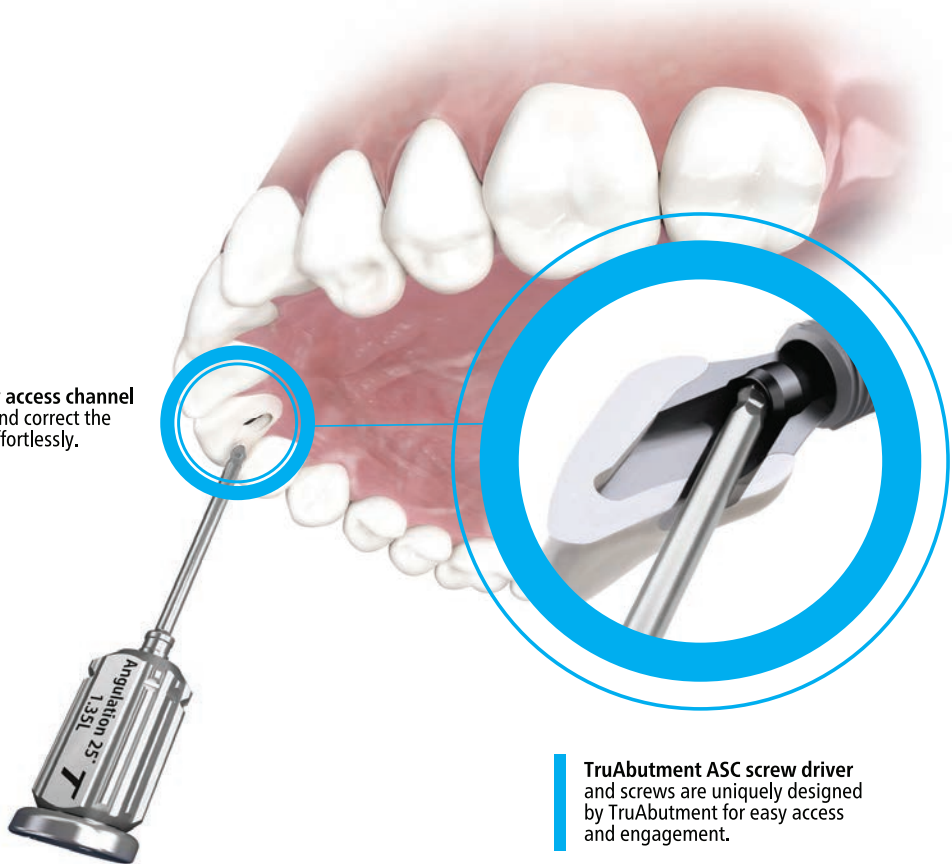
TRUABUTMENT Service List

Manufacturer	Brand	ASC Recommended Screw Torque Value
BioHorizons	* Internal 3.0	25N·Cm
	Internal 3.5	25N·Cm
	Internal 4.5	25N·Cm
	Internal 5.7	25N·Cm
Dentium	SuperLine	25N·Cm
Dentsply Sirona	* Astra Tech™ OsseoSpeed® EV 3.0	25N·Cm
	* Astra Tech™ OsseoSpeed® EV 3.6	25N·Cm
	* Astra Tech™ OsseoSpeed® EV 4.2	25N·Cm
	* Astra Tech™ OsseoSpeed® EV 4.8	25N·Cm
	* Astra Tech™ OsseoSpeed® EV 5.4	25N·Cm
	Astra Tech™ OsseoSpeed® TX 3.0	15N·Cm
	Astra Tech™ OsseoSpeed® TX 3.5 - 4.0	20N·Cm
	Astra Tech™ OsseoSpeed® TX 4.5 - 5.0	25N·Cm
DIO	UF (II) Submerged Narrow	15N·Cm
	UF (II) Submerged Regular	25N·Cm
Hiossen (Osstem)	Hiossen ET (Osstem ET) Mini	20N·Cm
	Hiossen ET (Osstem ET) Regular	25N·Cm
Implant Direct	* Legacy 3.0	25N·Cm
Keystone Dental	PrimaConnex™/Genesis™ SD	25N·Cm
	PrimaConnex™/Genesis™ RD	25N·Cm
	PrimaConnex™/Genesis™ WD	25N·Cm
MegaGen	AnyRidge	25N·Cm
MIS	* C1 NP	25N·Cm
	* C1 SP	25N·Cm
	* C1 WP	25N·Cm
Neodent	* GM	25N·Cm
Neoss	* ProActive Straight 3.25	25N·Cm
	* ProActive 3.5 - 6.0	25N·Cm
Nobel Biocare	NobelActive™ NP	25N·Cm
	NobelActive™ RP	25N·Cm
	NobelActive™ WP	25N·Cm
	NobelReplace™ NP	25N·Cm
	NobelReplace™ RP	25N·Cm
	NobelReplace™ WP	25N·Cm
	NobelReplace™ 6.0	25N·Cm
Straumann	* BLX RB	25N·Cm
	* Bone Level SC	25N·Cm
	Bone Level NC	25N·Cm
	Bone Level RC	25N·Cm
URIS	OMNI Narrow	20N·Cm
	OMNI Regular	25N·Cm
Zimmer Biomet	Biomet 3i Certain™ 3.4	20N·Cm
	Biomet 3i Certain™ 4.1	20N·Cm
	Biomet 3i Certain™ 5.0	20N·Cm
	Biomet 3i Certain™ 6.0	20N·Cm
	* Eztetic 3.1	25N·Cm
	TSV 3.5	25N·Cm
	TSV 4.5	25N·Cm
TSV 5.7	25N·Cm	

*Additional charge of \$30/unit

The "TRU" way to angulate your custom abutment - **TruAbutment ASC**

Place the screw access channel where needed and correct the insertion path effortlessly.



TruAbutment ASC screw driver and screws are uniquely designed by TruAbutment for easy access and engagement.

TruAbutment ASC Screw



Top

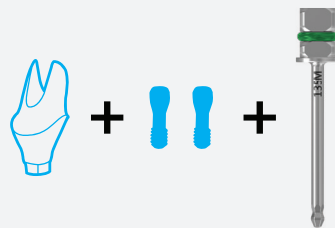


Front



Easy & Safe Delivery Every Time. Esthetics & Functionality Combined.

1 complimentary
ASC ratchet driver
is provided with every
TruAbutment ASC abutment



ASC Drivers / Driver Kit

TruAbutment ASC hand-use screwdriver and ratchet drivers will be available in various lengths.

* May be universally used across all available implant systems for TruAbutment ASC.

* Refer to the service list for availability

ASC Kit

\$590



ASC01

INSIDE THE KIT:

1x Torque Wrench	(TW40)
1x Medium Ratchet Driver	(AADR135M)
1x Long Ratchet Driver	(AADR135L)
1x Medium Hand Driver	(ASD135M)
1x Long Hand Driver	(ASD135L)

Torque Wrench

\$220

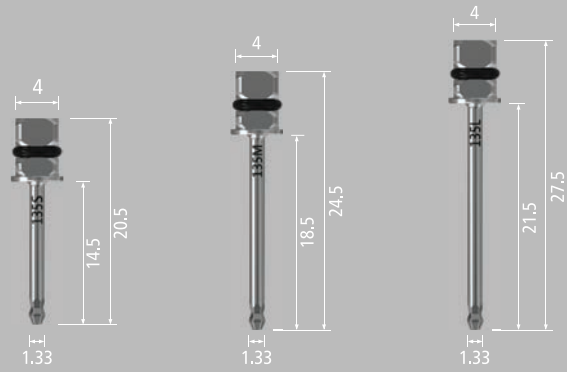


TW40

*Refer to the service list for recommended torque value (used with Ratchet Drivers)

Ratchet Drivers

\$59

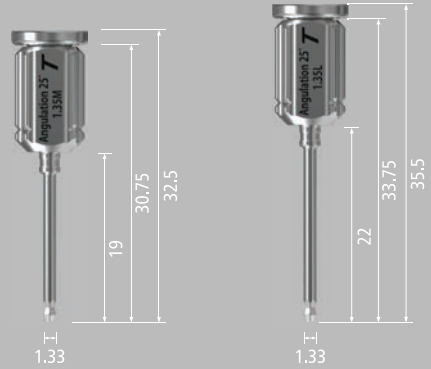


Unit: mm

AADR135S [Ratchet Type 1.35 x 20.5] AADR135M [Ratchet Type 1.35 x 24.5] AADR135L [Ratchet Type 1.35 x 27.5]

Hand Drivers

\$59

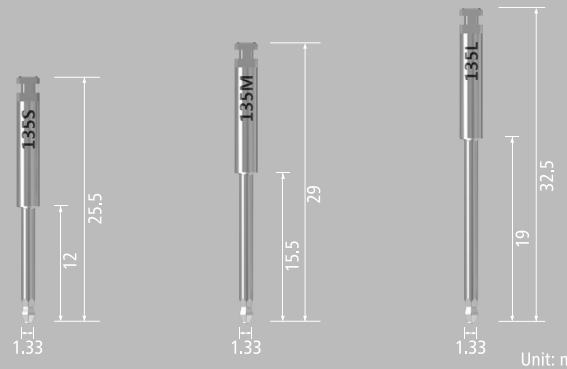


Unit: mm

ASD135M [Hand Type 1.35 x 19] ASD135L [Hand Type 1.35 x 22]

Latch (Hand Piece) Drivers

\$59



Unit: mm

AADH135S AADH135M AADH135L



truabutment.com

TruAbutment Inc.

17666 Fitch,
Irvine, CA 92614 USA

T. 714. 956. 1488
F. 714. 956. 1491

truabutment.com
info@truabutment.com