



International Mercantile

Manufacturer/Distributor - Since 1971

356 Parts Brochure

International Mercantile

Manufacturer/Worldwide Distributor, Since 1971

International Mercantile has a full service "in-house" machine shop and fabricating facility, and is the source for 95% of the products listed, so delivery is never a problem. Unless marked inquire all products are in stock and can be shipped immediately. All rubber products are made of Dupont E.P.D.M. (Nordel) or Dupont neoprene. Oxidation and ozone cracking are nonexistent with these two materials. Source referencing: The Dupont Company. All products marked O.E.M. are "original equipment manufacturer" and have absolutely no guarantee with respect to oxidation and ozone cracking. Some items listed in price schedule are not shown on picture listing. If you do not find the item needed please call, fax, or e-mail as new products are being developed monthly.

Special Services

- Original German Tops and Headliners
- Original Carpet kits (all colors, allow 1-2 week delivery).
- Vinyl and Leather Interiors
- Custom Fabrication. Please call to inquire for details

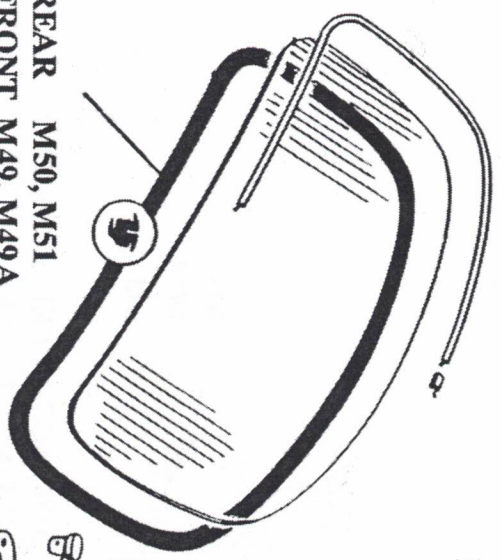
5115 Avenida Encinas - Suite C - Carlsbad, CA. 92008-8000

P.O. Box 2818 - Del Mar, CA. US.A. 92014-5818


International 1(760)438.2205

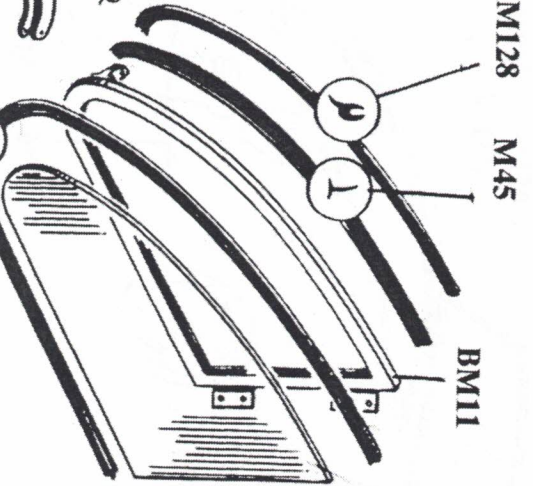
Fax 1(760) 438.1428

www.internationalmercantile@hotmail.com

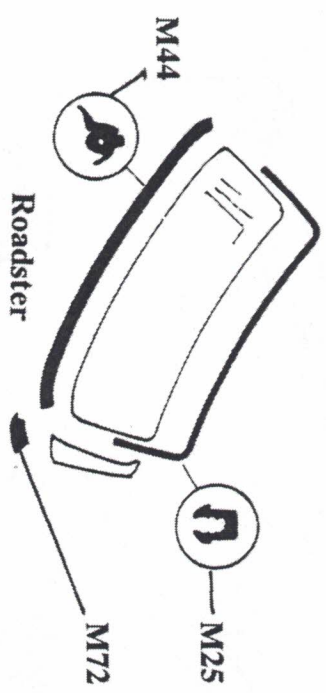
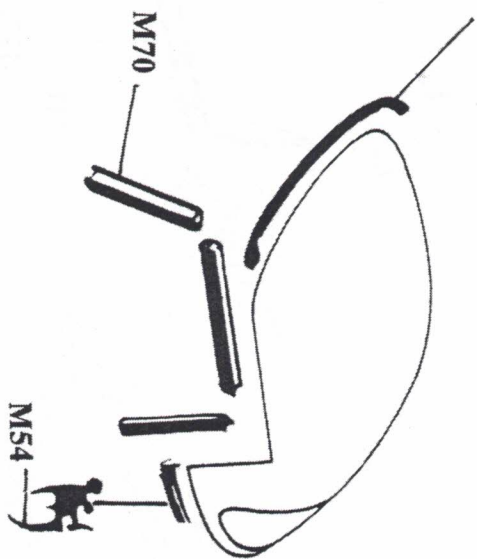


REAR M50, M51
FRONT M49, M49A
or M123

Rubber Plug for Windshield Torsion Rod Hole/
Cabriolets (not pictured)
M172

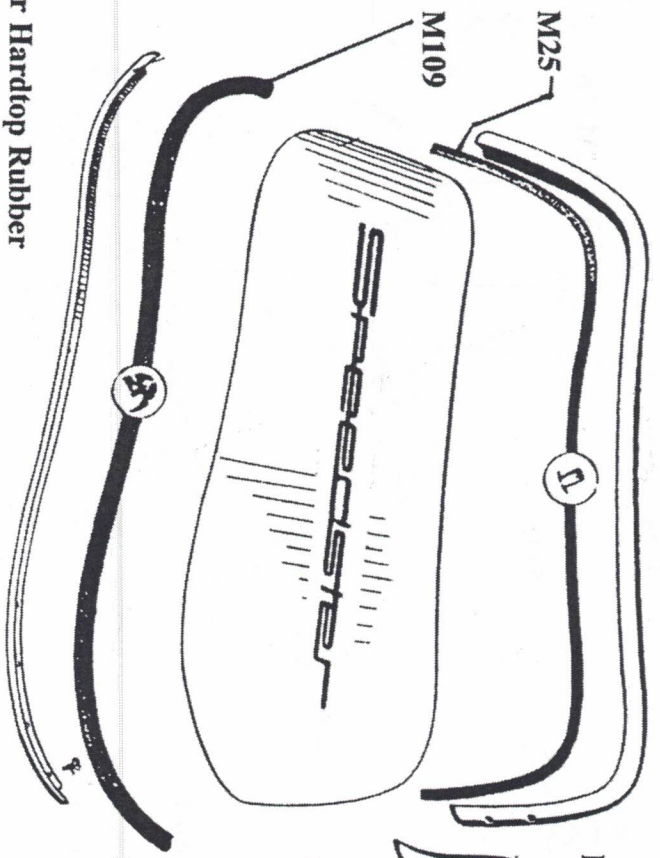


M117 or M37



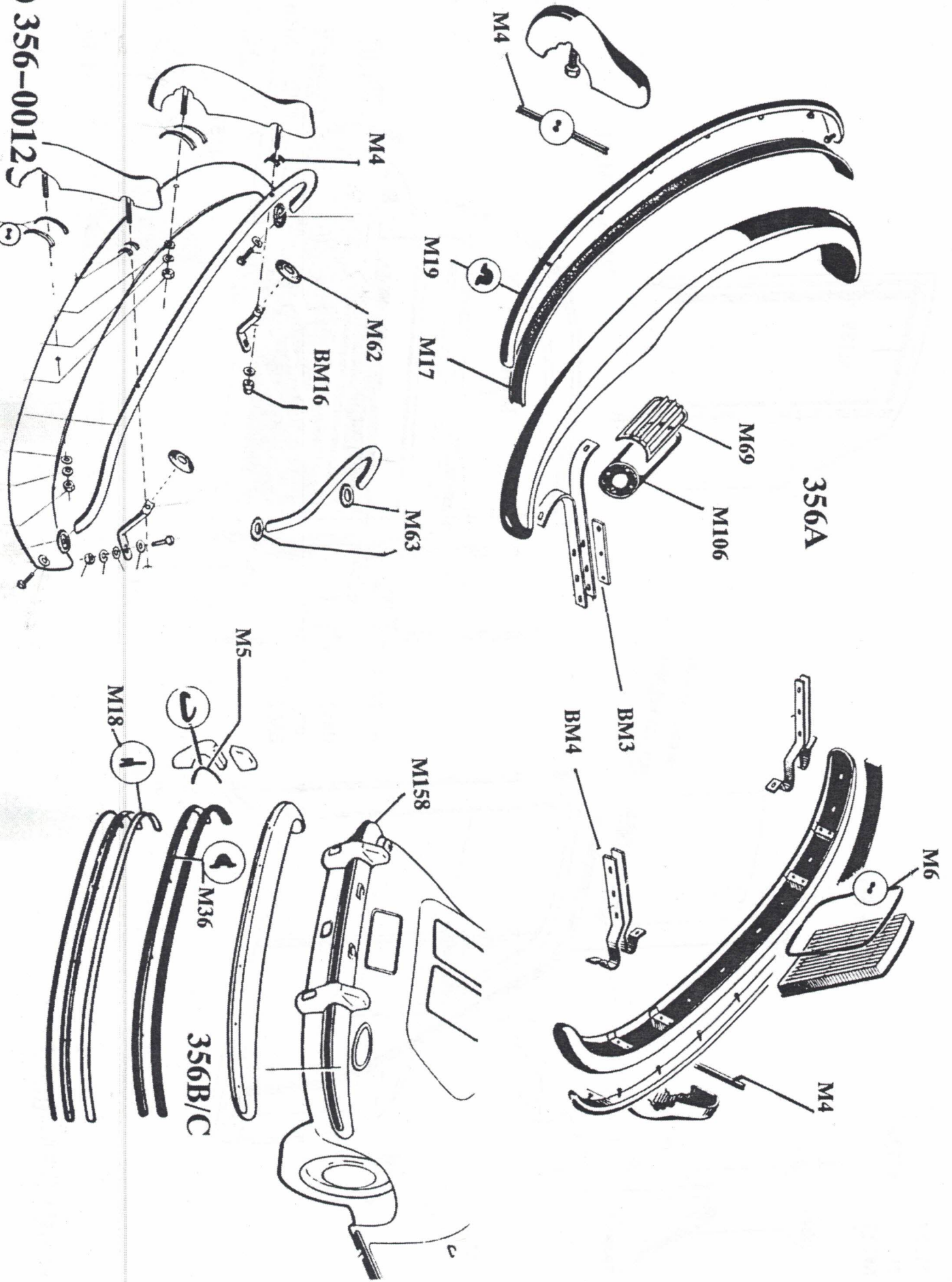
1959 .D.

M102



M108





(800) 356-0012

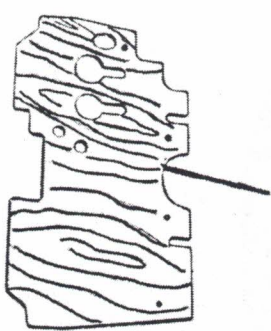
M83, M83A, M85,
M85A or M200

M82, M84 or M93

M81 or M173

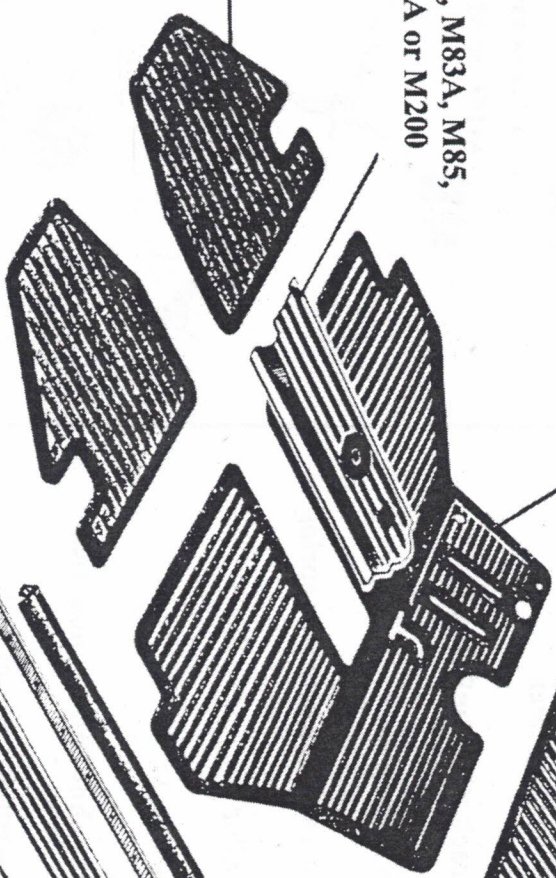
M24

M94 or M94A



M2 and M3
Floor Board Hold Down Clips
M198 (not pictured)

CARPET KITS
Please Call



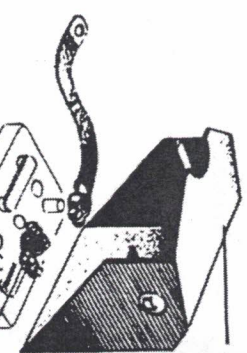
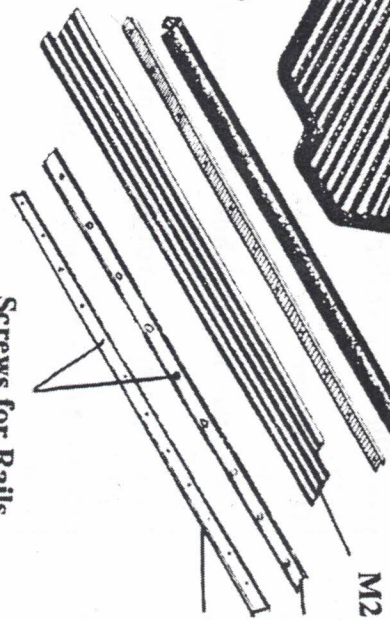
M1

M2 and M3

M38

M39

Screws for Rails
M40, M41

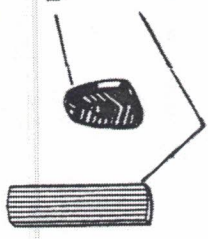


M111 or M111A

Pedal Pads
Accelerator
M113

Brake/Clutch
M92 or 178

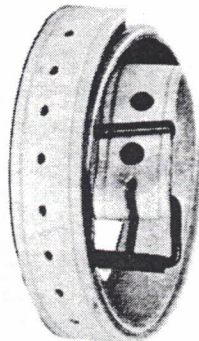
Rubber pedal buffer
M171



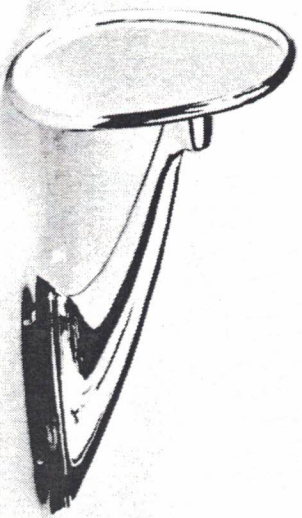
1(800) 356-0012



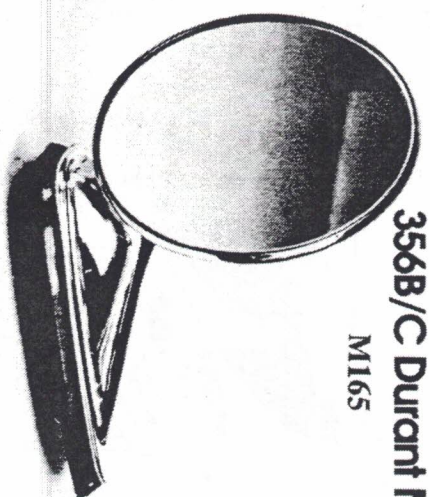
Plastic Knobs
M184, M187, M188



M22



356A Aero Mirror M166



356B/C Durant Mirror
M165

1 (800) 356-0012

Miscellaneous Parts Not Pictured

- Battery hold-down strap M133
- Rubber guard for fuel lid cover M141
- Gas flap around gas filler neck M161
- .Leitz. luggage rack white buffer pads M163
- Door Plug at top leading edge M164
- Center mount for rear compensator spring M181
- Gas filler neck collar M182
- Oil filler container seal M201
- Transmission gear shift housing nose seal M202
- Steering column - rubber mount at dash M203
- 356A - Motor balance tube elbow M205
- 356/A Base seal for optional vent windows M206
- Horn button inner foam rubber seal M207
- Ignition wire rubber at shroud (in wire loop) M209
- Rubber collar (lower) for steering column M210
- Fresh air vent seal & Zenith air cleaner M212



Ignition Wire Grommet
M167



M179

Fuel cock assembly



M156 or M160



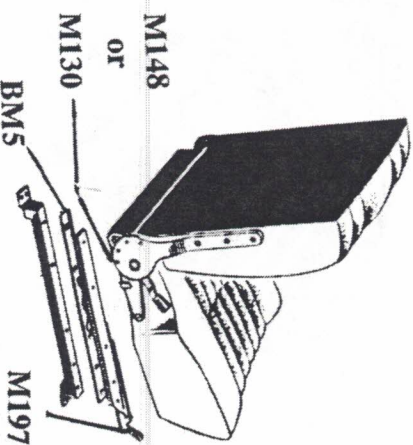
Grab Handle
Rubber M214



M129, M129A



or
M131



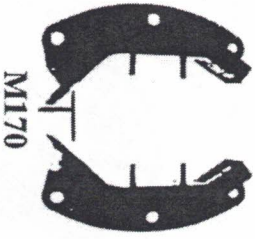
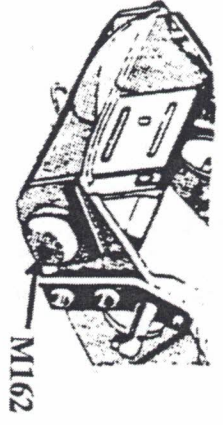
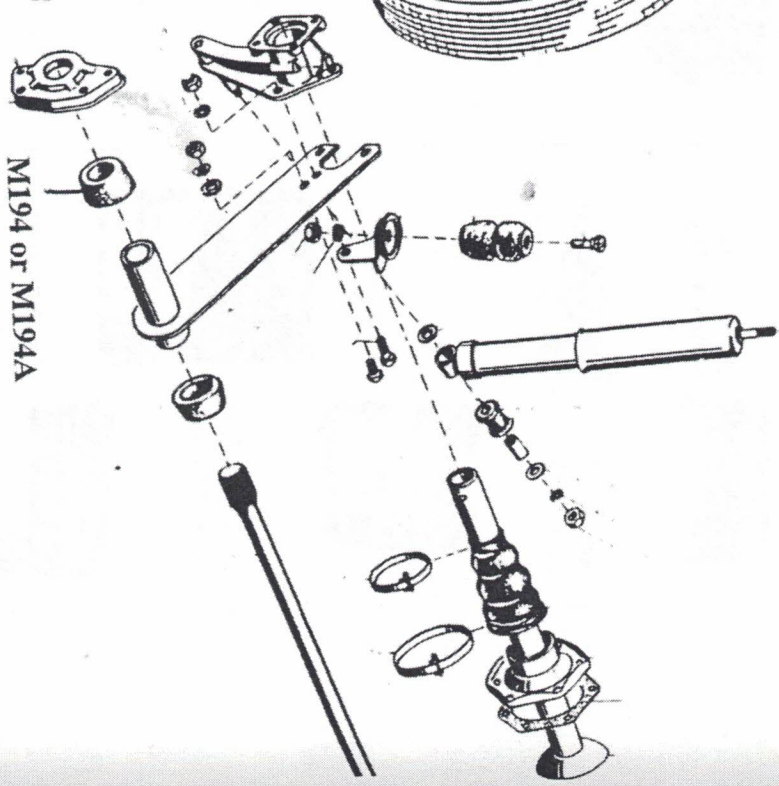
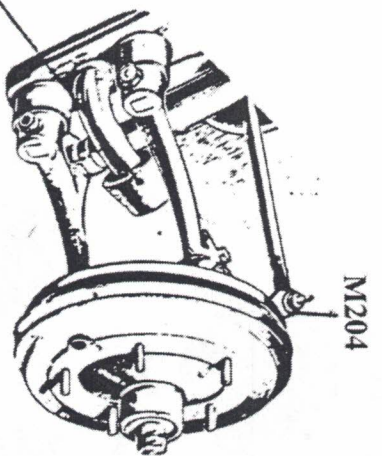
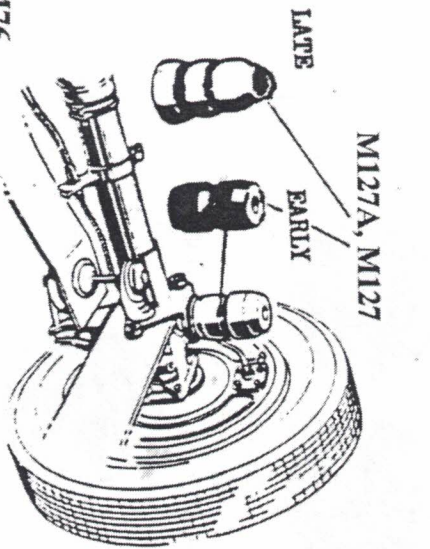
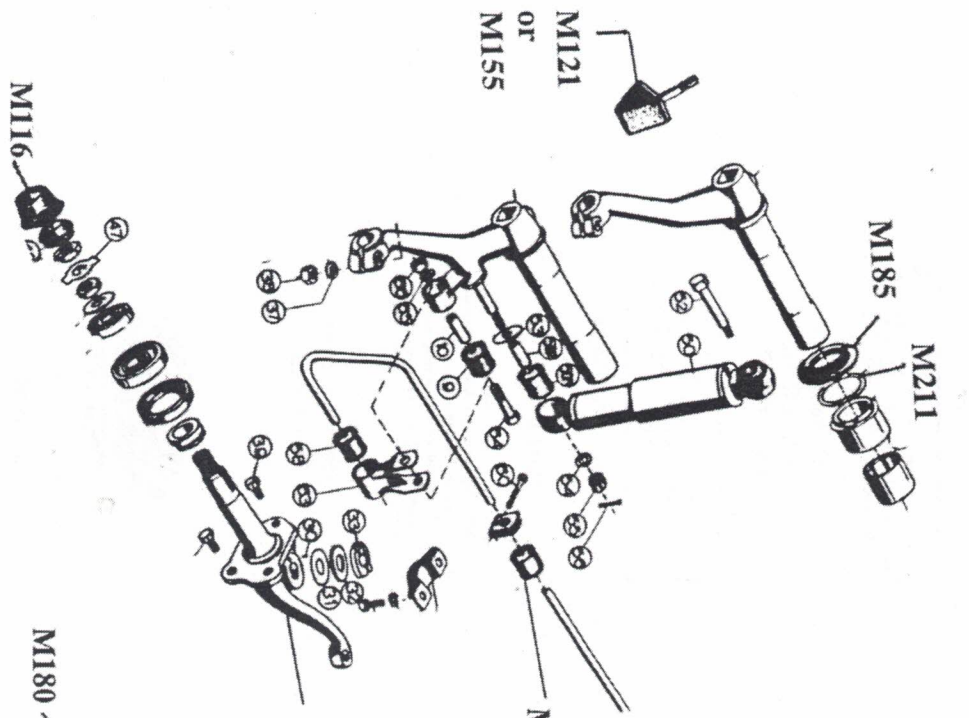
M148

or

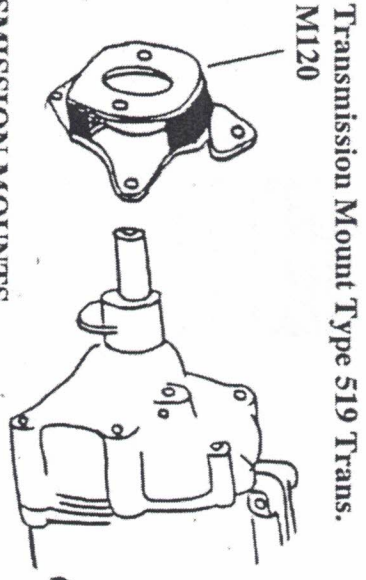
M130

BMS

M197



TRANSMISSION MOUNTS





Reutter Chassis Plate
Part # M55

Reutter Paint Plate
Part # M73



Drauz Chassis Plate
Part # M74

Dieteren Ch. Plate
Part # M119



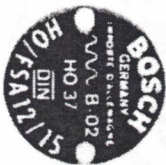
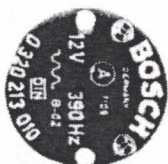
Karmann Chassis Plate
Part # M75



Porsche Chassis Plate
Part # M132



Bosch Horn Plates,
2-hole, 009 & 010
Part # M145 Part # M146



Bosch Horn Plates,
2-hole, 12/15 & 12/16
Part # M144



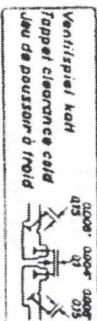
Bosch Horn Plate, 2-hole, 007
Part # M143



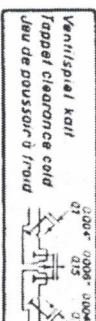
Bosch Horn Plates, 2-hole, 6/3 & 6/4
Part # M87



Bosch Horn Plates, 1-hole, 6/3 & 6/4
Part # M110A Part # M110



Valve Clearance Decal,
later N. S. C. 912
Part # M12



Valve Clearance Decal,
Super-90, 356SC
Part # M31B

Achtung! nur ein Luftfilter-Element
nicht in Filtergehäuse einsetzen,
Einsatz bei Verschmutzung oder
nach ca 20000 km ersatzern.

Air Filter Decal,
Zenith air cleaners
Part #M13



Oil Filter Decal, H-Filter, on cover
Part # M14



Part # M31A

*FOR RIVET SETS SEE PART # BM17

PART #	O.E.M. PART #	DESCRIPTION	CAR
M1	644.551.915.00	Profile rubber at top of STEP PLATE /THRESHOLD	All
M2	644.551.115.00	STEP PLATE RUBBER - right	All
M3	644.551.115.00	STEP PLATE RUBBER - left	All
M4	644.505.391.00	Rubber strips at GUARD & BUMPER (8)	1953 - 59'
M5	644.505.394.05	Rubber strips at GUARD & BUMPER (8)	1960 - 65'
M6	644.559.491.00	Rubber VENT GRILL STRIP	All
M7	644.531.951.00	Base seal for DOOR COVER-RAIL	Coupes, Cabriolets
M8	644.531.931.41	Rubber seal against CRANK WINDOW outside	All - but Speedster
M8A	644.531.931.00	Rubber seal against CRANK WINDOW outside	1956 - 59' Coupe,Roadster
M9	644.531.903.00	Rubber seal at LEADING EDGE OF DOOR	1960 - 65'
M10	644.559.231.05	Rubber base seal under HOOD HANDLE	1960 - 65'
M11	644.511.901.06	Rubber HOOD COMPARTMENT SEAL	All
M12	644.701.001.00	DECAL - Valve Adjustment	1600N,S,C,SC late
M13	644.701.002.00	DECAL - Air Cleaner	For Zenith Air Cleaner
M14	644.701.003.00	DECAL - Oil Filter (H-type)	
M15	644.551.924.00	Rubber DOOR SEAL on body specify, right/left	Coupe 64' - 65' Only
M15A	644.531.923.00	Rubber DOOR SEAL on body specify, right/left	Coupe Pre 64'
M15B	356.52.808	Rubber DOOR SEAL on body - COUPE	Pre- A (1952 - 53)
M16	644.531.911.20	Rubber DOOR SEAL on body - 2 req. per door	Spdster, Rdster, Cab.-Pre 64'
M16A		Rubber DOOR SEAL on body - 2 req. per door	Cabriolet 64' - 65'
M16B		Rubber DOOR SEAL on body - 2 req. per door	Pre A Cabriolet
M17	644.505.049.00	Base rubber for BUMPER DECOR. STRIP (1 piece)	1956 - 59'
M18	644.505.431.05	Base seal for BUMPER DECOR. STRIP (front or rear)	1960 - 65'
M19	644.505.411.00	Rubber INSERT for BUMPER DECOR. STRIP (front or rear)	1954 - 59'
M20	644.559.131.00	Base rubber for ROCKER DECOR. STRIP (1 piece) under door	1954 - 59'
M21	644.505.431.05	Base seal for ROCKER DECOR. STRIP under door	1960 - 65'
M22	644.504.001.00	Leather SPARE TIRE STRAP	All
M24		FOOT PEDAL BOARDS (2 pieces) wood, specify year & model	All
M25	644.541.901.41	Rubber seal TOP OF WINDSHIELD GLASS & FRAME	Speedster,Roadster
M26		WINDSHIELD RUBBER KIT - SPEEDSTER (complete)	Speedster
M30		Plastic CENTER LENS for license light housing	1956 - 59'
M31A	644.701.009.00	DECAL - Oil Filter (FRAM type)	
M31B	644.701.015.00	DECAL - Valve Adjustment	S-90/ early SC
M32		Plastic LICENSE LIGHT HOUSING LENS top or bottom (2-required)	1952 - 59'
M33	644.007.931.00	Rubber base seal for LICENSE LIGHT HOUSING shine UP	1957 - 59'
M33A	356.62.511	Rubber base seal for LICENSE LIGHT HOUSING - shine DOWN	Pre. 1957
M34	644.559.001.00	Rubber INSERT for ROCKER DECORATIVE STRIP -under door	1954 - 59'
M35	901.559.101.22	Plastic INSERT for ROCKER DECORATIVE STRIP -under door	1960 - 65'
M36	644.505.411.05	Rubber INSERT for BUMPER - DECOR. STRIP (front or rear)	1960 - 65'
M37	540.561.931.00	SPEEDSTER TOP RUBBER SEAL	Speedster
M38	644.551.119.00	ALUMINUM RAIL to hold rubber trim at step plate - right or left	All

PART #	O.E.M. PART #	DESCRIPTION	CAR
M39	644.551.117.00	ALUMINUM RAIL to hold carpet at door opening	All
M40		SCREWS for M38 - complete per rail	All
M41		SCREWS for M39 - complete per rail	All
M42	644.731.577.05	REAR REFLECTOR - BASE SEAL	1960 - 65' - (356A inquire)
M43	644.631.615.05	REAR LICENSE LIGHT - BASE SEAL	1960 - 65'
M44	644.541.902.41	ROADSTER WINDSHIELD TO COWL SEAL	Roadster
M45	644.543.905.00	REAR QUARTER WINDOW RUBBER SEAL on frame - outside	Coupes Only
M46	644.631.495.05	TURN SIGNAL SEAL - front (INNER M46A \$4.00)	1960 - 65'
M47	644.531.901.00	REAR DOOR SEAL - on door	All
M48	644.559.003.99	HOODHANDLE RUBBER SEAL - In GRAY specify M48A (\$20.00 ea)	1956 - 59'
M49	644.545.901.00	WINDSHIELD RUBBER SEAL - for cars with gas filter under hood	1954 - 61'
M49A	644.541.901.07	WINDSHIELD RUBBER SEAL - for cars with gas filter in fender	1962 - 65'
M50	644.545.901.00	REAR WINDSHIELD RUBBER SEAL	1954 - 61'
M51	644.545.901.06	REAR WINDSHIELD RUBBER SEAL	1962 - 65'
M52	356.062.223	TAIL-LIGHT BASE SEAL - BEE-HIVE type - color BLACK (4 req)	Pre Sept. 57'
M52A	356.062.223G	TAIL-LIGHT BASE SEAL - BEE-HIVE type - color GREY (4 req)	Pre Sept. 57'
M53	644.531.006.00	DOOR HANDLE BASE SEAL - large	Pre Sept. 57'
M54	644.563.905.00	REMOVEABLE HARD TOP SEAL to body	All detachable hardtops
M55	644.701.102.00	BODY NUMBER PLAQUE - "REUTTER KAROSSERIE"	
M58	644.369.001.00	ENGINE SHEET METAL SHROUD SEAL - complete	All
M62	644.505.171.00	BUMPER OVERRIDER TUBE BRACKET GROMMETS at body (4)	1956 - 59'
M63	644.505.191.00	BUMPER OVERRIDER TUBE BRACKET GROMMETS @ bumper (6)	1956 - 59'
M68	644.559.011.00	ROCKER DECORATIVE STRIP under door -complete w/ 1 piece base seal	1955 - 59'
M69	644.559.045.00	CHROMED HORN GRILL	1954 - 59'
M70	644.542.095.20	SIDE WINDOW SEAL both sides - specify body type (GRAY \$60.00)	Cabriolet/Roadsters
M72	644.541.261.40	WINDSHIELD POST SEAL - specify model (2)	Speedster (molded)
M73	644.701.103.00	PAINT NUMBER PLAQUE - "KUNSTHARZLACK"	
M74	644.701.104.00	BODY NUMBER PLAQUE - "DRAUZ KAROSSERIE"	
M75	644.701.105.00	BODY NUMBER PLAQUE - "KARMANN KAROSSERIE"	
M76	644.41.602 set	STABILIZER BAR GROMMETS - complete 6 grommets	All
M76A	644.41.602	STABILIZER BAR GROMMETS, per piece	All
M77	644.559.011.07	ROCKER DECORATIVE STRIP under door - complete	1960 - 65'
M78	999.703.086.40	ENGINE DECK LID RUBBER STOPS - GRAY (4)	Post September 57'
M78A	356.52.812	ENGINE DECK LID RUBBER STOPS - specify WHITE or BLACK	Pre September 57'
M79	644.631.645.00	BACK-UP LIGHT BASE SEAL - rim to body	1960 - 65'
M81	644.551.103.00	TRUNK COMPARTMENT RUBBER MAT - specify year	1954 - 61'
M82	644.551.101.00	FRONT RUBBER FLOOR MAT - specify year	1956 - 61'
M82A		Rubber FLOOR MAT SET - TAN (front,rear, and tunnel)	1956 - 59'
M83	644.551.111.01	GEAR SHIFT TUNNEL RUBBER MAT - heater in front	1957 (September) - 59'
M83A	644.551.111.00	GEAR SHIFT TUNNEL RUBBER MAT - heater in rear	1956 - 57' (August)
M84	644.551.101.06	Rubber FRONT FLOOR MAT - specify year	1962 - 65'
M85	644.551.111.05	GEAR SHIFT TUNNEL RUBBER MAT - Specify LEVER or NOB heater	1960 - 65'

PART #	O.E.M. PART #	DESCRIPTION	CAR
M86	644.631.115.00	HEADLIGHT SEAL to body	All
M87	644.701.646.00	PLAQUE - BOSCH HORN I.D. - 2 hole "613" or "614" specify	
M88		WINDSHIELD RUBBER SEAL - KARMANN BODY, specify if rear	Karmann Coupes, Cabriolets
M89	644.531.631.01	Rubber DOOR HANDLE SEAL - large	Post Sept. 1957
M90	644.531.632.00	Rubber DOOR HANDLE SEAL - small	All
M91	644.531.035.00	Rubber DOOR STOP - holds door in open position	All
M92	914.423.210.00	Rubber BRAKE/CLUTCH PEDAL PAD	1953 - 65'
M93	356.53.803	Rubber FRONT FLOOR MAT	Pre Oct. 1955
M94	644.551.121.00	Rubber REAR FLOOR MAT as set (gas filler under hood)	1953-61'
M94A	644.551.121.06	Rubber REAR FLOOR MAT as set (gas filler in fender)	1962-65'
M96	644.559.046.05	Chrome HORN GRILL - upper right	1960-65'
M97	644.559.045.05	Chrome HORN GRILL - upper left	1960-65'
M98	644.559.048.05	Chrome HORN GRILL - lower right	1960-65'
M99	644.559.047.05	Chrome HORN GRILL - lower left	1960-65'
M100	644.369.003.00	Rubber ENGINE SHROUD SEAL complete (<i>wide Euro type</i>)	Wider than #M58
M101	356.62.214	TAIL-LIGHT BASE SEAL -SQUARE TYPE, between ring and body	1950-53'
M102	644.543.901.00	REAR QUARTER WINDOW SEAL - glass to frame	All Coupes
M103	644.531.933.00	Rubber SEAL AGAINST CRANK WINDOW - inside	1952-56'
M105	644.531.751.00	Rubber DOOR WEDGE - TRIANGLE SHAPE, on door	Pre Sept. 1961
M106	644.559.495.01	Rubber HORN GRILL BASE SEAL	1954-59'
M107	644.631.491.01	Rubber TEAR-DROP TAIL-LIGHT BASE SEAL	1957-65'
M109	644.541.902.40	Rubber WINDSHIELD BASE SEAL - TO COWL	Speedster
M110	644.701.636.00	PLAQUE - BOSCH HORN I.D. (1 hole) HO/FSA 6/4	Pre Oct. 1955
M110A	644.701.635.00	PLAQUE - BOSCH HORN I.D. (1 hole) HO/FSA 6/3	Pre Oct. 1955
M112	644.628.292.00	Rubber bushings for WINDSHIELD WIPER SHAFT (Inner/Outer)	Pre 1962 (2 req)
M112A	644.628.292.12	Rubber bushings for WINDSHIELD WIPER SHAFT (Inner/Outer)	Post 1962 (2 req)
M112C	644.628.292	Rubber bushings for WINDSHIELD WIPER SHAFT (Inner/Outer)	Speedster (2 req)
M113	356.23.326	Rubber ACCELERATOR PEDAL PAD	All
M114	644.631.611.05	LENS for LICENSE LIGHT HOUSING	1960-65'
M115	644.541.931.45	Rubber TOP-TO-WINDSHIELD FRAME SEAL	Convertible"D" & Roadsters
M116	356.41.427	Rubber DUST COVER for FRONT WHEEL BEARING (2 req)	All Drum Brake Cars
M117	644.561.931.20	Rubber TOP SEAL TO WINDSHIELD FRAME for CABRIOLET	All Cabriolets
M118		Chrome DOOR HANDLE (lock cylinder not included)	Post Sept. 1957
M119	644.701.106.00	PLAQUE - BODY NUMBER - "Anciens Etablissements D'leteren"	Roadster
M120	519.20.522	TRANSMISSION MOUNT - Sandwich 519 type	July 1952 - October 1955
M121	644.41.010.1	Rubber SUSPENSION BUFFER STOP - Triangle Shape (2 req)	October 1955 - September 1961
M123		Rubber REAR WINDSHIELD SEAL for removable hardtop & notchback	Hardtop & Notchback
M124	644.542.931.03	VENT WINDOW RUBBER - Specify Right/Left (2 req)	1960-65' Coupes
M125	644.542.931.26	VENT WINDOW RUBBER - Specify Right/Left (2req)	1962-65' Cabriolet

PART #	O.E.M. PART #	DESCRIPTION	CAR
M126	644.542.933.02	Rubber REAR VENT WINDOW (2 req)	All
M127	644.34.206	Rubber REAR SUSPENSION BUFFER - Specify Year (2 req)	October 1955 - 1963
M127A	695.333.311.00	Rubber REAR SUSPENSION BUFFER - Note 3-tier	1964 - 1965
M128	644.543.903.00	Rubber SEAL for INTERIOR QUARTER WINDOW on Body	All Coupes (Right or Left)
M129	644.025.631.00	Rubber BUFFER for GLOVE COMPARTMENT DOOR (4 req)	Pre 1964
M129A	356.70.129	Rubber BUFFER for GLOVE COMPARTMENT DOOR (2 req)	Pre Sept. 1957
M130	644.025.615.00	Rubber BOLT COVER for SEAT STOP (4 req)	Speedster
M131	644.205.631.00	Rubber BUFFER for GLOVE COMPARTMENT DOOR (2 req)	1964 - 1965
M132	644.701.108.00	PLAQUE - BODY NUMBER "PORSCHE KAROSSERIE"	1964 - 1965
M133		BATTERY HOLD-DOWN STRAP	Late 1961 - 1965
M136	644.025.615.00	Rubber BUFFER for HINGED BACKREST with Adjustable Stop	Pre. 1961
M138	901.731.129.00	Rubber BASE SEAL for REAR VIEW MIRROR - "DURANT"	1962 - 65'
M139	644.731.129.00	Rubber BASE SEAL for REAR VIEW MIRROR - "AERO" or "PONTO"	1956-59'
M141	644.025.679.00	Rubber Buffer for FUEL LID COVER	1962-65'
M142	644.564.905.50	Rubber SEAL for MECHANICAL SUN-ROOF - GRAY	M217 Needed also
M143		PLAQUE - BOSCH HORN I.D. (HO 37 DIN 0320 201 007)	
M144		PLAQUE - BOSCH HORN I.D. (HO 37 DIN HO/FSA 12/15)	
M145		PLAQUE - BOSCH HORN I.D. (12V 345HZ 0 320 213 009)	
M146		PLAQUE - BOSCH HORN I.D. (12V 390HZ 0 320 213 010)	
M147	644.722.010.00	Rubber BUFFER for TIRE JACK	All
M148	644.521.191.00	Rubber SEAT BACKREST STOPS (4 req) - Not Speedster	1960 - 65'
M149	644.531.951.00	Rubber SEAL between COVER-RAIL & VENT WINDOW FRAME	All
M150	644.501.915.00	Rubber BUFFER for TIRE JACK RECEIVER BRACKET (2 req)	All Pre 1962
M151	999.703.004.40	Rubber PLUG for REFLECTOR HOLE beneath bumper	1960 - 65'
M152	644.531.921.00	Rubber SEAL at DOOR BOTTOM - has drain notches	1960 - 65'
M153		REAR QUARTER WINDOW SEALS - KARMAN NOTCHBACK complete	Pop Out Windows
M153A		REAR QUARTER WINDOW SEALS - REMOVEABLE HARDTOP complete	Stationary Windows
M154	644.631.419.00	Rubber BOOT for ELECTRIC TURN LIGHT CONNECTION (4 Required)	All
M155	695.341.031.01	ROUND SUSPENSION RUBBER BUFFER (2 req)	October 1961 - 1965
M156	644.703.002.00	Rubber HOLE PLUG at DOOR HINGE ACCESS / ENGINE/ TRUNK (6 req.)	All
M157	644.531.741.00	Rubber BUFFER at INSIDE LOWER/ FRONT CORNER of DOOR (2 req)	All
M158	644.505.245.05	Rubber SPACER MOUNT at BUMPER & BODY (4 req)	1960 - 65'
M159	644.025.611.00	Rubber SUPPORT GROMMET for FUEL COCK LEVER	Pre October 1961
M160	644.201.261.06	Rubber SUPPORT GROMMET for FUEL COCK LEVER	Post October 1961
M161	644.201.277.06	GAS FLAP around GAS FILLER NECK - Filler in Fender	1960 - 65'
M162	644.572.961.00	Rubber PLUG for TIRE COMPARTMENT	1960 - 65'
M163		"LEITZ" LUGGAGE RACK - WHITE BUFFER PADS	
M164	644.504.761.01	Rubber DOOR PLUG at TOP LEADING EDGE	All
M167	616.09.904	IGNITION WIRE GROMMET to spark plugs into sheet metal	All
M168	695.424.921.03	TRANSMISSION RUBBER BOOT - Outside gearshift tunnel	741 Type II

PART #	O.E.M.PART#	DESCRIPTION	CAR
M169	695.424.922.00	TRANSMISSION RUBBER BOOT - Inside gearshift tunnel	741 Type II
M170	519.20.095	TRANSMISSION MOUNT - Complete	1956 - 65'
M171	644.23.310	Rubber PEDAL BUFFER (2 req)	All
M172	644.025.675.00	WINDSHIELD TORSION ROD HOLE PLUG	All Cabriolets
M173	356.53.802	Rubber TRUNK COMPARTMENT MAT	Pre October 1955
M177	644.701.105.00	PLAQUE - KARMANN I.D. NUMBER "Karosserie", "Kunstarzack"	
M178	356.23.105	Rubber CLUTCH and BRAKE PAD - Square with circle pattern	Pre October 1954
M179	644.201.242.00	Rubber FUEL COCK LEVER BULKHEAD GROMMET	October 1962 - 1965 (T-6)
M180	356.41.208	Rubber FRONT SUSPENSION STOP	1952 - 55'
M181	695.333.221.00	Rubber CENTER MOUNT for REAR COMPENSATOR SPRING	1956 - 65' (Optional)
M182	644.201.177.00	Rubber GAS FILLER NECK COLLAR	October 1961 - 1965 (T-6)
M183	644.025.631.00	Rubber PLUGS for DRIVING LIGHT OPENING (6 req)	1960 - 65'
M184	644.424.791.00	Plastic HEATER KNOB -BLACK Low Type	All Pre 1962
M185	644.41.403	CONTROL ARM SEAL at TORSION BAR	1956 - 65'
M189	644.542.901.00	FELT WINDOW CHANNEL (see M232 also)	All Crank Window Cars
M190	644.347.836.05	Rubber CUFF BOOT under HORN BUTTON	1960 - 65'
M191	644.201.175.00	Rubber FUEL INLET FLANGE GASKET	1962 - 1965
M192	644.531.935.41	FELT Fuzzy WEATHER STRIP at Crank Window Cell	1960 - 1965
M192A	644.531.935.00	FELT Fuzzy WEATHER STRIP at Crank Window Cell	Roadster
M193	644.025.612.00	HEADLIGHT BUCKET DRAIN TUBES	All
M194	644.333.131.01	HUB BUSHINGS for the REAR RADIUS ARM <i>with</i> ribs behind cover	1962-65' (2 req. and 2 M194A also)
M194A	644.333.131.00	HUB BUSHINGS for the REAR RADIUS ARM <i>without</i> ribs (4 req.)	1952-61'
M195		ENGINE COMPARTMENT Rubber GROMMET behind Tailight (2 req.)	All
M198	644.551.631.00	FLOOR BOARD - HOLD DOWN SPRING CLIPS	All
M199	695.355.920.00	MASTER CYLINDER BOOT	All
M200	356.53.805	PRE - A TUNNEL MAT Ribbed, specify/Heater location	1952 - 56'
M201	539.07.726	OIL FILLER CONTAINER SEAL (3.250 diameter)	Pre 1962
M202	519.20.555	NOSE Rubber SEAL for TRANSMISSION GEAR SHIFT HOUSING	1952 - 59'
M203	644.47.213	STEERING COLUMN - Rubber MOUNT AT DASH (Coupe \$20.00)	Speedster
M204	356.47.314	Rubber DUST COVER at TIE ROD END (4 req.)	All
M205	539.08.402	356A MOTOR BALANCE TUBE ELBOW (2 req.)	1952-56
M206	644.542.591.00	BASE SEAL for Optional VENT WINDOWS	1952 - 59'
M207		HORN BUTTON - Inner FOAM RUBBER SEAL	1952 - 59'
M208	644.347.931.00	Rubber for SPEEDSTER GLASPAR HARDTOP (rear window only)	Speedster
M209	644.025.611.00	IGNITION WIRE RUBBER at SHROUD (in Wire Loop)	Pre 1959
M210	644.347.931.00	Rubber COLLAR (Lower) for STEERING COLUMN	All

RUBBER KITS - contain all Major Weather Seals

	1953 - 1959 COUPE	Specify Year
	1960 - 1965 COUPE	Specify Year
	1953 - 1957 CABRIOLET	Specify Year
	1958 - 1965 CABRIOLET	Specify Year
	SPEEDSTER	Specify Year
	ROADSTER & CONVERTIBLE "D" (M115 included)	Specify Year
	KARMANN "NOTCHBACK" with Moveable Rear Quarter Windows	Specify Year
	KARMANN CABRIOLET with Detachable Hardtop	Specify Year
	KARMANN CABRIOLET Detachable Hardtop Moveable Quarter Window	Specify Year

HARDWARE SETS

BM1	STRIKE PLATE SCREW SET - 5 hole striker plate (10 pieces)	PRE September 1957
BM2	STRIKER PLATE SCREW SET - 3 hole striker plate (6 pieces)	POST September 1957
BM3	FRONT BUMPER BOLT SET - Includes flat & lock washers (24 pieces)	13MM HD.
BM4	REAR BUMPER BOLT SET - includes flat & lock washers (24 pieces)	13MM HD.
BM5	SEAT RAIL SCREW SET - complete (20 pieces)	ALL
BM6	SUMP COVER PLATE- STUDDWASHER/NUT SET (40 pieces)	ALL
BM7	ENGINE SHEET METAL & DUCTING SCREW SET (74 pieces)	washers included
BM8	VENT GRILL SCREW & NUT SET - includes washers (12 pieces)	pre T-6
BM9	UPPER HORN GRILL NUT/BOLT/WASHER SET - complete (14 pieces)	1960-65'
BM10	INTERIOR DOOR FRAME BOLT/WASHER SET - complete	ALL Coupes & Cabriolets
BM11	QUARTER WINDOW FRAME SCREW SET - complete (16 pieces)	ALL Coupes
BM12	DOOR LOCK SCREW SET - complete (6 pieces)	ALL
BM13	DOOR PANEL SCREW/WASHER SET - complete (56 pieces)	NOT Roadsters
BM13A	DOOR PANEL SCREW/WASHER SET - specify car	Speedster, Roadster
BM14	HOOD SEAL CORNER BRACKETS, SCREW/WASHER SET	ALL
BM15	HORN GRILL NUT/WASHER SET - (12 pieces)	1952-59'
BM16	BUMPER GUARD TO PROTECTIVE TUBE ACORN NUT SET (4 pieces)	1956-59'
BM17	BODY & PAINT NUMBER PLAQUE SPECIAL RIVETS - (set of 4)	ALL
BM28	SEAT ADJUSTMENT BOLTS (14MM HD) with Rubber Covers	Speedster

CHASSIS/PAINT NUMBERS STAMPED , price can vary based on plaque and desired stamping

Please Inquire

