

1. Octagon Rough Opening Measurements

Small Cabin Light

- 14 3/4" Inside Vertical
- 14 3/4" Inside Horizontal
- 6 7/64", 45° Corner Brace

Cabin Light / Rambler

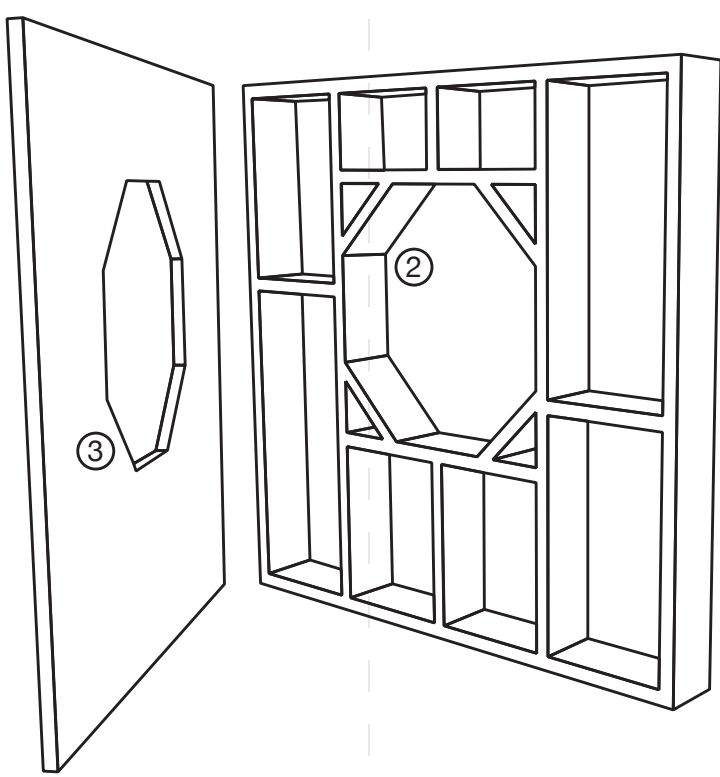
- 22 1/4" Inside Vertical
- 22 1/4" Inside Horizontal
- 9 1 1/64", 45° Corner Brace

Large Cabin Light

- 24 5/8" Inside Vertical
- 24 5/8" Inside Horizontal
- 10 13/64", 45° Corner Brace

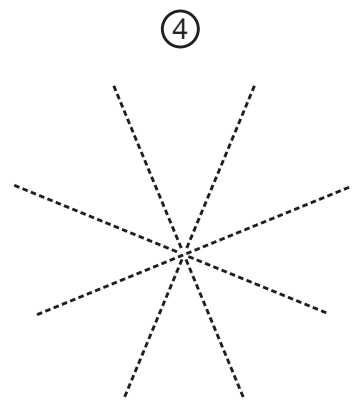
Elongated Cabin Light / Elongated Rambler

- 36 1/4" Inside Vertical
- 22 1/4" Inside Horizontal
- 9 1 1/64", 45° Corner Brace

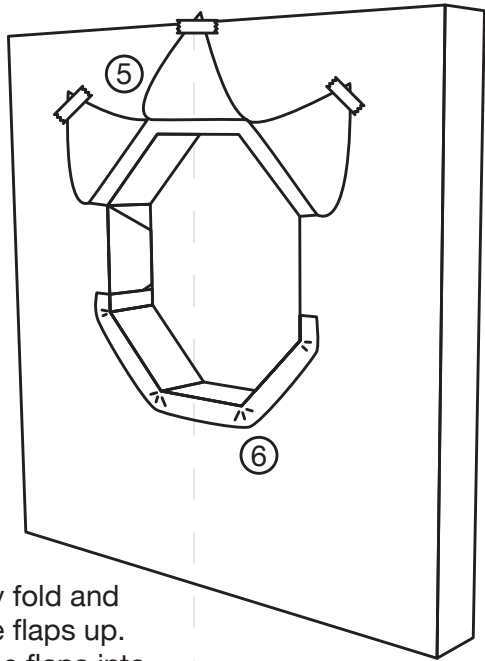


2. Build rough opening and install corner braces per recommended inside measurements (see 1).

3. Trace rough opening and cut out sheeting.



4. Wrap with moisture barrier and slice across corners of octagon, extend the cut on the top three flaps.



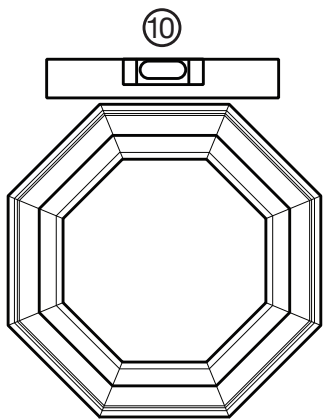
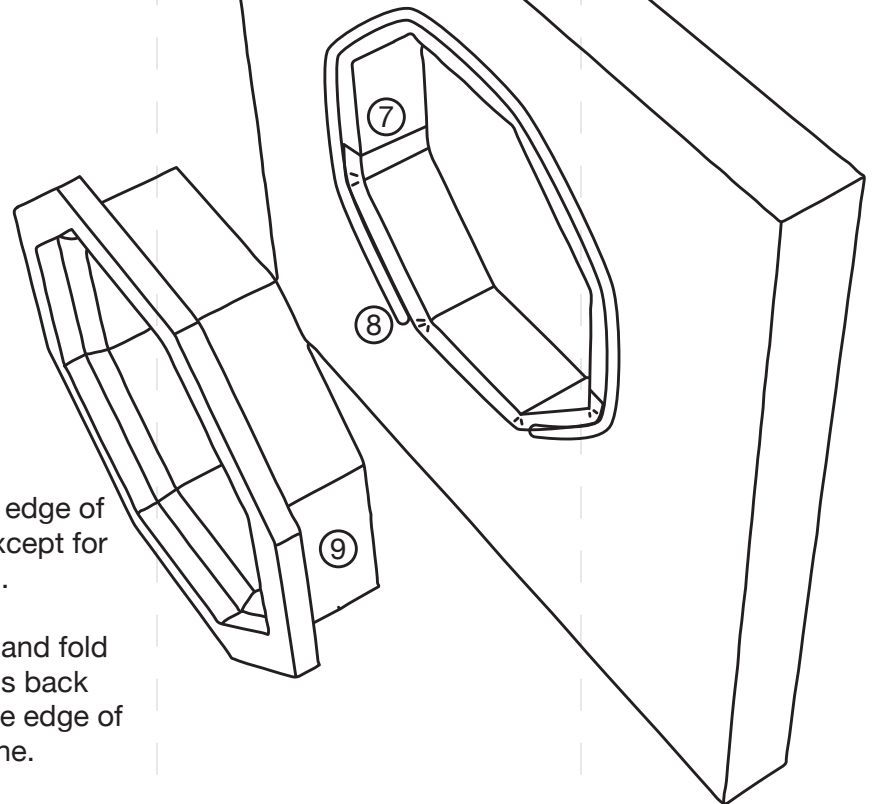
5. Temporarily fold and tape top three flaps up. Fold rest of the flaps into opening, staple to frame and trim excess.

6. Tape flex wrap to bottom half of rough opening.

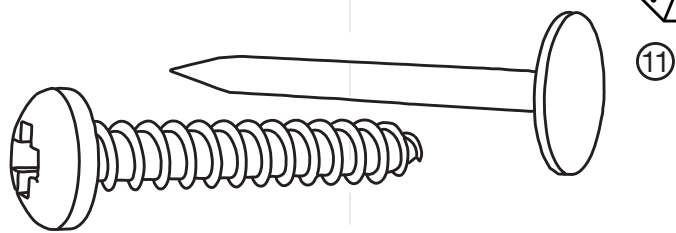
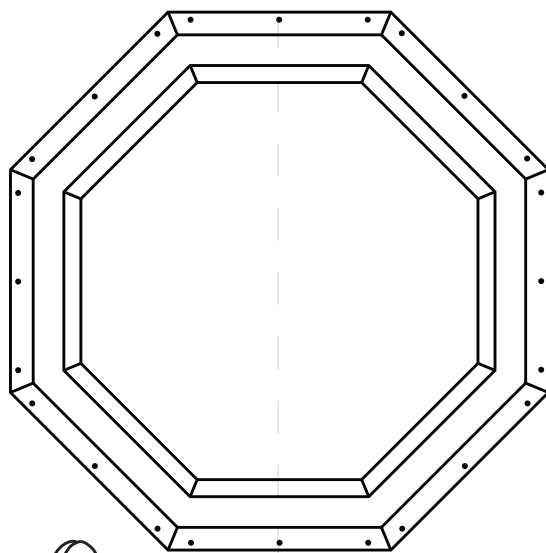
7. Apply sill tape

8. Apply caulk to edge of rough opening except for the bottom panel.

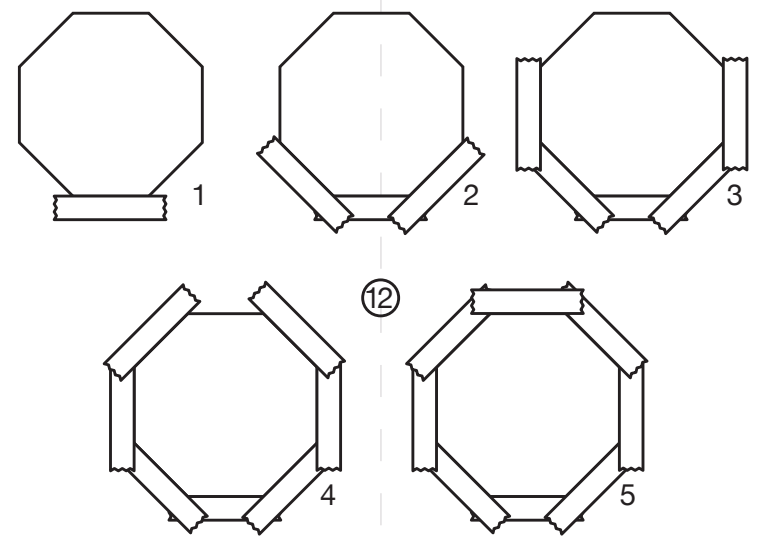
9. Insert window and fold the top three flaps back and trim along the edge of the brickmould line.



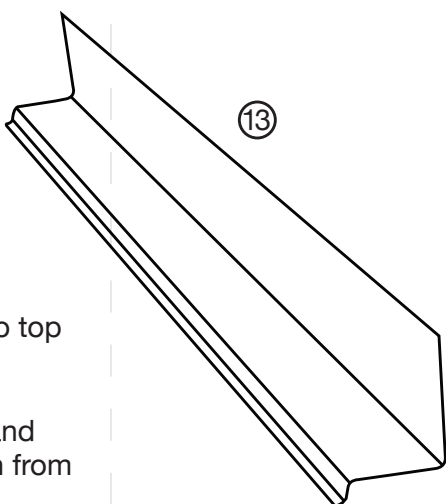
10. Level and center window.



11. Fasten window through nail fin/brick mould to wood framing using nails or pan head screws.



12. Tape over moisture barrier cut lines and exposed nails with flashing tape. * for brickmould, tape along with a 3/4" overlap on brickmould.

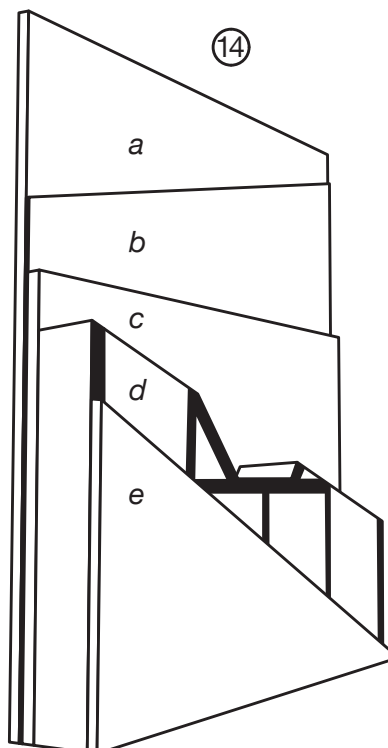


13. Apply drip cap to top of window

14. Apply window and door foam insulation from inside of wall.

▲ Use only foam product for window and door. other types may distort the window and void warranty.

- a. siding
- b. moisture barrier
- c. sheeting
- d. stud and foam
- e. drywall



Octagon Window

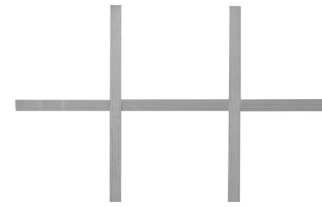
Please read instructions carefully.

JJJ Specialty Co.
 ph: 612-788-9688
 fax: 612-788-2002
 info@jjjspecialty.com

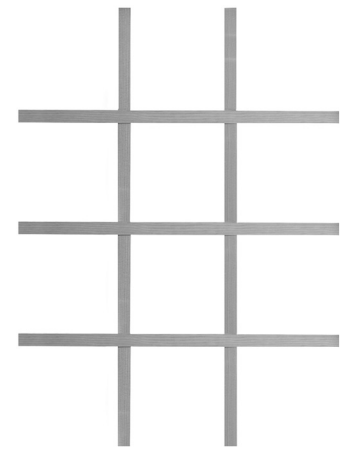
Visit our website: www.jjjspecialty.com
 Like us at: www.facebook.com/jjjspecialtycompany

Turn your Ordinary windows into
 Extraordinary windows with quality wood
 and vinyl grille inserts. Custom built to
 your specifications. Easy to install.

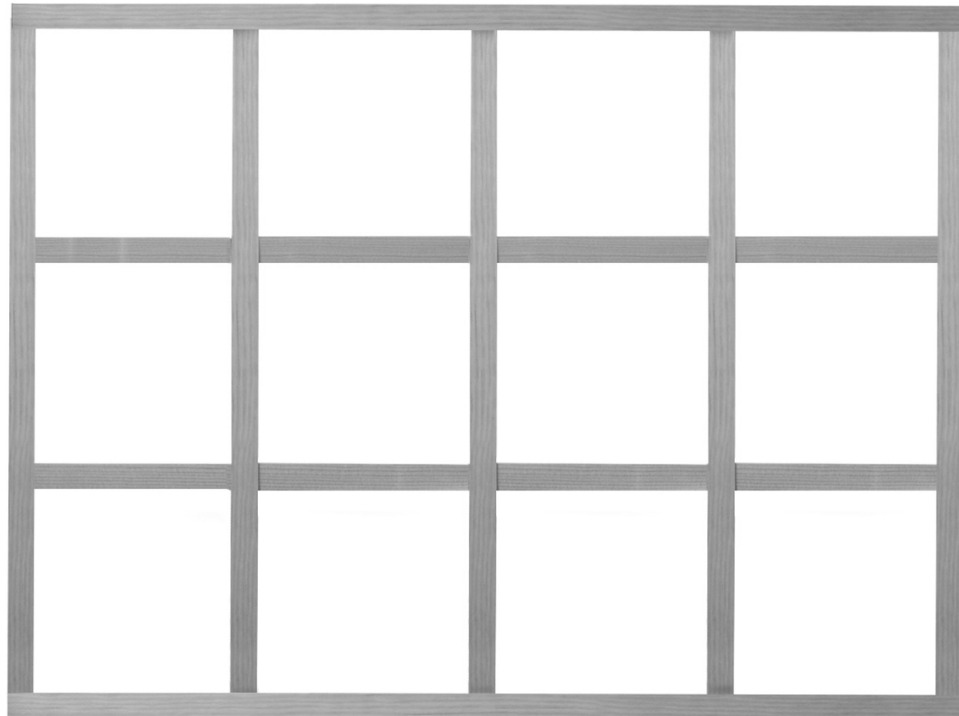
No Surround Grilles



6 light grille insert

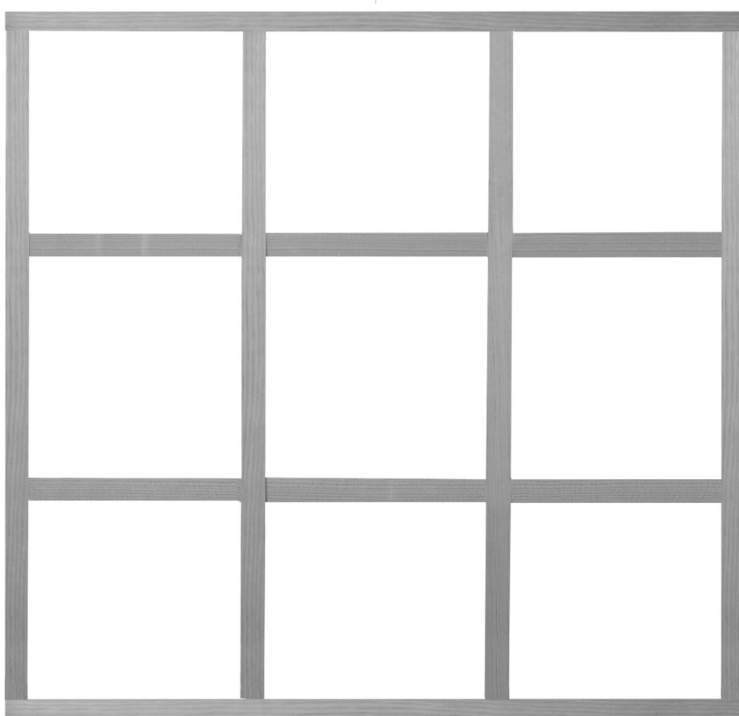


12 light grille insert



12 Light Grille
 Insert Surround

Full Surround Grilles



9 light grille
 insert surround

**MORE PATTERNS
 AVAILABLE**



**Custom Size
 Pine & Cedar
 Barn Sash**

Barn Sash Shown
 size 16" x 24"



Please read these instructions in their entirety before beginning to install this window product.

These installation instructions demonstrate the installation of a wood or vinyl window in new wood frame construction using an industry approved water management system. For installation using other construction methods, such as remodeling, replacement, and recessed openings refer to "ASTM E2112-01, Standard Practice for Installation of Exterior Windows, Doors and Skylights," for installation suggestions. Information for ASTM E2112 can be found on the ASTM website, www.astm.org.

Regional standard practices, environmental conditions, and codes may vary and supersede the procedures contained within. The responsibility for compliance is yours: the installer, inspector, and owner(s).

The procedures within these instructions are consistent with those used in testing.

You Will Need to Supply

- Safety glasses
- Hearing protection
- Level Square
- Hammer
- Wood shims
- 16D casing nails
- Insulation
- Tape measure
- Perimeter sealant
- Sill pan flashing
- Backing material (foam backing rod)
- Low expansion foam insulation
- Flashing materials
- Weather resistive barrier

WARNING

Drilling, sawing, sanding or machining wood products generates wood dust and other substances known to the State of California to cause cancer.

Avoid inhaling dust generated from wood products or use a dust mask or other safeguards to avoid inhaling dust generated from wood products.

Wood products emit chemicals known to the State of California to cause birth defects or other reproductive harm.

California Health and Safety Code Section 25249.6