



## EXTRALINK 4U 600X450 BLACK | RACK CABINET | MOUNTED ON THE WALL



### OVERVIEW

The Extralink rack cabinet is designed for wall mounting in offices, network server rooms and CCTV installation control rooms. The outer walls are made of cold-rolled steel sheet. Equipped with a tempered glass pane, the front door can open to the left or right side.



## THE HEIGHT OF THE CABINET IS CLEARLY MARKED

The vertical rails are marked with the appropriate height, which is 4U (unit), while the total height of the cabinet is 28 cm .



## EASY DISASSEMBLY OF SIDE WALLS

Snaps on the side walls allow their removal. Locks and keys are included .



## THE CEILING OF THE CABINET WITH THE POSSIBILITY OF INSTALLING FANS

There are 2 places to install fans on the ceiling of the cabinet for better cooling of the devices, there is also an additional opening for pulling cables.

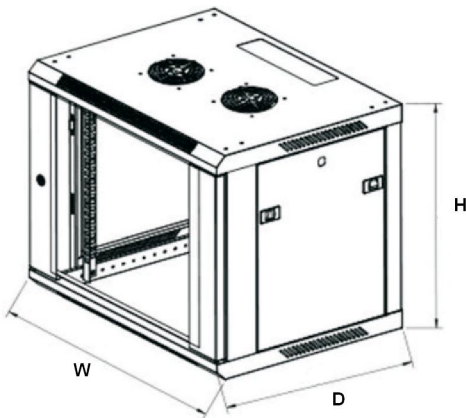


## DIMENSIONS

W - width 600mm

D - depth 450mm

H - mounting height 4U - 177.8mm



## COMPONENTS

A - Bottom panel

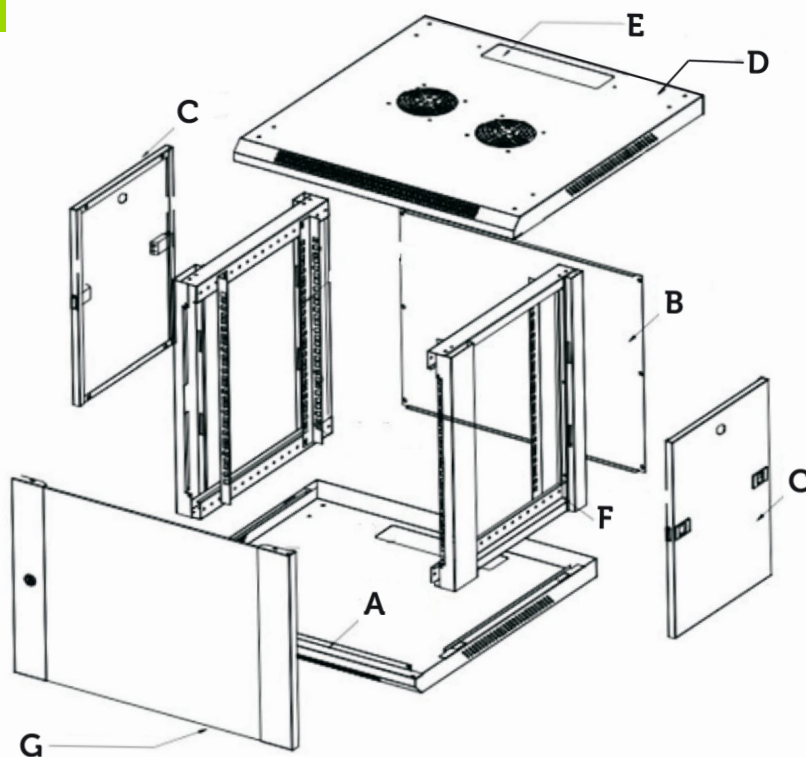
B - Rear panel

C - Side panels, removable

D - Top cover

E - Cable hole

F - Frame





## MAIN FEATURES

- Standard 19 " assembly, welded frame, reliable construction
- DIY frame structure - easy to carry and transport, which lowers shipping costs
- Wall or standing mounting
- Easy assembly (patent)
- Removable side panels
- Cable entry holes on both the top cover and bottom panel
- Tempered glass front door with a rotation angle of more than 180 degrees

## SPECIFICATION

<b>Cabinet type</b>	Hanging
<b>Cabinet height</b>	4U
<b>Depth</b>	450mm
<b>Colour</b>	Black
<b>Type of door</b>	Glazed
<b>Width</b>	600mm