

EXTRALINK



EXTRALINK

EXTRALINK 15U 600X450 BLACK | RACK CABINET | WALL MOUNTED



OVERVIEW

The Extralink rack cabinet is designed for wall mounting in offices, network server rooms and CCTV installation control rooms. The outer walls are made of cold-rolled steel sheet. Equipped with a tempered glass pane, the front door can open to the left or right.



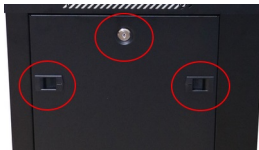
THE HEIGHT OF THE CABINET IS CLEARLY MARKED

Vertical rails have a corresponding height designation, which is 15U (unit).
The total height of the cabinet is 87.5 cm.



EASY DISASSEMBLY OF SIDE WALLS

Snaps on the side walls allow their removal. Locks and keys are included

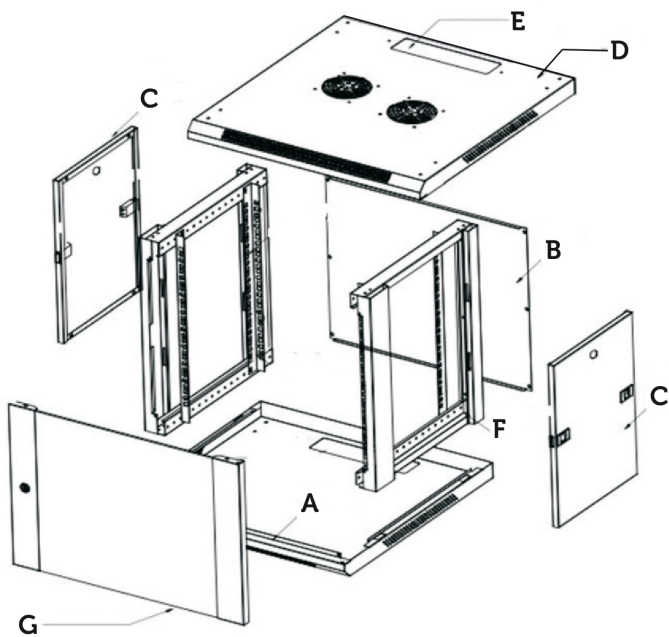


CEILING ADAPTED TO THE INSTALLATION OF FANS

On the ceiling of the cabinet there are 2 places to install fans for better cooling of the devices and additional conduit for pulling out cables.



WARDROBE CONSTRUCTION:



- A - Bottom panel
- B - Rear panel
- C - Side panels, removable
- D - Top cover
- E - Cable hole
- F - Frame

MAIN FEATURES

- Standard 19" mounting, welded frame, reliable design
- The frame structure is prepared for self-assembly, thus it is easy to move and transport, reducing shipping costs
- Standing/Wall Mounting
- Easy installation (patent)
- Removable side panels
- Holes for cable entry on both the top cover and the bottom panel
- Tempered glass entrance door, rotation angle over 180 degrees



SPECIFICATION

Cabinet type	Hanging
Cabinet height	15U
Depth	450mm
Colour	Black
Type of door	Glazed
Width	600mm