
Fanvil



Table of contents

1. Cover	1
2. Catalogue	2
3. Revision record.....	2
4. Product description.....	3
5. Compatible to IP phone.....	3
6. Functional characteristic.....	3
7. Connection Type.....	3
8. Drawing.....	4
9. Environmental condition.....	5
10. Packaging.....	5

4 Product description:

EHS 20 Fanvil IP

ConnectDECT base to Fanvil IP phone with EHS20 adaptor in order to achieve remote control and allow users to answer and end the calls by press the multi-function button on headset

5 Compatible to IP phone:

Fanvil X2/X2P IP Phone
X3S/X3SP/X3G IP Phone
X4/X4G IP Phone
X5S IP Phone
X6 IP Phone

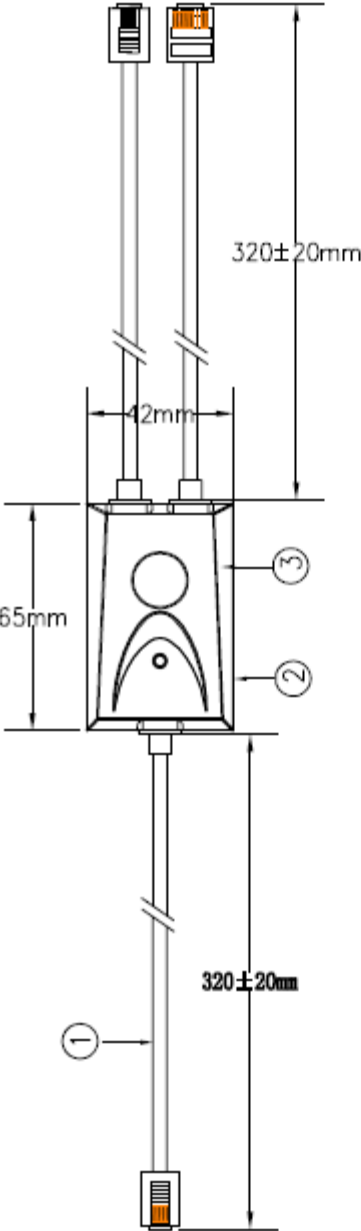
6 Functional characteristic:

Hear ring tones
Answer calls
End calls
Mute the microphone

7 Connection Type:



8 Drawing



9 Environmental condition:

Storage Environment: -20°C — $+ 60^{\circ}\text{C}$

-20°C — $+ 60^{\circ}\text{C}$ Relative humidity less than 85% without condensation

Working environment: 0°C ~ — $+ 40^{\circ}\text{C}$

0°C ~ — $+ 40^{\circ}\text{C}$ Relative humidity less than 85% without condensation

10 Packing

