

PA-5800-29-06-DP
PA-5800-32-09-DP
PA-5800-35-12-DP



ANTENNAS

DISH ANTENNA

- Excellent bandwidth
- Fast and easy installation
- Light and elegant design

DISH ANTENNAS

ELECTRICAL CHARACTERISTICS

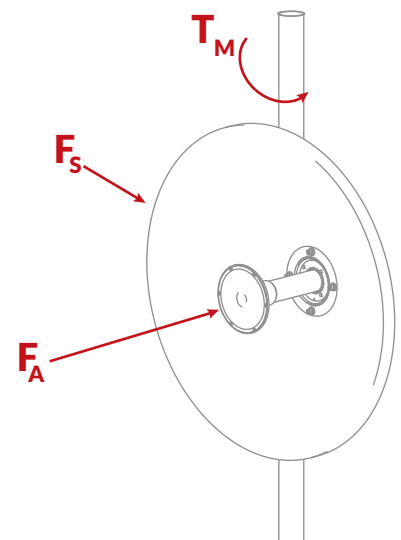
	PA-5800-29-06-DP	PA-5800-32-09-DP	PA-5800-35-12-DP
Frequency range	4.9 - 5.875 GHz	4.9 - 5.875 GHz	4.9 - 5.875 GHz
Diameter	0.6m 2ft	0.9m 3ft	1.2m 4ft
High band gain	28.5 dBi	33.5 dBi	35.8 dBi
Mid band gain	28 dBi	32.9 dBi	35.2 dBi
Low band gain	27 dBi	32.4 dBi	34.7 dBi
Beamwidth	6.2°	3.6°	3.1°
Front-to-back ratio (180° +/-80°)	> 40 dB	> 54 dB	> 57 dB
Polarization	Double (V and H)	Double (V and H)	Double (V and H)
Port-to-port isolation	> 15 dB	> 15 dB	> 15 dB
VSWR	4.9-5.25 < 2.0:1 5.25-5.875 < 1.6:1	4.9-5.25 < 2.0:1 5.25-5.875 < 1.6:1	4.9-5.25 < 2.0:1 5.25-5.875 < 1.6:1
Antenna input	SMA Reverse Female N Female	SMA Reverse Female N Female	SMA Reverse Female N Female
Electrical compatibility	Anatel Class 1	Anatel Class 1	Anatel Class 1

MECHANICAL CHARACTERISTICS

	0.6 m	0.9 m	1.2 m
Azimuth	Manual		
Elevation	+/- 6°	+/- 7,5°	
Polarization adjustment	+/- 5°		
Aproximate weight	4,1 kg	8 kg	19,5 kg
Mounting pipe diameter	Ø1" a Ø2"		Ø2" a Ø4.1/2"
Operational windspeed	110 km/h		
Survival windspeed	200 km/h		

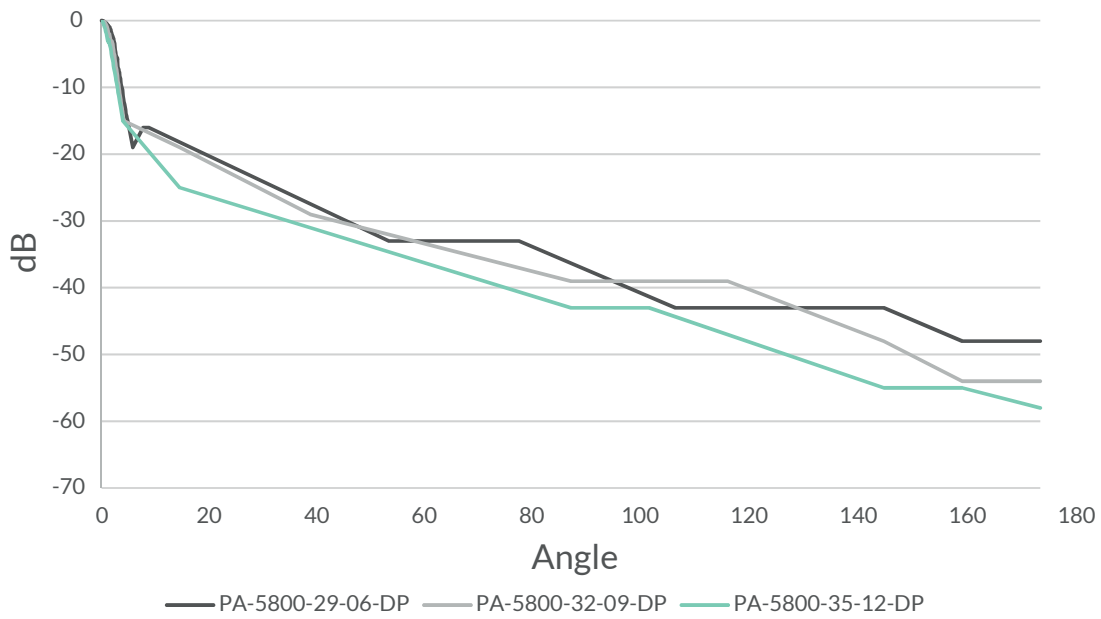
INCIDENTING FORCES ON SURVIVAL WIND

	0.6 m	0.9 m	1.2 m
Torque maximum (T_M)	115 Nm	298 Nm	966 Nm
Axial force (F_A)	907 N	1448 N	2911 N
Side force (F_S)	265 N	492 N	1600 N



DISH ANTENNAS

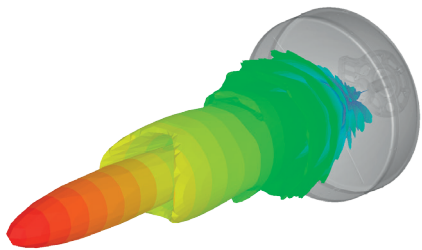
4.9 - 5.875 GHz



100% aluminum structure



Anatel Class 1 homologation and sending of VSWR graphics and port-to-port isolation from acquired antenna

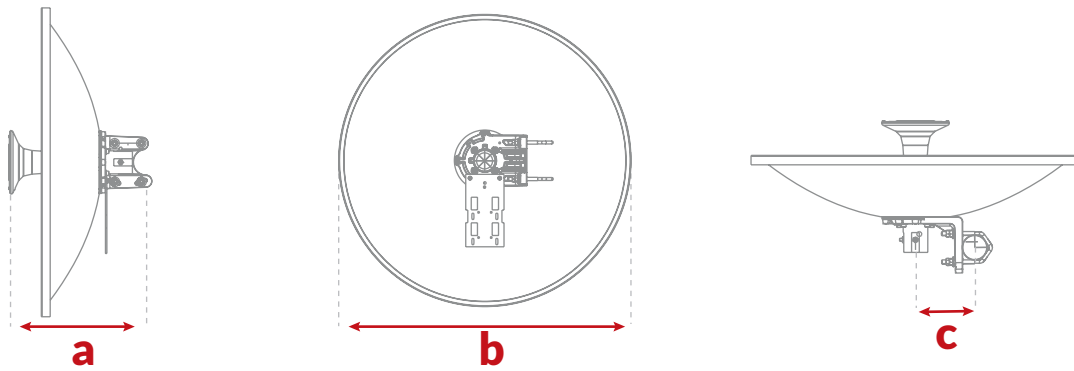


Projects designed with reference computational tools in mechanical and electromagnetic simulation



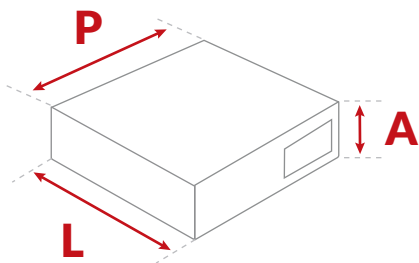
Anatel homologation of all models
3 year warranty

DIMENSIONS



	Diameter 0,6 m	Diameter 0,9 m	Diameter 1,2 m
a	267 mm	330 mm	562 mm
b	695 mm	995 mm	1280 mm
c	126 mm	180 mm	349 mm
Ø	1" to 2"	1" to 2"	2" to 4.1/2"

PACKING



	Diameter 0,6 m	Diameter 0,9 m	Diameter 1,2 m
Material	Cardboard		
Weight with packaging	6.5 kg	14 kg	39 kg
Height (A)	17.5 cm	37.6 cm	42,5 cm
Width (L)	79 cm	101 cm	132 cm
Depth (P)	79 cm	101 cm	132 cm
Volume	0.11 m ³	0.38 m ³	0.730 m ³



Technology for professional links

+55 54 3201.1903 | algcom@algcom.com.br

Ernesto Zanrosso, 3430 | Caxias do Sul - RS | Brazil | www.algcom.com.br

