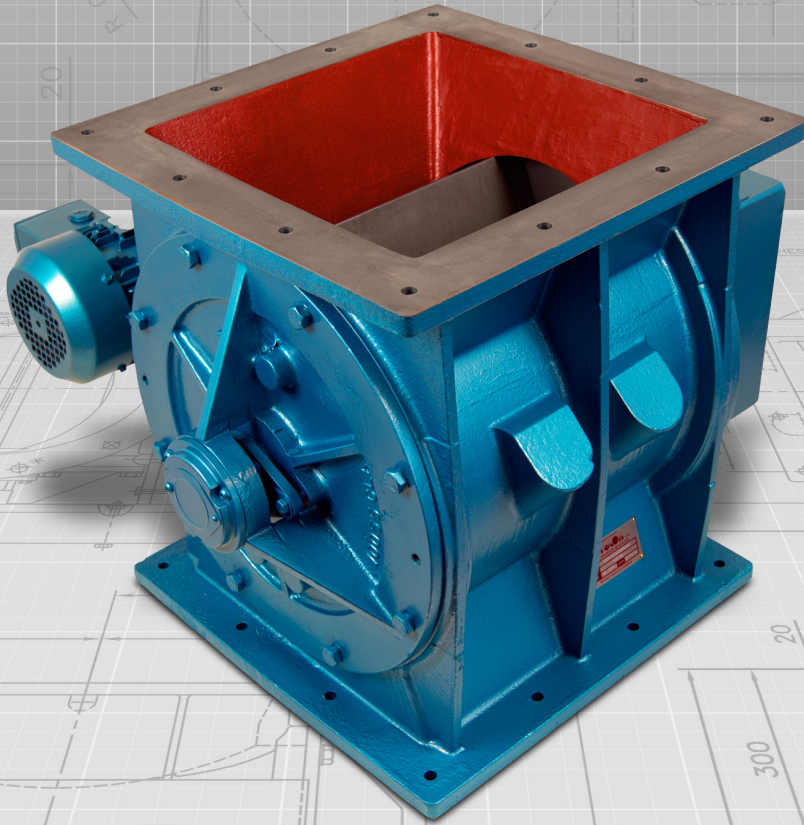


**ROTOLOK**

everything under control...



**ROTOLOK USA**

Industrial Ventures II  
2711 Gray Fox Road  
Monroe  
North Carolina  
28110  
United States of America  
Tel: +1 (704) 282 4444  
Fax: +1 (704) 282 4242  
[www.rotolok.us](http://www.rotolok.us)  
[sales@rotolok.us](mailto:sales@rotolok.us)



ROTARY VALVES & AIRLOCKS

## INTRODUCTION

The prime function of a rotary airlock is to regulate the flow from one chamber to another while maintaining a good airlock condition. The product is mainly in dry powder or granular form.

In the dust filtration field good airlocks are essential on cyclone and bag filter applications in order that the manufacturer's quoted high dust collection efficiencies can be maintained. Airlocks are also important in the pneumatic conveying industry, where product is regulated into a high pressure conveying line while minimising air leakage.

With Rotolok there are no double standards, all our standard airlocks are precision machined for close tolerances and minimal eccentricities. Pressure differentials to 20psi and temperatures to 750°F. We have made specials to handle temperatures covering 2190°F and pressures to 350psi.

## STANDARD FEATURES

- Maximum number of blades in contact with body at one time without affecting throughput.
- Good throat opening at airlock entry allowing high pocket filling efficiency.
- Minimum clearance at rotor tips and sides with body.
- Robust body adequately stiffened to prevent distortion.
- Heavy shaft diameters minimising deflection.
- Outboard bearings for non-contamination.
- Packing gland type seals.
- Maximising airlock speed to 25 rpm -prolonging life, ensuring good throughput.
- Precision machining of components.

## SPECIFICATION

### BODIES

Cast Iron, Stainless Steel or Aluminum precision bored.

### END COVERS

Cast Iron, Stainless Steel or Aluminum spigot located in body for concentricity.

### ROTOR

Fabricated Mild or Stainless Steel.

### SHAFT SEAL

Gland type with PTFE packing.

### BEARINGS

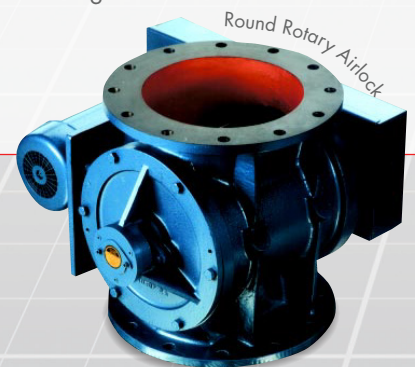
Sealed-for-life ball type rigged outboard or high temperature above 480°F.

### DRIVE

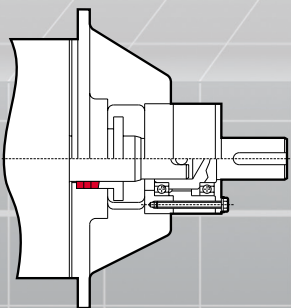
NEMA Frame C-Face TEFC motor mounted to parallel shaft gear reducer sidewall mounted to airlock body complete with taper lock sprockets and chain all in an enclosed OSHA approved guard'

## OPTIONS

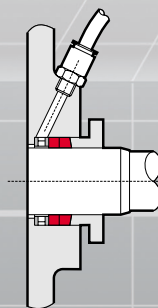
- Quick Release Rotors
- Direct Coupled Drives
- Air Purge Glands
- Body Vents
- Inlet Vent Hoppers
- Dropout Boxes
- V.S. Drives
- Speed Switches
- Explosion Proof Motors
- Shear Plate Deflectors
- Tungsten Carbide Coating
- Hard Chrome Internals
- etc.



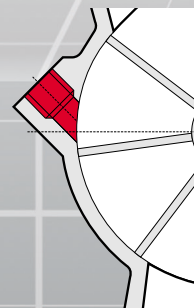
QUICK RELEASE ROTOR DETAIL



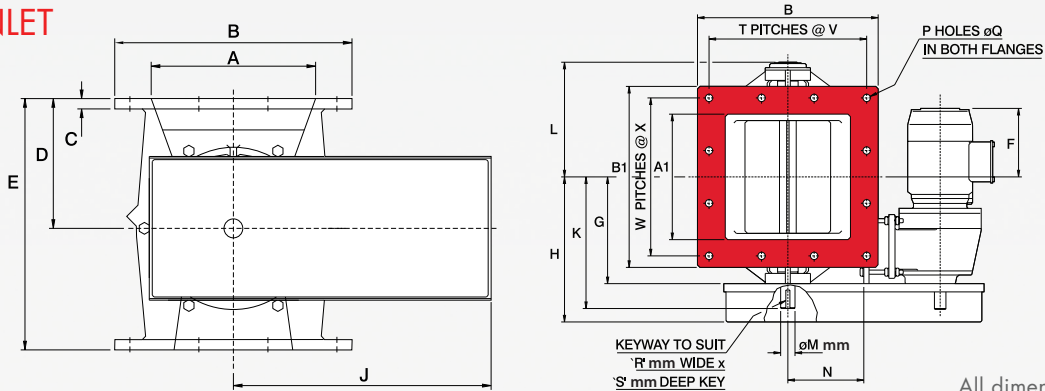
AIR PURGE GLAND



BODY VENT



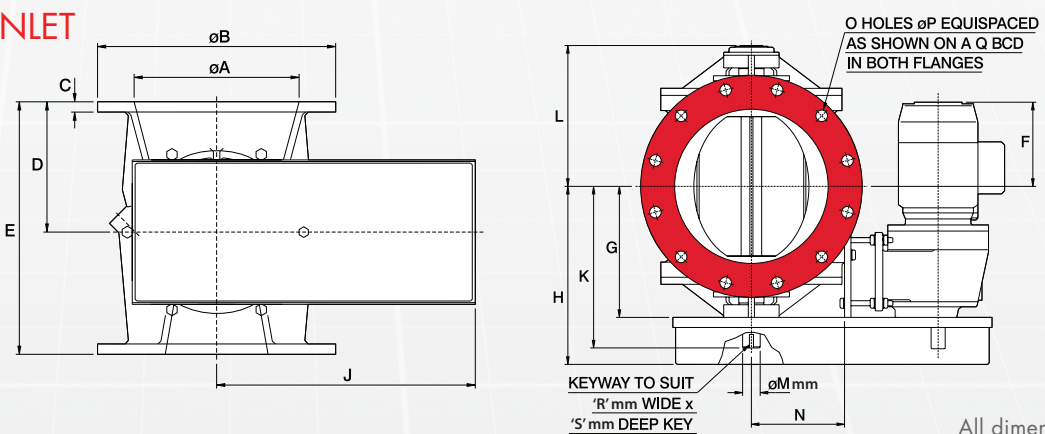
## SQUARE INLET



All dimensions are in inches

SIZE	A	A1	B	B1	C	D	E	F	G	H	J	K	L	M	N	P	Q	R	S	T	V	W	X	H.P.	ft <sup>3</sup> /rev
5	5	5	8 7/8	8 7/8	1/2	3 3/4	7 3/4	7 7/8	6 1/4	9 9/8	16	8 7/8	7	28	4 3/8	8	7/16	8	7	ON APPLICATION				1/2	0.04
6	6	6	9 5/8	9 5/8	1/2	5 1/2	11	7 7/8	6 7/8	9 9/8	16	9 1/4	7 3/4	28	4 3/8	12	1/2	8	7	3	2 3/4	3	2 3/4	1/2	0.08
8	8	8	11 1/4	11 1/4	3/4	6 1/2	13	6 7/8	7 7/8	10 10/8	16	10 1/4	8 7/8	28	5 3/8	12	1/2	8	7	3	3 3/8	3	3 3/8	1/2	0.21
10	10	10	13 1/4	13 1/4	3/4	7 1/2	15	7 7/8	9	12 1/4	18 1/8	11 1/2	9 3/4	35	6 3/8	12	3/8	10	8	3	4	3	4	1	0.42
12	12	12	15 3/4	15 3/4	3/4	9 1/8	18 1/8	6 3/4	10 1/4	13 3/8	18 1/8	12 3/4	11	35	7 1/8	12	1/2	10	8	3	4 1/8	3	4 1/8	1	0.74
14	14	14	18 1/2	18 1/2	3/4	10 1/2	20 1/4	6 3/4	10 3/4	14 3/8	20 1/4	13	11 3/4	35	8 1/8	12	1/2	10	8	3	5 1/2	3	5 1/2	1	1.09
16	16	16	21 1/4	21 1/4	3/4	11 1/2	22 1/4	4 1/2	13	16 3/4	24 1/4	15 3/4	13 3/4	50	9 1/4	12	1/4	14	9	3	6 1/2	3	6 1/2	1 1/2	1.73
18	18	18	24	24	3/4	12 3/4	24 1/4	3 3/4	14	17 3/4	24 3/4	16 1/4	14 3/4	50	11 1/4	12	1/4	14	9	3	7 3/8	3	7 3/8	2	2.47
20	20	20	25 3/4	25 3/4	3/4	13 3/8	26 3/8	5	15	18 3/4	27 1/2	17 3/8	15 3/8	50	11 3/8	16	1/4	14	9	4	5 1/8	4	5 1/8	2	3.42
24	24	24	29 1/4	29 1/4	3/4	15	29 1/2	4 1/2	17	20 3/4	27 1/2	19 3/4	17 3/4	50	13 3/8	16	1/4	14	9	4	6 1/8	4	6 1/8	3	5.94
30	29 1/2	29 1/2	39 3/8	39 3/8	1	19 3/8	39 3/8	3	19 3/4	25 1/4	35 3/4	23 3/4	20 1/2	70	17 1/8	24	1/4	20	12	6	5 3/8	6	5 3/8	3	11.3
36	36	36	45 1/4	45 1/4	1	23 3/4	47 1/4	-1	23 3/4	29 3/4	39 3/4	27 3/4	24 3/4	70	21 1/4	24	3/8	20	12	6	6 3/8	6	6 3/8	5	19.3

## CIRCULAR INLET



All dimensions are in inches

SIZE	A	B	C	D	E	F	G	H	J	K	L	M	N	O	P	Q	R	S	H.P.	ft <sup>3</sup> /rev
2	2	6	3/4	2 3/4	4 3/4	*	3	ON APPLICATION										0.003		
3 1/2	3 3/4	7 1/2	3/4	3 3/4	6 3/4	*	4 3/4	ON APPLICATION										0.15		
5	5	9 1/2	1/2	4 3/4	8 1/2	7 3/4	6 1/4	9 9/8	16	8 7/8	7	28	5 3/8	8	1/16	7 7/8	8	7	1/2	0.04
6	6	11 1/4	1/2	5 1/2	10 1/4	7 7/8	6 7/8	9 9/8	16	9 1/4	7 3/4	28	5 3/8	8	3/16	9 1/2	8	7	1/2	0.08
8	8	12 3/4	1/2	6 1/4	12 1/4	6 7/8	7 7/8	10 10/8	16	10 1/4	8 7/8	28	5 3/8	8	1/16	11	8	7	1/2	0.21
10	10	14 1/2	3/4	7 7/8	15	8	9	12 1/4	18 1/8	11 3/4	9 3/4	35	6 3/8	8	1/16	12 3/8	10	8	1	0.42
12	12	17 3/8	3/4	9 1/2	18 3/8	6 3/4	10 1/4	13 3/8	18 1/8	12 3/4	11	35	7 1/8	12	3/8	15 1/2	10	8	1	0.74
14	14	21	3/4	10 3/4	20 1/2	6 3/4	10 3/4	14 3/8	20 1/4	13	11 3/4	35	8 1/8	12	3/8	17 1/2	10	8	1	1.09
16	16	21 1/4	3/4	11 1/2	22 1/4	4 3/4	13	16 3/4	24 1/4	15 3/4	13 3/4	50	9 1/4	12	3/8	19 1/2	14	9	1 1/2	1.73
18	18	25	3/4	12 3/4	24 3/4	4	14	17 3/4	24 3/4	16 1/2	14 3/8	50	11 1/4	16	1/4	22 3/4	14	9	2	2.47
20	20	27 1/2	3/4	13 3/8	26 3/8	5	15	18 3/4	27 1/2	17 3/8	15 3/8	50	11 3/8	20	1/4	25	14	9	2	3.42
24	24	32	3/4	15 1/4	30	5	17	20 3/4	27 1/2	19 3/4	17 3/4	50	13 3/8	20	1/4	29 1/4	14	9	3	5.94
30	30	38 3/4	1	19 3/8	39 3/8	2	19 3/4	25 1/4	35 3/4	23 3/4	20 1/2	70	17 1/8	28	1/4	36	20	12	3	11.3

Dimensions are approximate and subject to change without notice  
 Planning-in detail for general guidance only  
 (To cover safety aspects ask for our safety leaflets)  
 Drills are Rotolok standards. Variations can be made.



## AIRLOCK SELECTION

The chart below gives theoretical and estimated throughputs on the basis of rotor speed. The theoretical figure is determined by the swept volume of the airlock and is calculated on a pocket fillage of 100%. In practice this is seldom achieved as density, product characteristics, pressure differential, feeding methods, all affect the airlock throughput efficiency. On these considerations the estimated figures are assessed and are more acceptable for selecting the correct airlock. e.g. Select an airlock to handle 7 tons/hour of flour at 35 lb/cu. ft. Volume required =  $7.0 \times 2000 \div 35 = 400$  cu.ft/hr.

From the chart, the 12" unit running at 10 RPM covers this requirement.

Factors other than throughput can sometimes determine airlock selection. This is particularly true on cyclone and filter applications where the airlock inlet size to prevent bridging can become the governing factor, always with the proviso that the potential airlock discharge rate exceeds the collecting rate.

		CAPACITY CHART IN CUBIC FEET/HR												
AIRLOCK SIZE		1	5	8	10	12	14	16	18	20	22	24	26	
	36"	1158	5792	9266	11583	13900	16216	18533	20849	23166	25483	27799	30116	100%
1158		5792	8803	10425	12232	13946	15568	16888	18069	18857	19737	20479	Practical	
30"	681	3405	5448	6809	8171	9533	10895	12257	13619	14981	16343	17704	100%	
	681	3405	5176	6128	7190	8198	9152	9928	10623	11086	11604	12039	Practical	
24"	356	1780	2848	3560	4272	4984	5696	6408	7120	7832	8544	9255	100%	
	356	1780	2706	3204	3759	4286	4785	5190	5554	5796	6066	6293	Practical	
20"	205	1024	1639	2048	2458	2868	3277	3687	4097	4506	4916	5326	100%	
	205	1024	1557	1843	2163	2466	2753	2968	3196	3334	3490	3622	Practical	
18"	149	743	1189	1487	1784	2082	2379	2676	2974	3271	3568	3866	100%	
	149	743	1130	1338	1570	1791	1998	2168	2320	2420	2533	2629	Practical	
16"	104	519	830	1037	1245	1452	1660	1867	2075	2282	2490	2697	100%	
	104	519	789	933	1096	1249	1394	1512	1618	1689	1768	1834	Practical	
14"	65.2	326	521	652	782	912	1043	1173	1303	1434	1564	1694	100%	
	65.2	326	495	587	688	784	876	950	1016	1061	1110	1152	Practical	
12"	45.4	227	363	454	545	636	727	818	908	999	1090	1181	100%	
	45.4	227	354	409	480	547	611	663	708	739	774	803	Practical	
10"	25.6	128	205	256	307	359	410	461	512	564	615	666	100%	
	25.6	128	195	230	270	309	344	373	399	417	437	453	Practical	
8"	12.7	63	101	127	152	177	203	2288	253	279	304	329	100%	
	12.7	63	96	114	134	152	171	185	197	206	216	224	Practical	
6"	5.0	25	40	50	60	71	81	91	101	111	121	131	100%	
	5.0	25	38	45	53	61	68	74	79	82	86	89	Practical	
5"	2.8	14	23	28	34	39	45	51	56	62	68	73	100%	
	2.8	14	22	25	30	34	38	41	44	46	48	50	Practical	
3"	.96	4.8	7.7	9.6	11.5	13.4	15.4	17.3	19.2	21.1	23	25	100%	
	.96	4.8	7.3	8.6	10.1	11.5	12.9	14	15	15.6	16.3	17	Practical	
2"	.228	1.1	1.8	2.3	2.7	3.2	3.6	4.1	4.6	5.0	5.5	5.9	100%	
	.228	1.1	1.7	2.1	2.4	2.7	3	3.3	3.6	3.7	3.9	4	Practical	

## NOTES

### THROUGHPUT

Certain products when fluidised can greatly exceed the conservative rating and on some applications, e.g. cement, 100% pocket fillage has been known to occur - similarly light products up to 15lb/cu. ft. the opposite effect can happen.

### TEMPERATURE

Note: On any application above ambient (70°F) it is important to specify operating temperatures so rotor compensation for expansion can be adjusted as necessary

### CONVERSIONS

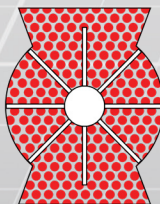
Divide cubic feet/hr by 35.3 to obtain cubic metre/hr.

Theoretical capacity 100% pocket fillage efficiency.

Conservative estimates.

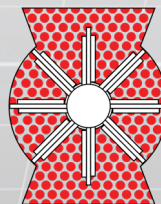
## STANDARD ROTORS

Rotolok basically manufactures four types of rotor as outlined, but to give the plant engineer flexibility many variations can be accommodated, e.g. closed/tipped, reduced volume, staggered blades etc. We will make a rotor to suit your application - not our production.



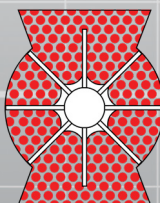
Open fixed bladed rotor

Suitable for general range of products and particularly suitable on conveying systems to pressure of 15 psi. Sealing is by packing gland type with standard packing being fluon or equal.



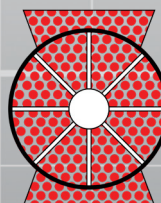
Open adjustable bladed rotor

Suitable for most products and pressure differentials to 20 psi. Blades are adjustable, reversible and replaceable and can be supplied in mild steel, PVC rigid, PTFE, stainless steel etc. to suit particular product. Can be adapted to suit highly abrasive materials.



Scalloped rotor

Particularly suitable for "sticky" materials and discharge can be further aided by the application of PTFE coating, generally used in food processes where no product build-up can be tolerated. Pressures to 15 psi are applicable.



Closed rotor

Suitable for general use on filters, cyclones, silos, screw conveyors and on low pressure conveying systems. Sealing by means of packing gland.

