

iCompost

Users Guide

Ver: 1.3

Model: iCompost (2L)



BY THE COMPOST KITCHEN (PTY) LTD

Table of Contents

1	Safety Instructions	2
2	Safety Standards	2
3	Specifications	3
4	Introduction	3
5	General Description	4
6	Setup	5
7	Regular Use	5
8	Functions	7
9	Maintenance	8
10	Troubleshooting	9
11	Frequently Asked Questions	10

1 Safety Instructions

When using electrical appliances, basic safety precautions should always be followed including the following:

- 1.1 Read all instructions before using your iCompost device.
- 1.2 To protect against risk of electrical shock do not put the iCompost unit in water or other liquid.
- 1.3 This appliance is not intended for use by children or by persons with reduced physical, sensory, or mental capabilities, or lack of experience and knowledge. Close supervision is necessary when any appliance is used near children. Children should be supervised to ensure that they do not play with the appliance.
- 1.4 Turn the appliance OFF, then unplug from the outlet when not in use, before assembling or disassembling parts and before cleaning. To unplug, grasp the plug and pull from the outlet. Never pull from the power cord.
- 1.5 Avoid contacting moving parts.
- 1.6 Do not operate an appliance with a damaged cord or plug, or after the appliance has malfunctioned, has been dropped or damaged in any way. Contact iCompost Technical Support for information on the inspection, repair, or adjustment
- 1.7 The use of accessories that are not sold by the manufacturer are not recommended, it might result in fire, electric shock or injury.
- 1.8 Do not let the power cord hang from a table or counter.
- 1.9 The blades are sharp. Handle carefully.
- 1.10 The machine will not activate if the lid is not closed fully to prevent accidental harm. Do not attempt to bypass the safety feature
- 1.11 Do not fill the bucket above the maximum fill line to avoid risk of injury or damage to the appliance.
- 1.12 CAUTION To provide continued protection against risk of electric shock, connect to properly grounded outlets only.
- 1.13 CAUTION - HOT Risk of burns. Wait until the end of the cycle, when the cooling phase is complete, before removing the bucket.
- 1.14 Unplug the device before inserting or removing parts.
- 1.15 For indoor, household use only
- 1.16 Be careful not to mistakenly pour water in the machine thinking that the bucket is there when it is actually not

2 Safety Standards

This equipment has been independently tested by an accredited laboratory and found to comply with the limits for SANS 60335-1 / IEC 60335-1 *Household and Similar Appliances*. iCompost is permitted for sale in South Africa under Letter of Authority No. 176781001 issued to THE COMPOST KITCHEN (PTY) LTD.

3 Specifications

Product Name	iCompost
Model No.	2L
Input	230 V , 50 Hz
Rated Power	500 W
Processing Capacity	2 L or 1 kg
Feed type	Batch
Net Weight	9.8 Kgs
Product Size	H379 X L288 X W308 mm
Product Color	White
Warranty	1-Year (see full policy at www.icompost.co.za/warranty-policy)
Motor rating	2800 Rpm
UV type	UVC 270nm max
Bucket material	Aluminium, non-stick coated
Body material	ABS
Motor type	Brushless
Safety feature	Auto-Reverse Grind System, Overload Protector
Certification	SANS/IEC 60335-1, NRCS license no. 176781/001

4 Introduction

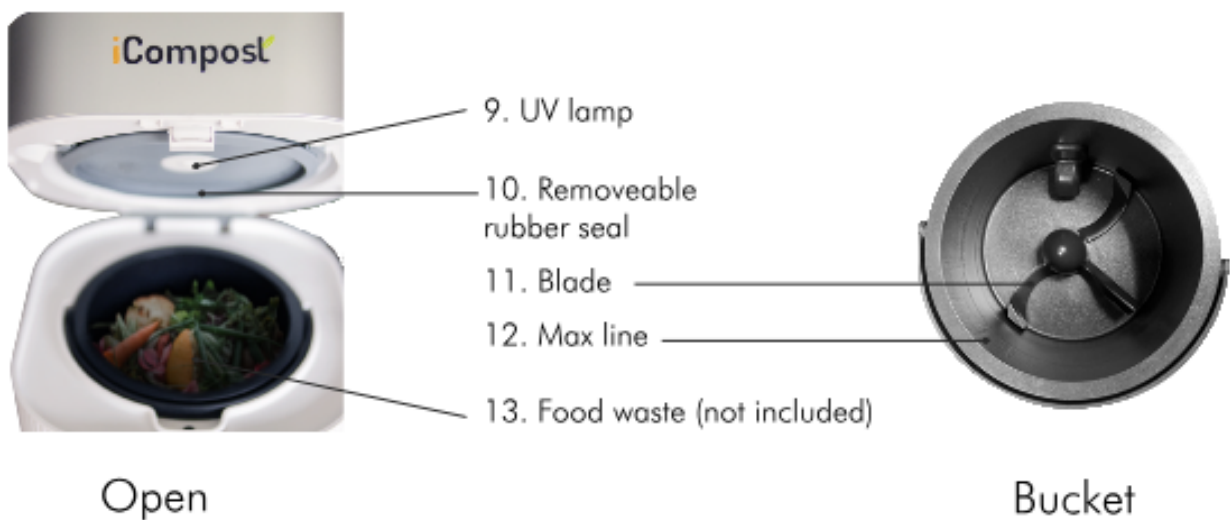
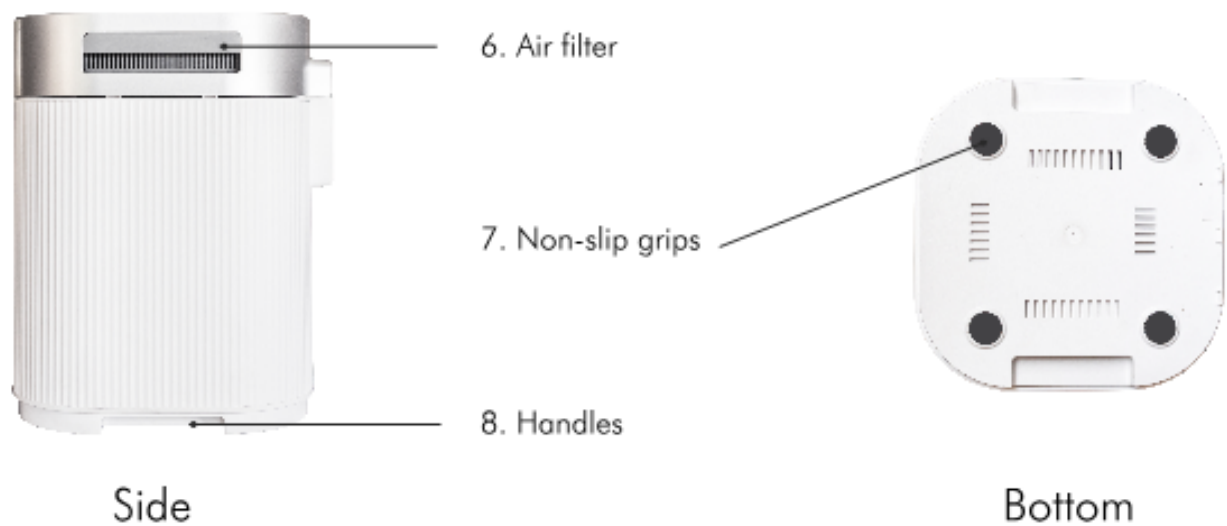
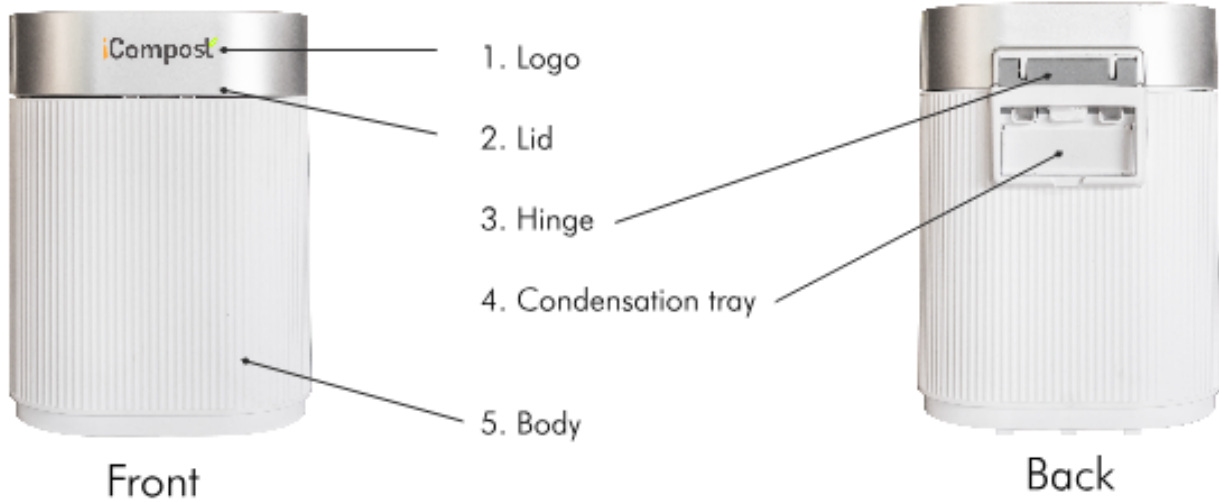
Congratulations on your purchase and welcome to iCompost!

Our soils are in deep need of repair and our landfills are filling up with food waste, however, the food waste can be used to repair our soil. The objective of iCompost is to make composting such a pleasant and convenient experience that it kick-starts a ‘compost revolution’, where it inspires all people do something to transform their food waste into compost that can be used to repair soil.

iCompost turns your food waste into compost at the touch of a button. Every day you put your kitchen scraps in the machine, press START, and when you wake up in the morning you will have early-stage compost that you can use in your garden.

Composting is more of an art than a science, so your experience using iCompost will differ from day to day, and will require judgment and adjustment, but this Users Guide contains the basic do’s and don’ts to ensure the device works optimally.

5 General Description



6 Setup

- 6.1 Remove the stickers in and around the bucket
- 6.2 Remove the thin plastic, transport protector film on the control panel
- 6.3 Place on a flat, dry, stable surface in a well-ventilated area
- 6.4 Ensure the air filter is inserted into slot with the 'iCompost' branding side down
- 6.5 Ensure the condensation collector tray is inserted
- 6.6 Place in a well-ventilated room. Avoid placing it in a cupboard or box. Recommended places to keep the machine are near a window, in the garage, kitchen, scullery or balcony.
- 6.7 To ensure proper ventilation, make sure that the air filter side does not have any obstruction
- 6.8 Plug in iCompost



7 Regular Use

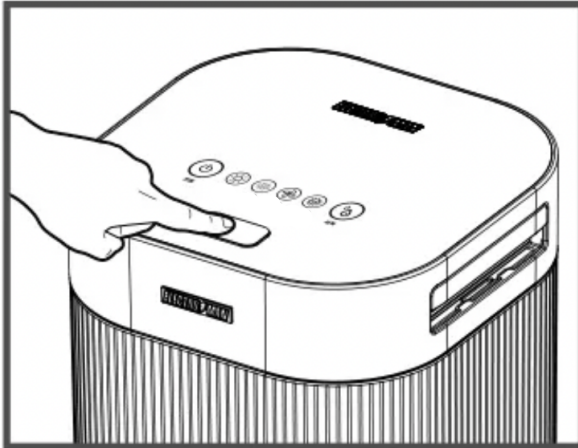
7.1 Filling

- 7.1.1 Make sure the bucket fits low and snugly
- 7.1.2 Only fill food waste up to the engraved maximum line in the bucket
- 7.1.3 You can fill the bucket daily and run it when it is full, however it is recommended to not keep the waste more than 1 week
- 7.1.4 If the machine is plugged in, it will automatically go into Storage Mode after 10 seconds, where it keeps a UV light on to sterilize the waste, and it will turn slowly to mix the waste. The fan will also activate gently to prevent the waste from smelling. Storage Mode is indicated by the UV and Power indicator being illuminated
- 7.1.5 For a full list of what can and can't go in iCompost, see our blog: www.icompost.co.za/blog

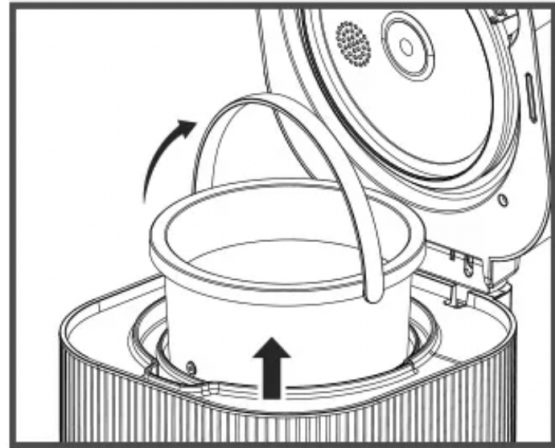
7.2 Running

- 7.2.1 Add a teacup of water (approx. 100ml) in the bucket with the waste
- 7.2.2 Add 4 Tbsp Compost Activator per cycle. If the waste is very wet, 6 Tbsp can be added
- 7.2.3 Close the lid, pressing quite firmly until you hear a click. The control panel will light up when the lid is closed
- 7.2.4 Hold ON for 2 seconds to begin a cycle. 3 beeps will confirm activation and the Power and Dry indicator will be illuminated
- 7.2.5 Avoid opening while a cycle is running. The cycle will have to start again after cooling
- 7.2.6 If the electricity is interrupted, it will have to start again when the power resumes, but the cycle might be shorter than usual since drying has already occurred previously
- 7.2.7 When the cycle is complete, it will beep 3 times and automatically go into *Storage Mode* after 30 minutes. *Storage Mode* will come on and off periodically.

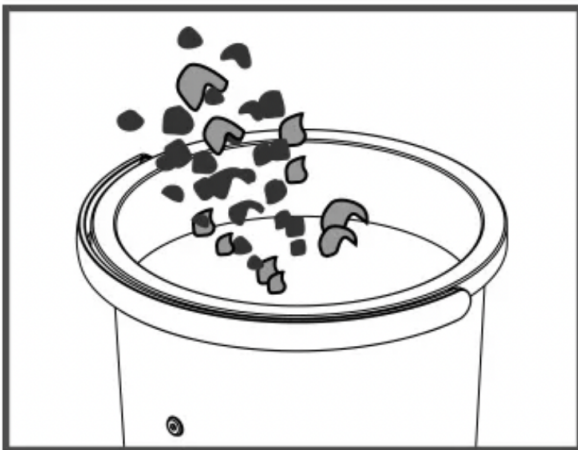
Press OPEN BUTTON to open the cover



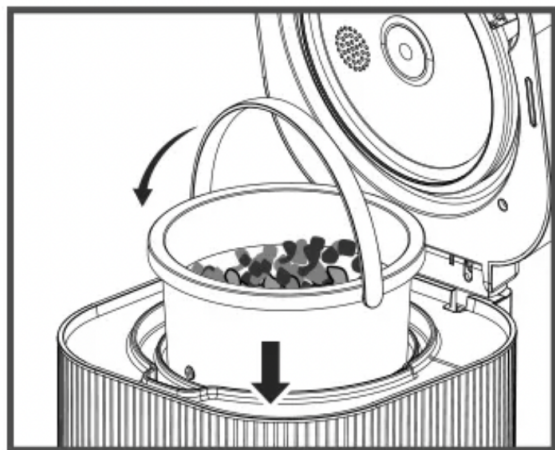
Take out the treatment bucket



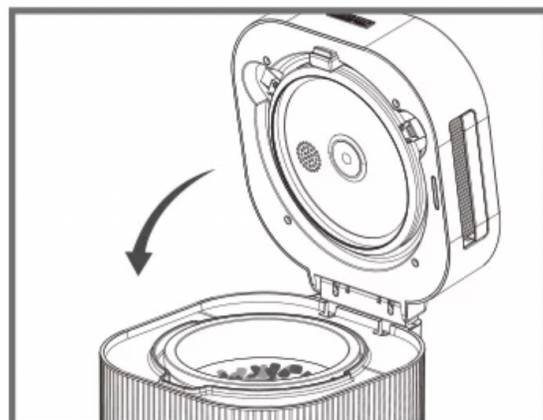
Put the food wastes into the treatment bucket



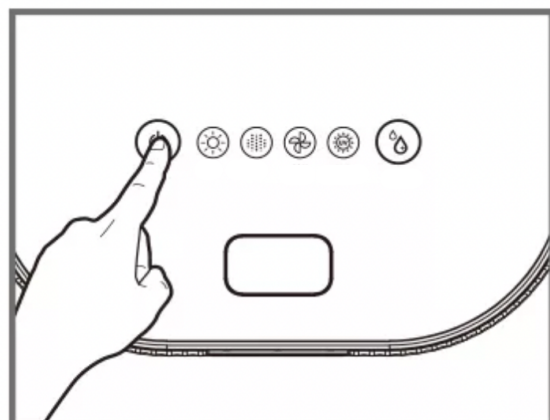
Put the treatment bucket back into the machine



Close the lid by pressing firmly



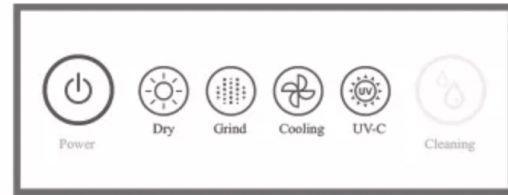
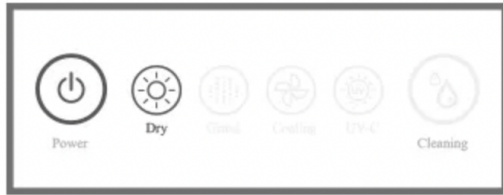
Touch the "on/off" symbol



8 Functions

Phase I

Drying mode is on. The heating plate starts to heat the bucket and the blade starts to turn periodically



Phase IV

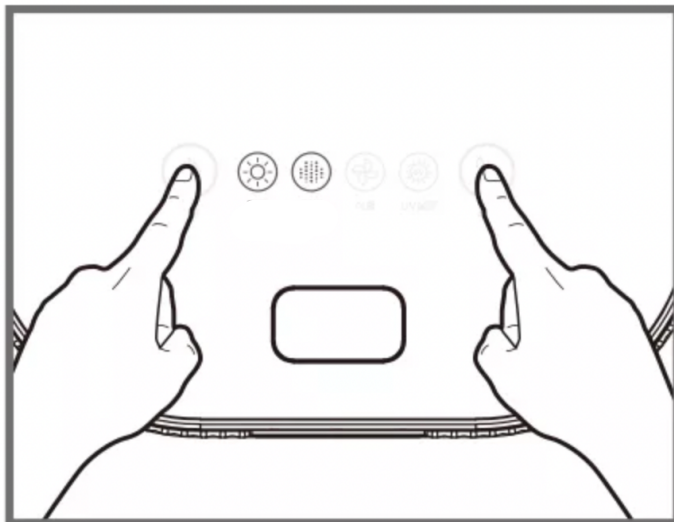
After 3 beeps, the cycle is complete, and the lights go off. After 30 minutes, Storage Mode will be activated with Power and UV indicators lit.

Phase II

Drying and Grind modes are on. The heating plate keeps heating the waste, and the blade turns at 'full speed'. This phase could last approx.. 1.5 hrs depending on the moisture of the waste

Phase III

Drying and Grind modes are complete. Cooling & UV-C (sterilization) modes are activated



All Clear Operation

Long press *Power* & *Clean* mode for 5 seconds to clear any error.

If the lid is opened during a cycle, the device will enter *Safe* mode where it will not be able to restart until the temperature of the heating plate has reduced to normal.

9 Maintenance

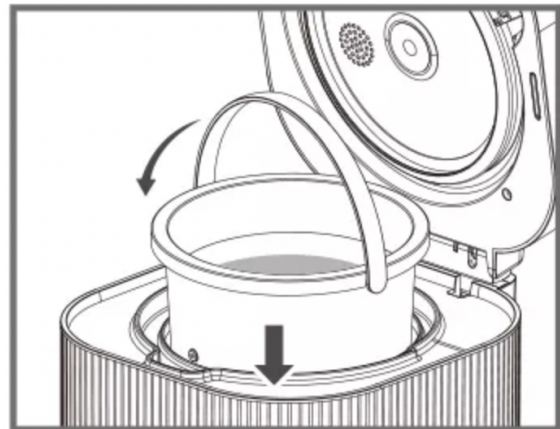
9.1 Cleaning

- 9.1.1 If compost is stuck on the bottom or side, fill halfway with water, then press Clean mode.
- 9.1.2 If food gets stuck on the inside rubber seal, remove it for cleaning by pressing 2 clips simultaneously
- 9.1.3 Careful not to pinch fingers in the blade while cleaning
- 9.1.4 Avoid using metal cleaning objects on the **non-stick** surface of the bucket
- 9.1.5 Empty the condensation tray after each use

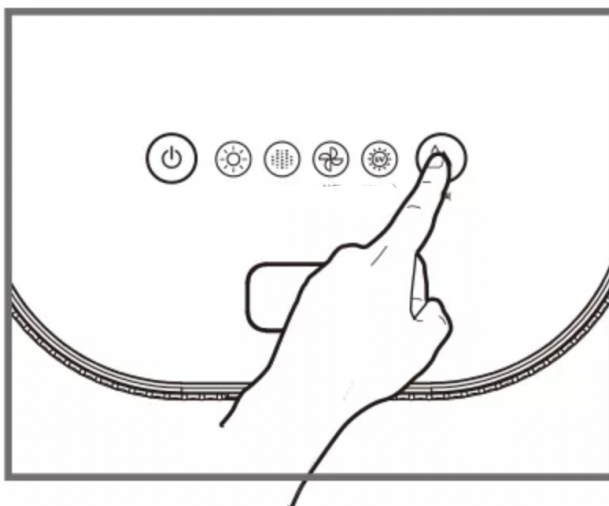
Fill water to just above the blade



Put the bucket back into the machine



Touch the Cleaning button on the panel



The "UV" and "Clean" mode indicators light up. Sterilizes for 15 mins

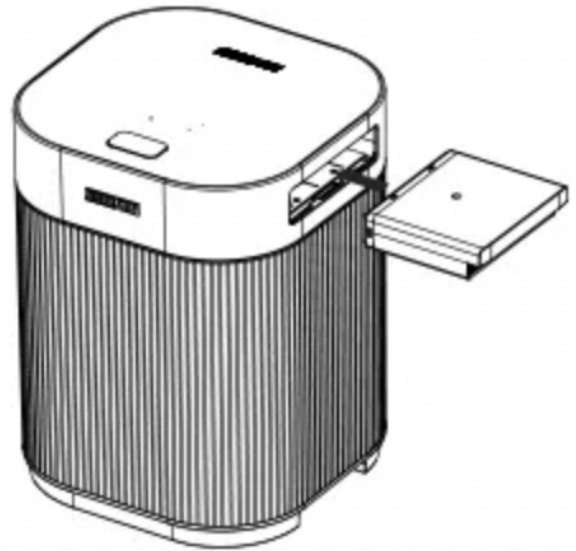


Only "Clean" mode indicator lights up. Boils water for 15 mins



9.2 Refreshing Air Filter

- 9.2.1 When you sense that the air coming out of the machine has an odour, it is time to change the filter contents
- 9.2.2 Pull out the cartridge
- 9.2.3 Remove 2 screws
- 9.2.4 Empty the spent Activated Carbon in your compost heap or mix it with your soil
- 9.2.5 Fill fresh Activated Carbon from a refill packet
- 9.2.6 Seal 2 screws again
- 9.2.7 Shake the cartridge to remove any dust
- 9.2.8 Insert the cartridge back into the machine



10 Troubleshooting

	Symptom	Cause	Solution
10.1	Beeps 5 times with Heat and Grind light continuously flashing	Blade is stuck from too large food, long fibers in food or too much food	Remove excess food. Hold <i>Power</i> and <i>Clean</i> to clear any error Fill with water and put on <i>Clean</i> mode
10.2	Beeps 5 times after opening mid-way through a cycle	The heating plate is too hot to start	Hold <i>Power</i> and <i>Clean</i> to clear any error. Allow to cool for 10 mins then try again
10.3	Makes 'flatulence' noises	'Rubbery' waste is getting stuck under the blade and rubbing against the bucket	Cut up large pieces of waste before putting in bucket
10.4	Mold growing on output compost	Perfectly normal and a good sign of a good output	Cover with soil
10.5	Odour while operating	Too low carbon/nitrogen ratio or filter is saturated	Add more Compost Activator or refresh filter
10.6	Output compost was chunky	This sometimes happens with sticky waste such as melon	Add more dry material like bread
10.7	A 'cake' layer forms on the bottom and sides of the bucket	The waste heated unevenly and too quickly	Add more water to the waste at the start. Use <i>Clean</i> mode to remove
10.8	Cycle goes on much longer than 5 hours	The moisture sensor could be clogged with debris	Remove the air filter during operation to clear the vents
10.9	Cycle was very short and the output was still wet	Removing the air filter during operating can cause the humidity sensor to think that the contents are completely dry	Avoid removing the air filter during operation unless 10.8. Restart the cycle

11 Frequently Asked Questions

11.1 Can I add paper towels, biodegradable plastics and compostable cups inside iCompost?

iCompost has not been tested with these objects so it is not recommended to add them.

11.2 Can I run a half load? How full is the minimum and maximum?

You can run a load as small as you want, however do not run it on empty. There is an engraved line inside the bucket which indicates the maximum.

11.3 What happens if I open the lid or iCompost is unplugged in the middle of a cycle? Can I add waste while a cycle is in progress?

The cycle will be interrupted and will have to start from the beginning after the machine cools down again.

11.4 What does the Compost Activator do?

The Compost Activator is a proprietary blend of ingredients that accelerate partial biodegradation, balance the carbon/nitrogen ratio, balance the pH, and prepare the output compost for further degradation in the soil.

For further support, join the iCompost owners' community where you can learn from others' experiences or share yours. You can find it through our social media pages.

Scan the QR code below or visit icompost.co.za/users-guide-icompost for the latest updates



www.icompost.co.za
Facebook: @compostkitchen
Instagram: @thecompostkitchen
The Compost Kitchen (Pty) Ltd
Reg. No. 2019/166214/07

iCompost

By The Compost Kitchen (Pty) Ltd