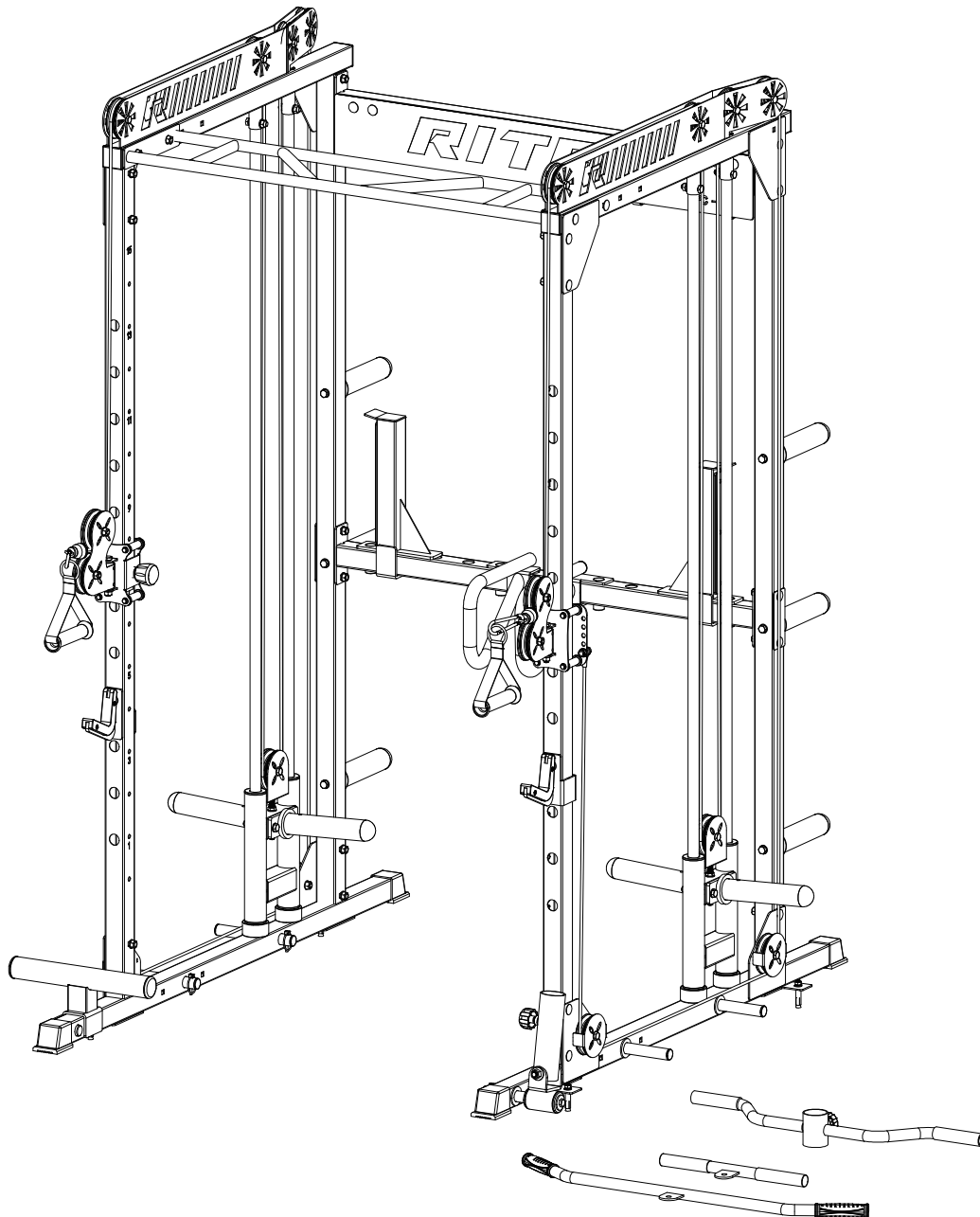


RITFIT

POWER CAGE WITH CABLE CROSSOVER M1-C



OWNER'S MANUAL & ASSEMBLY INSTRUCTIONS

SAFETY & PRECAUTIONS

IMPORTANT: READ ALL PRECAUTIONS CAREFULLY BEFORE USING THIS PRODUCT. RETAIN OWNER'S MANUAL FOR FUTURE REFERENCE.

- In the event should you find this product has either a defective or a missing part, do not use substitute parts or try to use the unit in an incomplete form. Please contact RITFIT for a replacement.
- Additional features on products may be added during seasonal production but may not be featured in line art diagrams at time of production. Changes of such will not affect the performance or assembly of the unit. If you would like further clarification during your assembly process please feel free to contact RITFIT for direction.
- This product has been designed for light commercial or home use only. Light commercial can be defined as a location with multiple users but not in a membership setting. Examples would be hotels, fire departments, high schools, etc. Commercial use would include, but not limited to, locations that accept membership for use of equipment.
- This exercise equipment was designed and built for optimum safety. However certain operator precautions apply whenever you operate a piece of exercise equipment. Please note the following safety procedures:
 1. Keep children and pets away from this equipment.
 2. Always inspect equipment prior to assuring the structural integrity. Some parts may need occasional maintenance due to wear and tear.
 3. Lubricate moving parts as needed (depends on use but once a month is a good rule to follow).
 4. One person at a time should use this equipment unless otherwise designed for safety (example: spotter stand on some weight benches).
 5. If dizziness, nausea, chest pains, or any other abnormal symptoms are experienced while using this equipment, stop the workout at once. CONSULT A PHYSICIAN IMMEDIATELY.
 6. Always use this equipment on a level surface. Do not use outdoors or near water.
 7. Keep hands and feet away from any moving parts that are not intended to have body parts near them while in use.
 8. Do not insert any object into any openings unless object is supposed to be inserted into a particular place (such as a pin in a weight stack).
 9. Before using this equipment, always do stretching exercise to warm up.
 10. Use this equipment only for its intended use as described in manual.
 11. Always wear appropriate workout clothing and shoes when exercising. DO NOT WEAR ROBES OR OTHER CLOTHING THAT COULD BECOME CAUGHT IN THE EQUIPMENT.
 12. BEFORE BEGINNING ANY EXERCISE PROGRAM, CONSULT YOUR PHYSICIAN.
 13. If you have any question, please e-mail our customer service team at support@ritfitsports.com.

CARE AND MAINTENANCE

- Inspect and tighten all parts before using the equipment.
- The equipment can be cleaned using a damp cloth and mild non-abrasive detergent. DO NOT use solvents.
- Examine the equipment regularly for signs of damages or wear.
- Replace any defective components immediately and/or keep the equipment out of use until repair.
- Failure to examine regularly may affect the safety level of the equipment.

Power Cage Warranty

A. What's Covered Under RitFit LLC's Basic Warranty?

Basic Warranty.

B. Who Is Covered?

You are covered by the Basic Warranty if you are a purchaser of the RitFit Power Cage.

C. What's Covered?

The Basic Warranty covers the cost of all parts and labor needed to repair any item on your power cage when it left the manufacturing plant that is defective in material, workmanship or factory preparation. These warranty repairs or adjustments will be made by RitFit at no charge, using new or remanufactured parts.

D. When It Begins?

The Basic Warranty begins from the date of order.

E. When It Ends?

The Basic Warranty lasts for 36 months from the date it begins, but the following items are covered only for 12 months: bolts, nuts, washers, foot covers, J-hooks and plate storage pegs.

F. What's Not Covered?

Please note that while the standard Basic Warranty applies to defects in material and/or workmanship, it does not cover the power cage's matte finish appearance. Maintaining the matte finish appearance is solely the responsibility of the owner. Basic Warranty doesn't cover damage caused by environmental factors such as airborne fallout, insect damage, chemicals, salt, and ocean spray. Nor does your warranty cover damage caused by hailstorms, windstorms, tornadoes, sandstorms, lightning, floods, and earthquakes. Your warranty does not cover conditions resulting from anything impacting the power cage.

G. How To Contact Us?

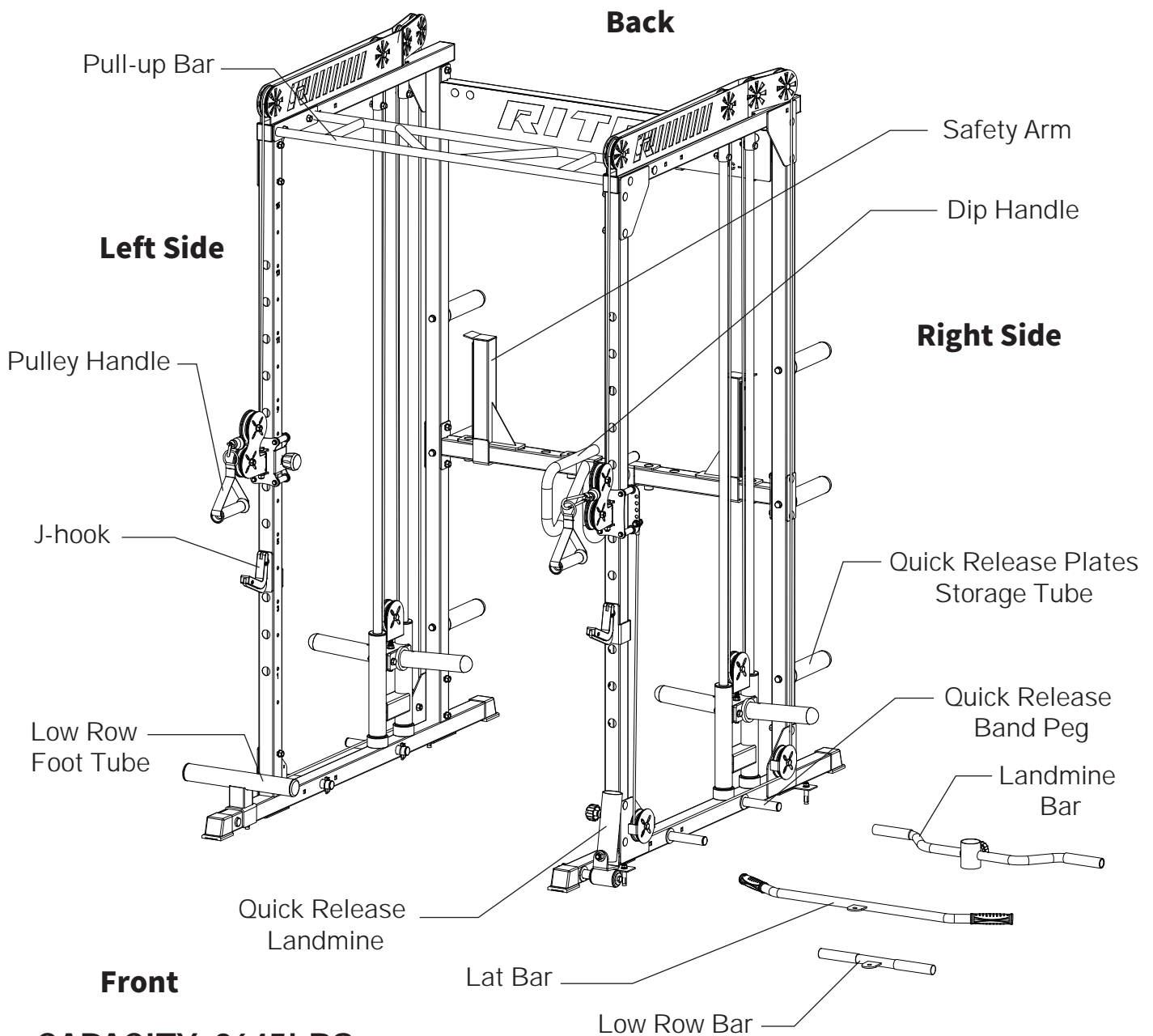
To ensure you receive the best technical support, please visit our website: www.ritfitsports.com and register your warranty. Customers with registered warranties are given a profile that allows for easier support and for us to contact you with important product notifications. If any parts are missing, worn, damaged or broken before the assembly, or you ever need to replace the parts, please contact us at support@ritfitsports.com.

BEFORE YOU BEGIN

Thank you for selecting the versatile RitFit® Power Cage with Cable Crossover. RitFit® Power Cage with Cable Crossover is designed and manufactured to optimize users' workout performance and minimize adjustment or set-up time for users.

For your benefit, read this manual carefully before using the Power Cage with Cable Crossover. If you have additional questions, please contact RitFit Customer Service Department at support@ritfitsports.com. To help us assist you, please note the product model number and serial number before calling. The model number is M1-C.

BEFORE READING FURTHER, PLEASE REVIEW THE DRAWING BELOW AND FAMILIARIZE YOURSELF WITH THE PARTS THAT ARE LABELED.

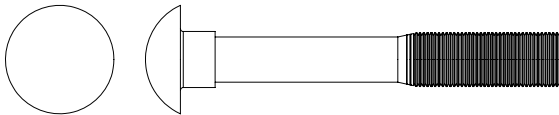


CAPACITY: 2645LBS

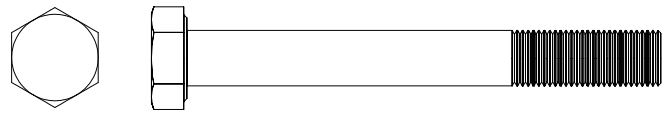
PARTS LIST

·FASTENER AND TOOLS

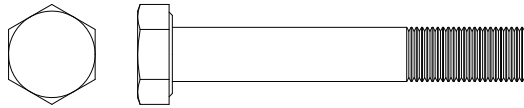
NO.	DESCRIPTION	QUANTITY
a	M10x70 Square Neck Bolt	28
b	M10x80 Hex Bolt	4
c	M10x45 Hex Bolt	4
d	M10x25 Hex Bolt	2
e	M10x20 Hex Bolt	6
f	M10 Nut	38
g	M10 Washer	54
h	Open-ended Wrench 17-19	1
i	Open-ended Wrench 14-17	1
j	Hex Key 4#	1
k	M10 Expansion Bolt	4
l	Lubricating Oil	1
m	L-pin	5



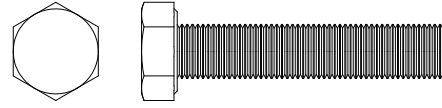
(a) M10x70 Square Neck Bolt
28x



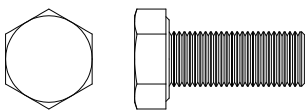
(b) M10x80 Hex Bolt
4x



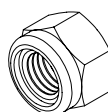
(c) M10x45 Hex Bolt
4x



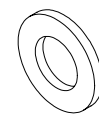
(d) M10x25 Hex Bolt
2x



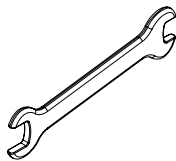
(e) M10x20 Hex Bolt
6x



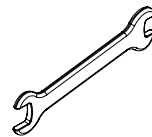
(f) M10 Nut
38x



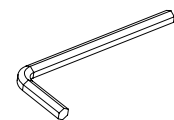
(g) M10 Washer
54x



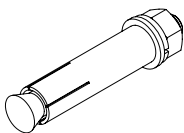
(h) Open-ended Wrench 17-19
1x



(i) Open-ended Wrench 14-17
1x



(j) Hex Key 4#
1x



(k) M10 Expansion Bolt
4x



(l) Lubricating Oil
1x

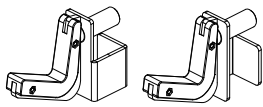


(m) L-pin
5x

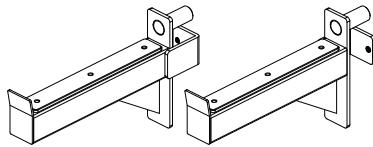
PARTS LIST

• ACCESSORIES

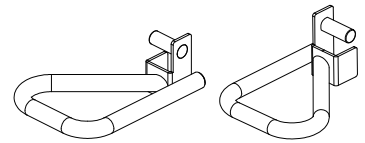
NO.	DESCRIPTION	QUANTITY
A	J-Hooks Set	1
B	Safety Arms Set	1
C	Dip Handles Set	1
D	Landmine Bar	1
E	Plate Holder	6
F	Low Row Foot Tube	1
G	Quick Release Landmine	1
H	Quick Release Band Peg	4
I	Lat Bar	1
J	Low Row Bar	1



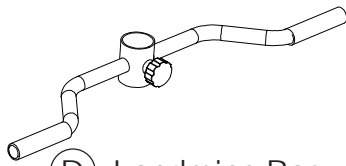
(A) J-Hooks Set
1x



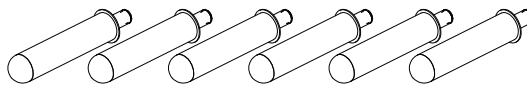
(B) Safety Arms Set
1x



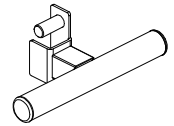
(C) Dip Handles Set
1x



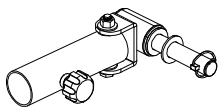
(D) Landmine Bar
1x



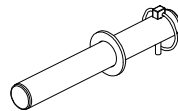
(E) Plate Holder
6x



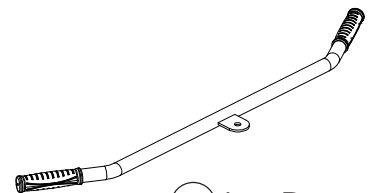
(F) Low Row Foot Tube
1x



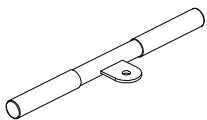
(G) Quick Release Landmine
1x



(H) Quick Release Band Peg
4x



(I) Lat Bar
1x

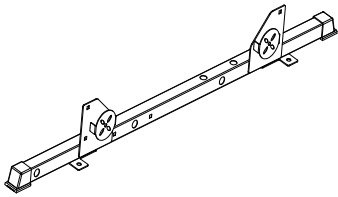


(J) Low Row Bar
1x

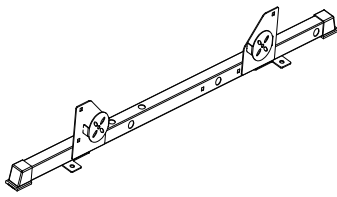
PARTS LIST

• MAIN FRAME

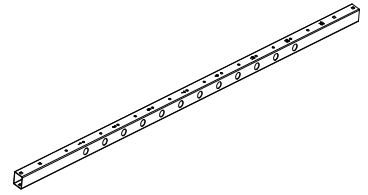
NO.	DESCRIPTION	QUANTITY
1	Bottom Base Frame (L)	1
2	Bottom Base Frame (R)	1
3	Upright Frame (Front)	2
4	Upright Frame (Back)	2
5	Upper Cross Frame (Left)	1
6	Upper Cross Frame (Right)	1
7	Rear Cross Beam	1
8	RitFit Nameplate	1
9	Pull-up Bar	1
10	Slider (Left)	1
11	Slider (Right)	1
12	Bottom Cross Beam	1
13	Knob	2



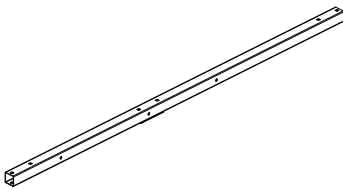
① Bottom Base Frame (L)
1x



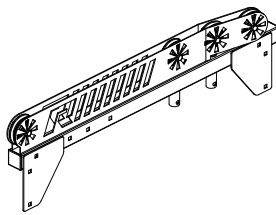
② Bottom Base Frame (R)
1x



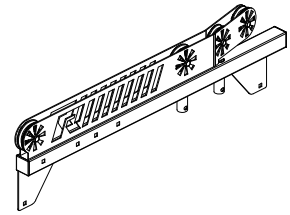
③ Upright Frame (Front)
2x



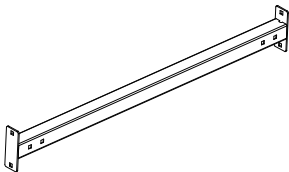
④ Upright Frame (Back)
2x



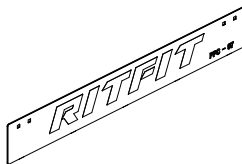
⑤ Upper Cross Frame (Left)
1x



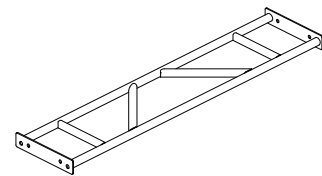
⑥ Upper Cross Frame (Right)
1x



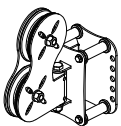
⑦ Rear Cross Beam
1x



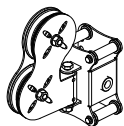
⑧ RitFit Nameplate
1x



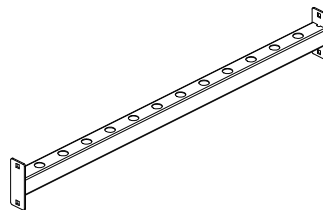
⑨ Pull-up Bar
1x



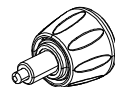
⑩ Slider (Left)
1x



⑪ Slider (Right)
1x



⑫ Bottom Cross Beam
1x

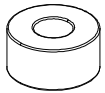


⑬ Knob
2x

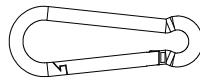
PARTS LIST

• PULLEY SYSTEM

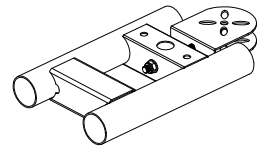
NO.	DESCRIPTION	QUANTITY
14	Rubber Pad	4
15	Carabiner	2
16	Plate Carriage-1	2
17	Plate Carriage-2	4
18	Pulley Handle	2
19	Guide Rod	4
20	Cable	2



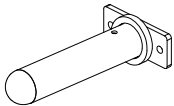
⑭ Rubber Pad
4x



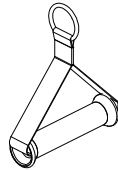
⑮ Carabiner
2x



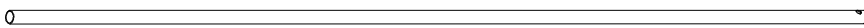
⑯ Plate Carriage-1
2x



⑰ Plate Carriage-2
4x



⑱ Pulley Handle
2x



⑲ Guide Rod
4x

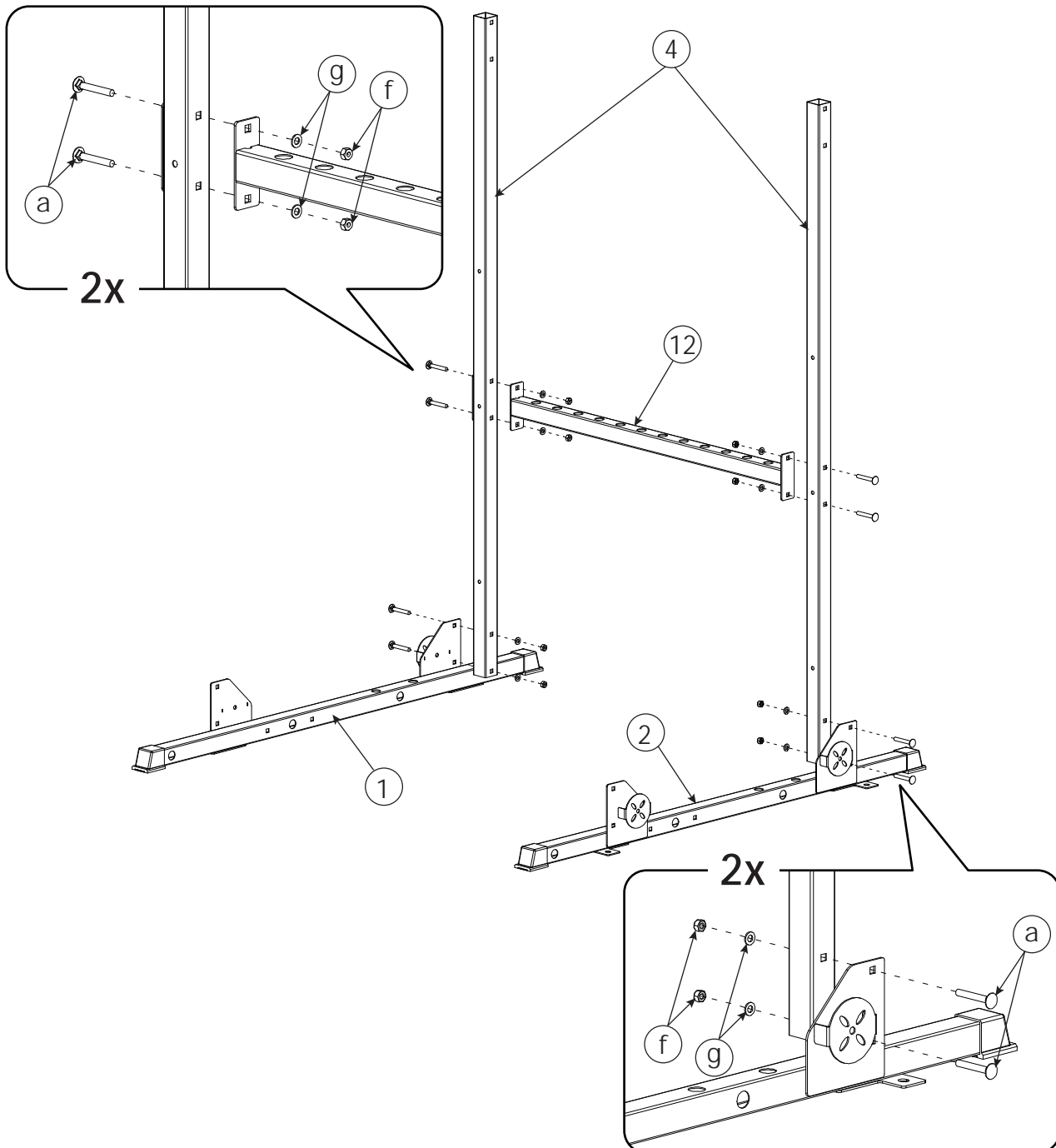


⑳ Cable
2x

ASSEMBLY AND ADJUSTMENT

STEP 1 (Two People Are Required.)

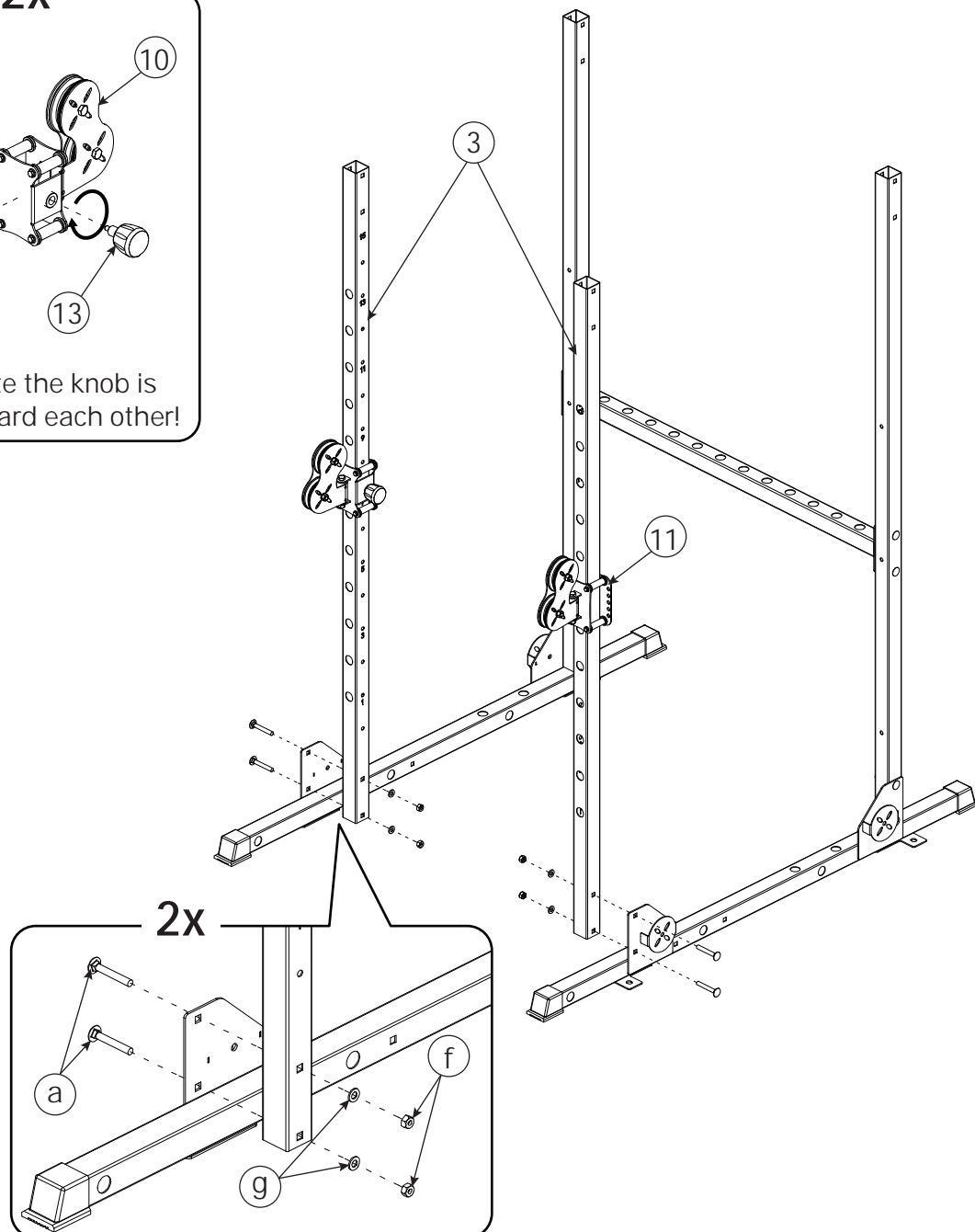
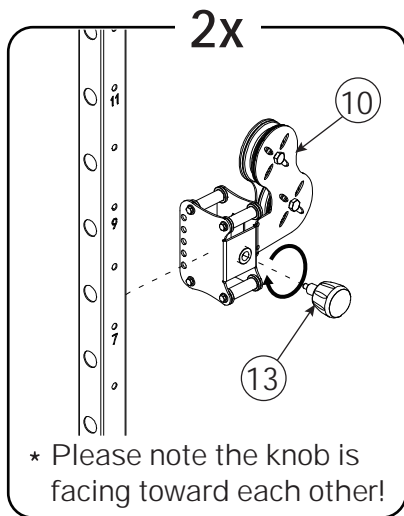
NO.	DESCRIPTION	QUANTITY
a	M10x70 Square Neck Bolt	8
f	M10 Nut	8
g	M10 Washer	8
1	Bottom Base Frame (L)	1
2	Bottom Base Frame (R)	1
4	Upright Frame (Back)	2
12	Bottom Cross Beam	1



ASSEMBLY AND ADJUSTMENT

STEP 2 (Two People Are Required.)

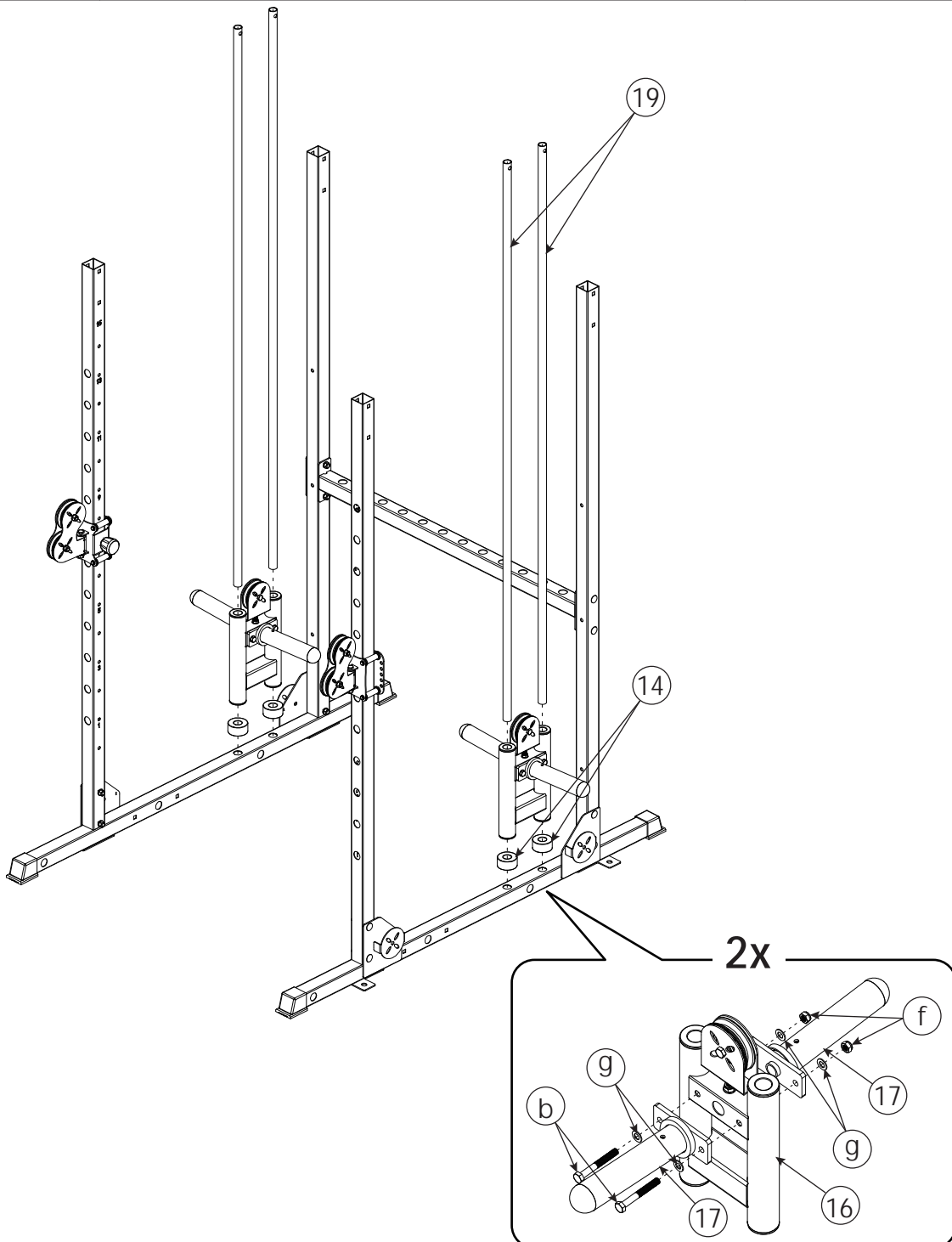
NO.	DESCRIPTION	QUANTITY
a	M10x70 Square Neck Bolt	4
f	M10 Nut	4
g	M10 Washer	4
3	Upright Frame (Front)	2
10	Slider (Left)	1
11	Slider (Right)	1
13	Knob	2



ASSEMBLY AND ADJUSTMENT

STEP 3 (Two People Are Required.)

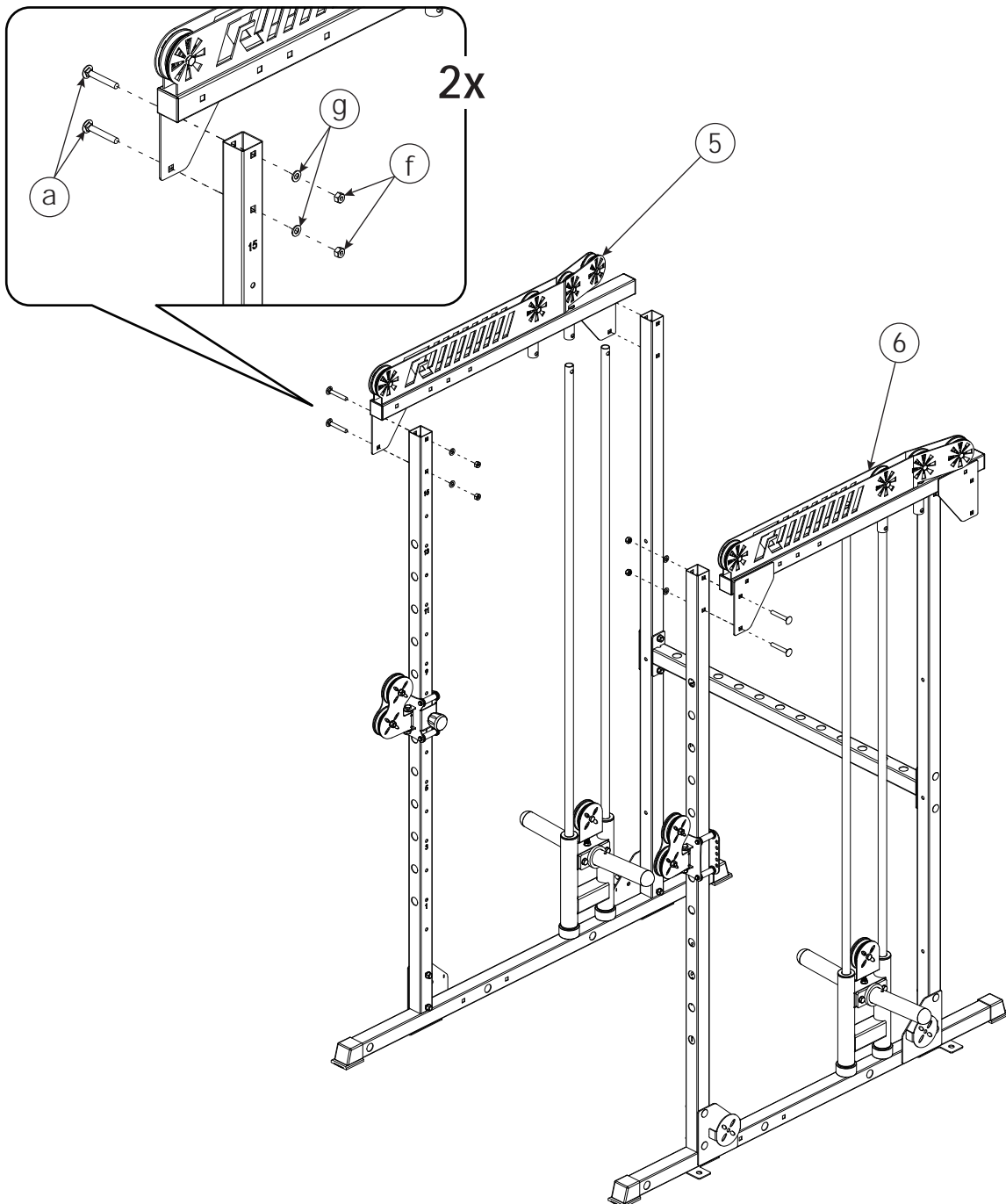
NO.	DESCRIPTION	QUANTITY
b	M10x80 Hex Bolt	4
f	M10 Nut	4
g	M10 Washer	8
14	Rubber Pad	4
16	Plate Carriage-1	2
17	Plate Carriage-2	4
19	Guide Rod	4



ASSEMBLY AND ADJUSTMENT

STEP 4 (Two People Are Required.)

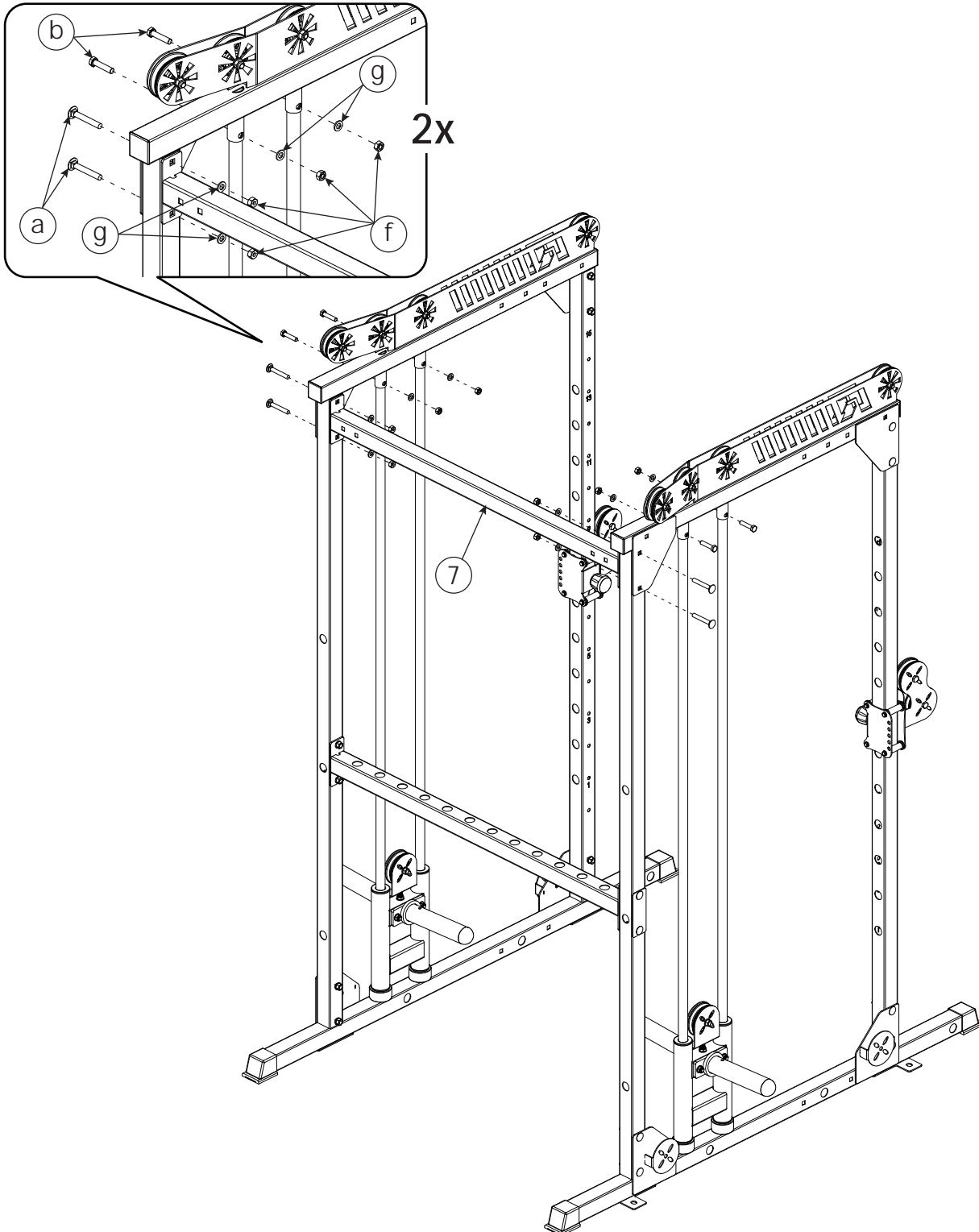
NO.	DESCRIPTION	QUANTITY
a	M10x70 Square Neck Bolt	4
f	M10 Nut	4
g	M10 Washer	4
5	Upper Cross Frame (Left)	1
6	Upper Cross Frame (Right)	1



ASSEMBLY AND ADJUSTMENT

STEP 5 (Two People Are Required.)

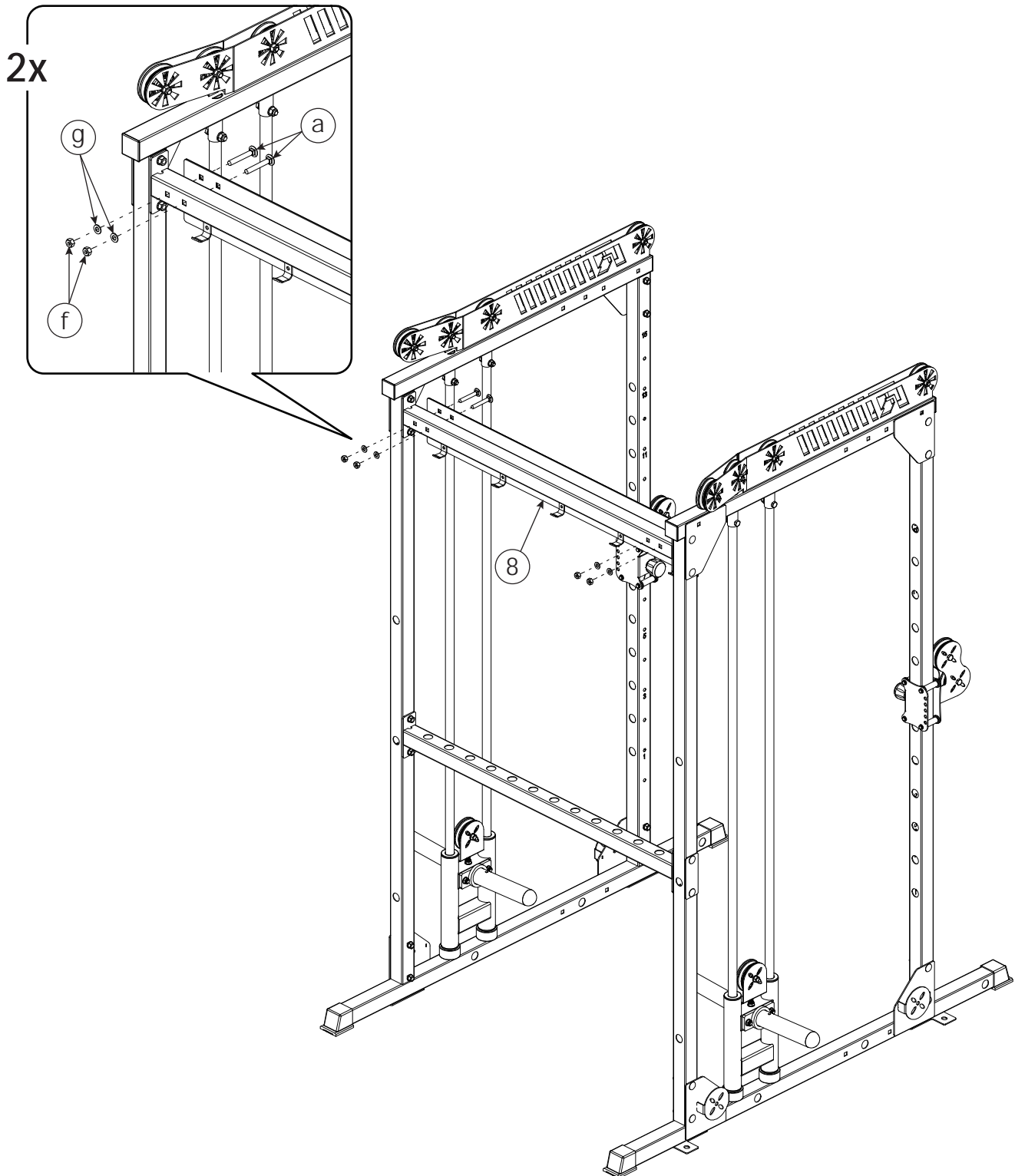
NO.	DESCRIPTION	QUANTITY
a	M10x70 Square Neck Bolt	4
b	M10x45 Hex Bolt	4
f	M10 Nut	8
g	M10 Washer	8
7	Rear Cross Beam	1



ASSEMBLY AND ADJUSTMENT

STEP 6 (Two People Are Required.)

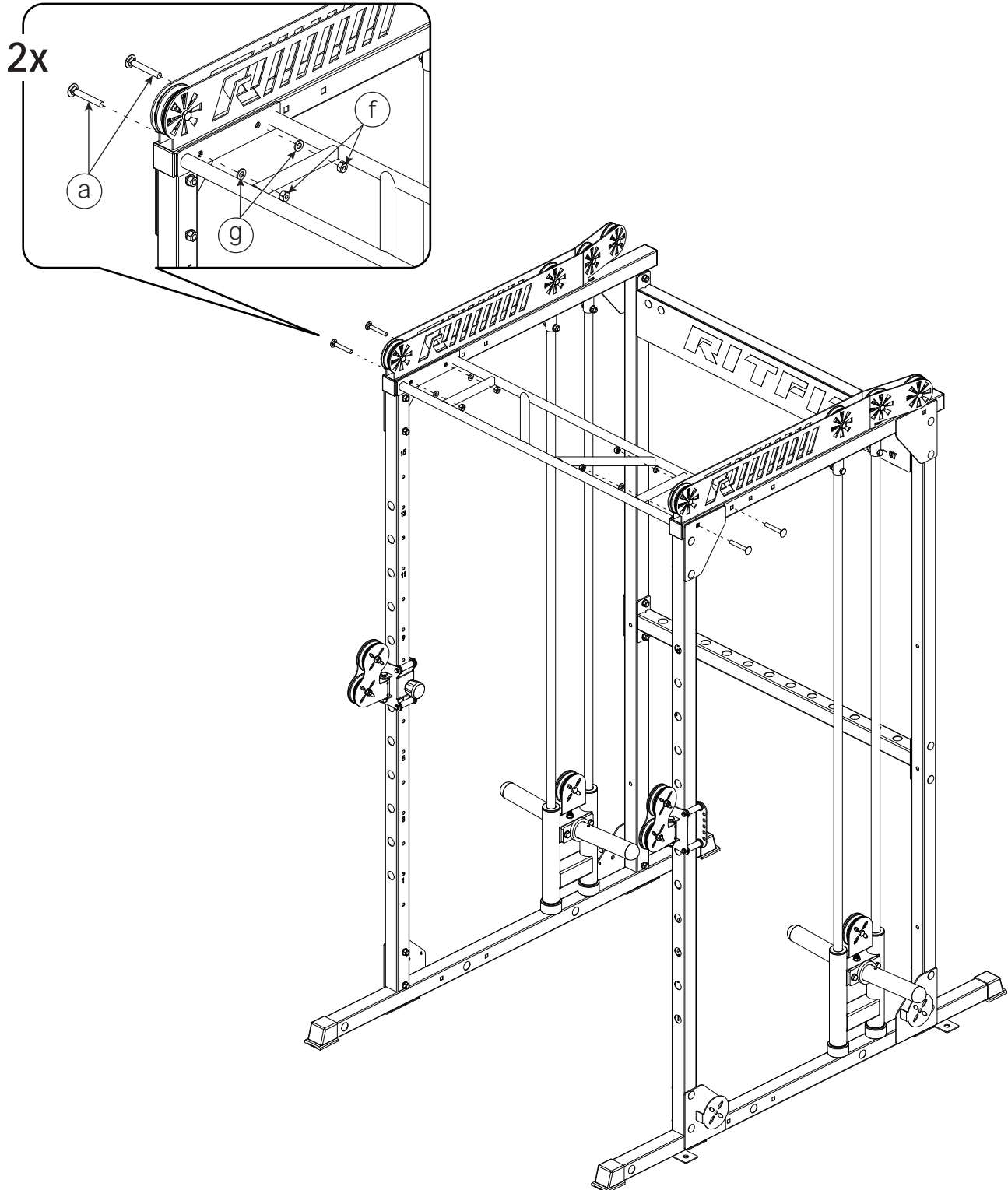
NO.	DESCRIPTION	QUANTITY
a	M10x70 Square Neck Bolt	4
f	M10 Nut	4
g	M10 Washer	4
8	RitFit Nameplate	1



ASSEMBLY AND ADJUSTMENT

STEP 7 (Two People Are Required.)

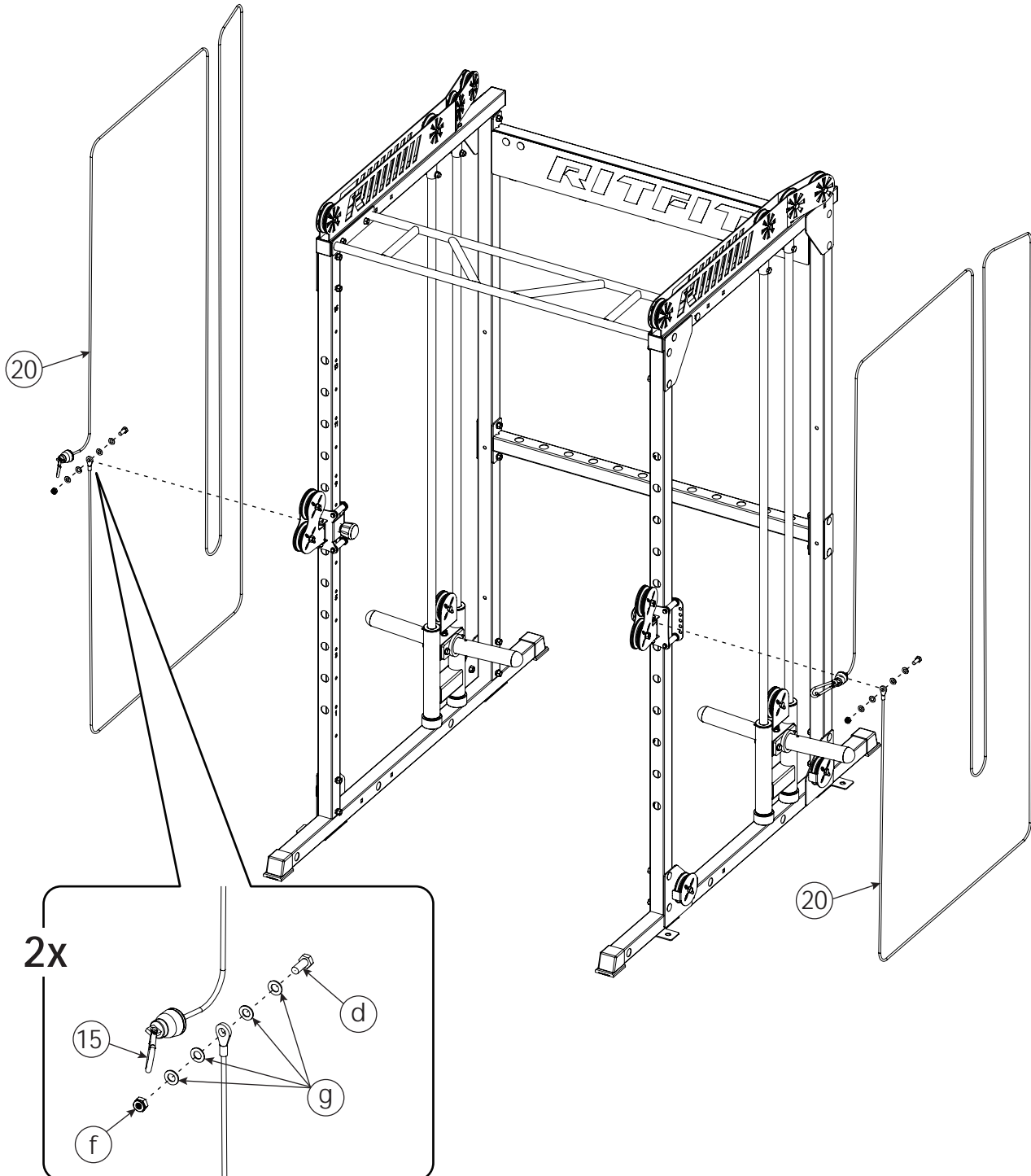
NO.	DESCRIPTION	QUANTITY
a	M10x70 Square Neck Bolt	4
f	M10 Nut	4
g	M10 Washer	4
9	Pull-up Bar	1



ASSEMBLY AND ADJUSTMENT

STEP 8 (Two People Are Required.)

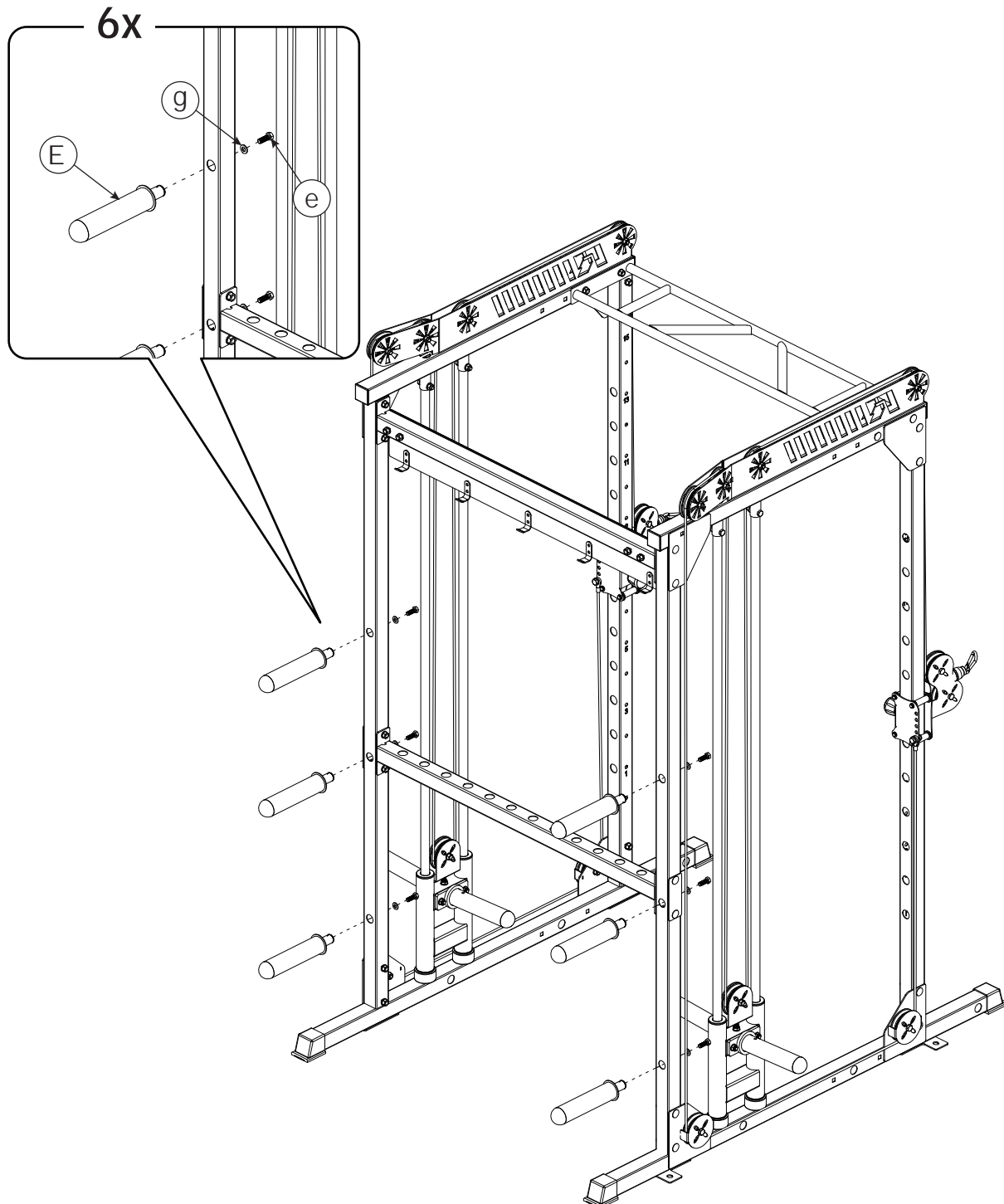
NO.	DESCRIPTION	QUANTITY
d	M10x25 Hex Bolt	2
f	M10 Nut	2
g	M10 Washer	8
15	Carabiner	2
20	Cable	2



ASSEMBLY AND ADJUSTMENT

STEP 9 (Two People Are Required.)

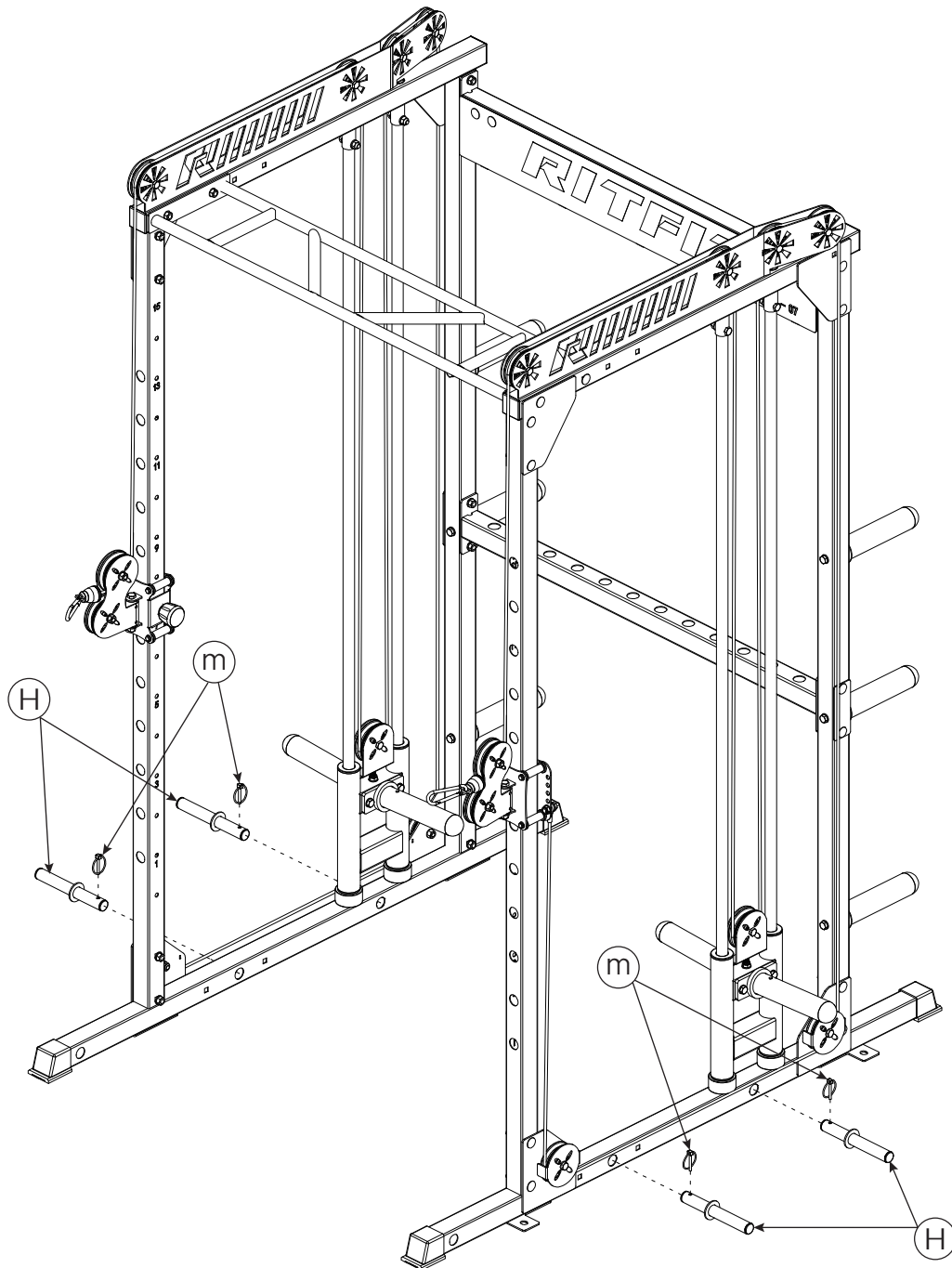
NO.	DESCRIPTION	QUANTITY
e	M10x20 Hex Bolt	6
g	M10 Washer	6
E	Plate Holder	6



ASSEMBLY AND ADJUSTMENT

STEP 10 (Two People Are Required.)

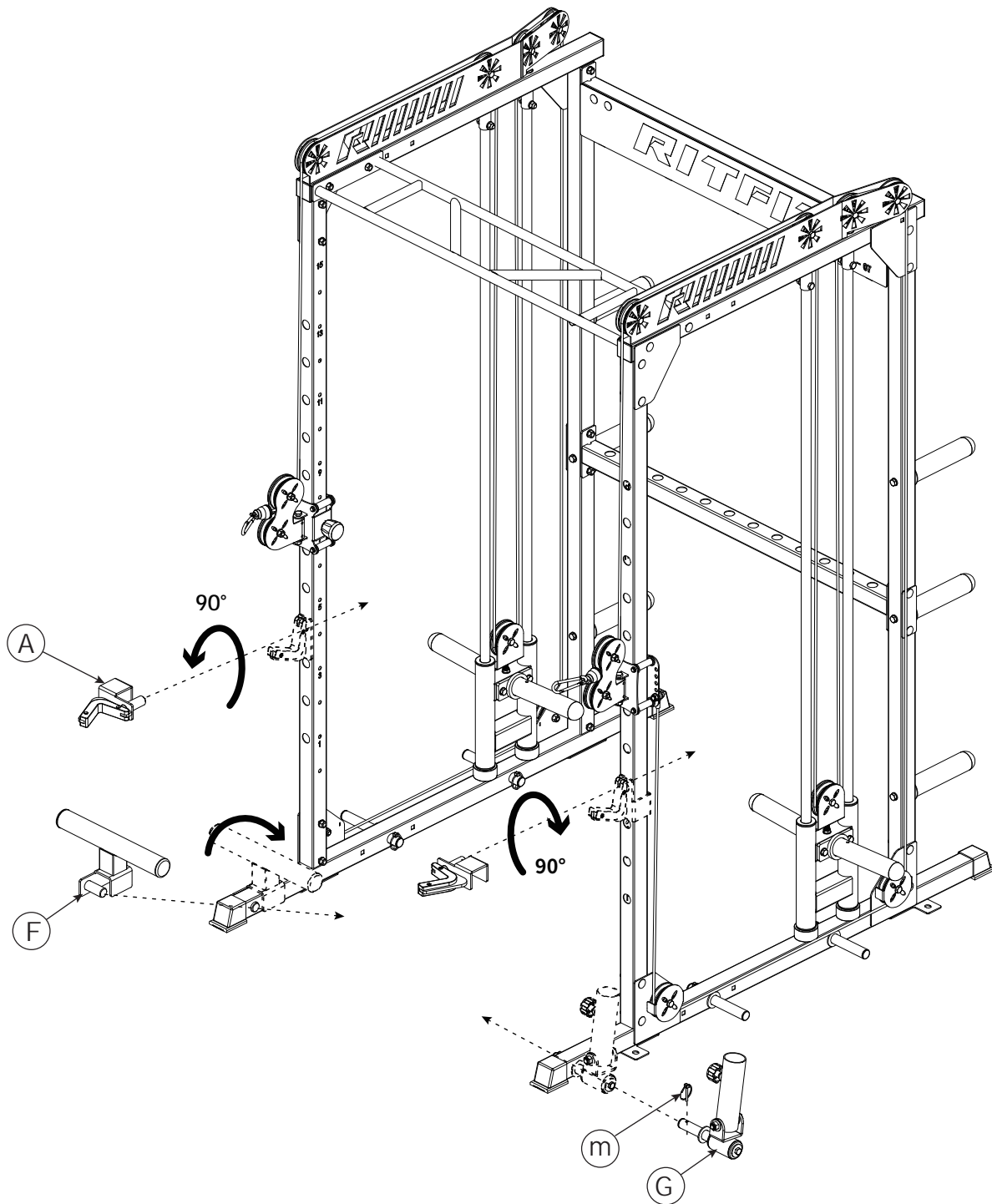
NO.	DESCRIPTION	QUANTITY
H	Quick Release Band Peg	4
m	L-pin	4



ASSEMBLY AND ADJUSTMENT

STEP 11 (Two People Are Required.)

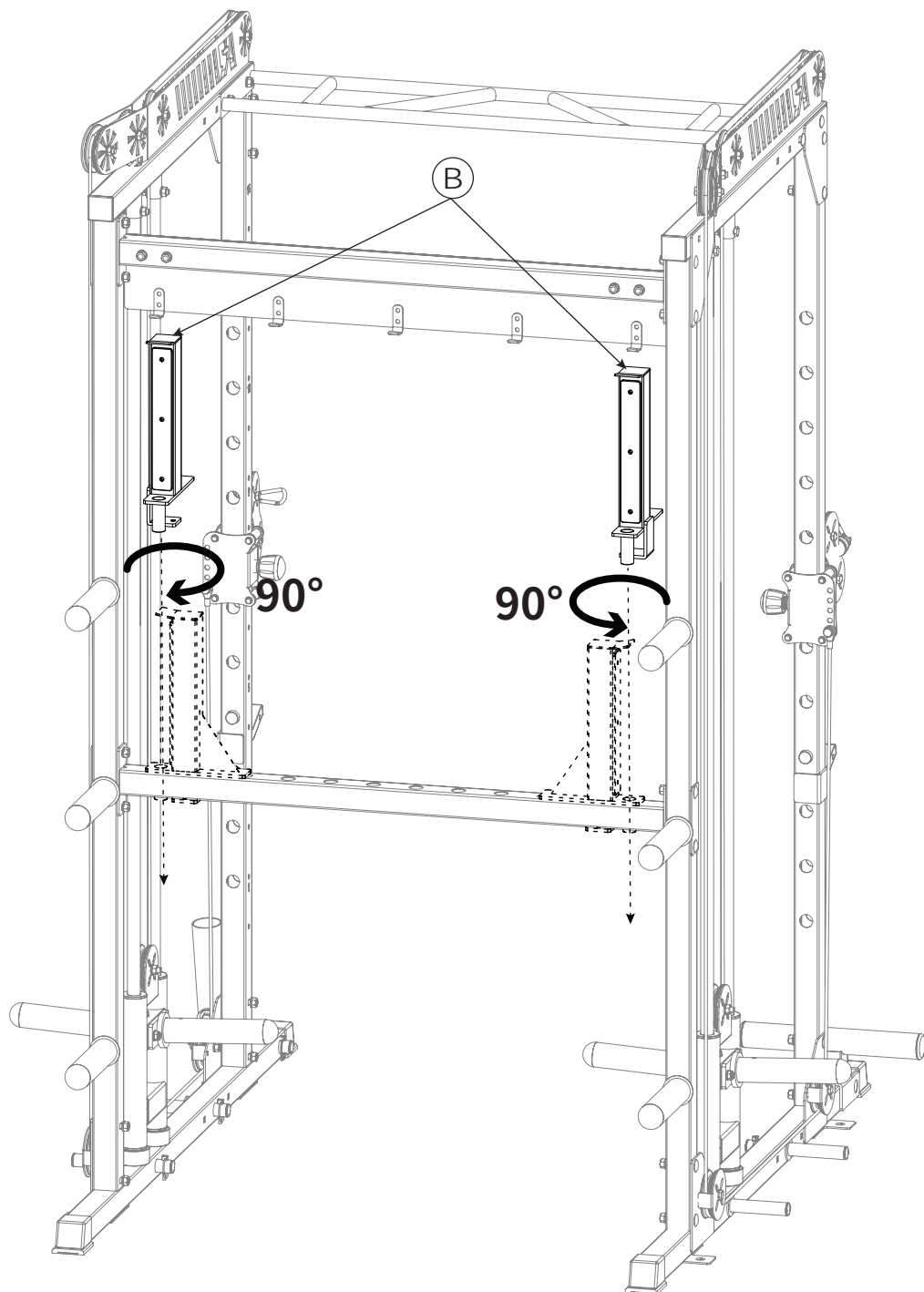
NO.	DESCRIPTION	QUANTITY
A	J-Hooks Set	1
F	Low Row Foot Tube	1
G	Quick Release Landmine	1
m	L-pin	1



ASSEMBLY AND ADJUSTMENT

STEP 12 (Two People Are Required.)

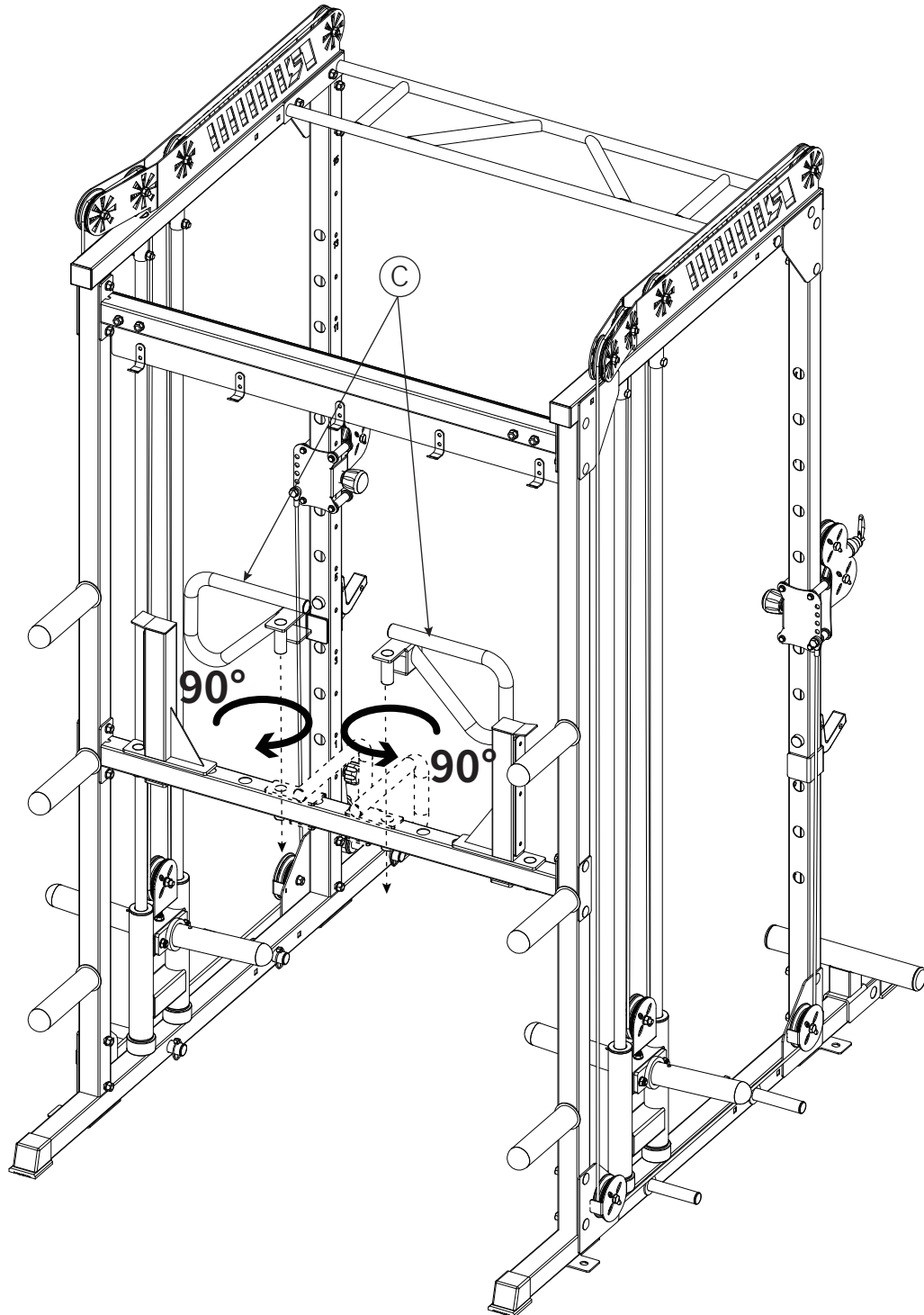
NO.	DESCRIPTION	QUANTITY
B	Safety Arms Set	1



ASSEMBLY AND ADJUSTMENT

STEP 13 (Two People Are Required.)

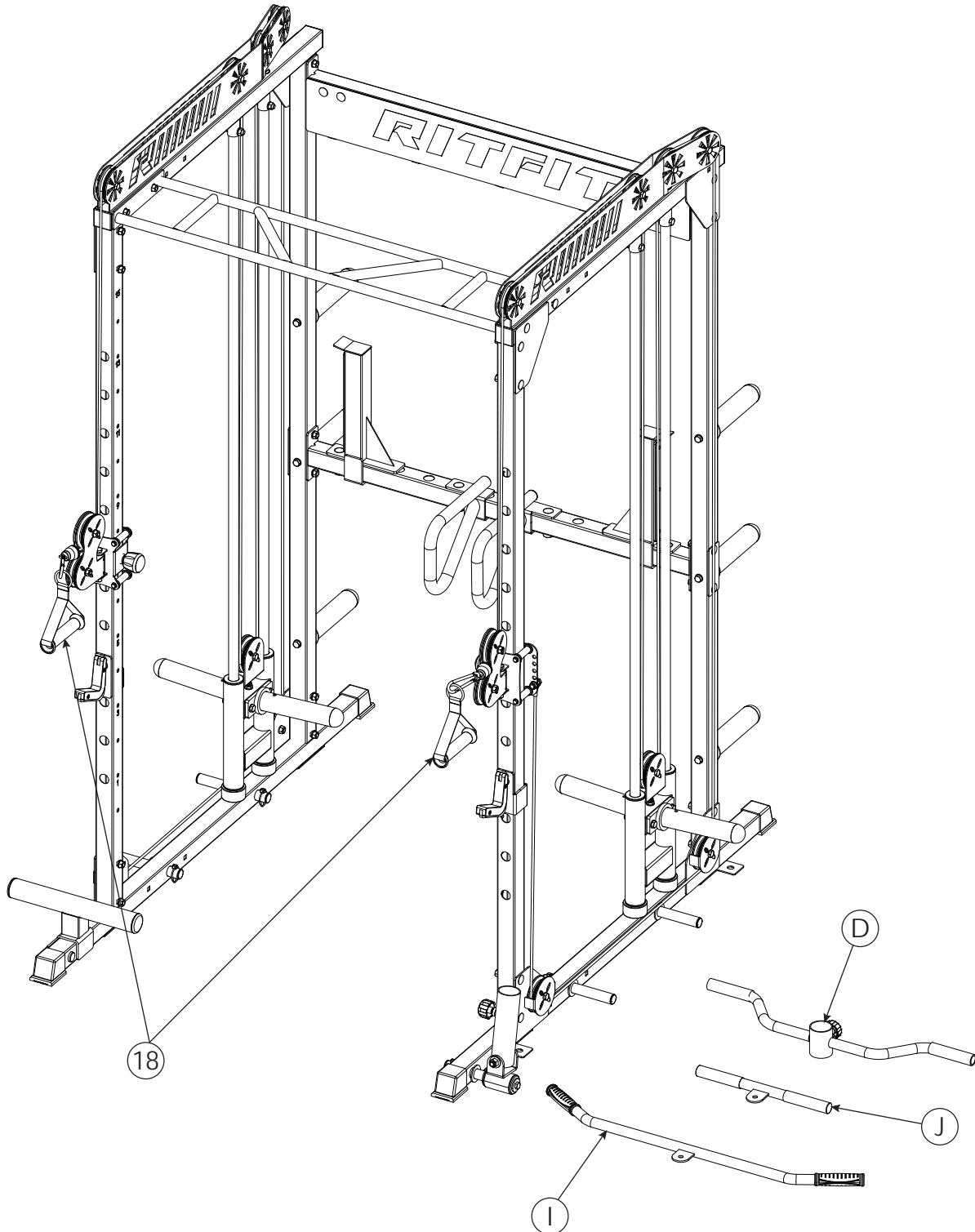
NO.	DESCRIPTION	QUANTITY
C	Dip Handles Set	1



ASSEMBLY AND ADJUSTMENT

STEP 14 (Two People Are Required.)

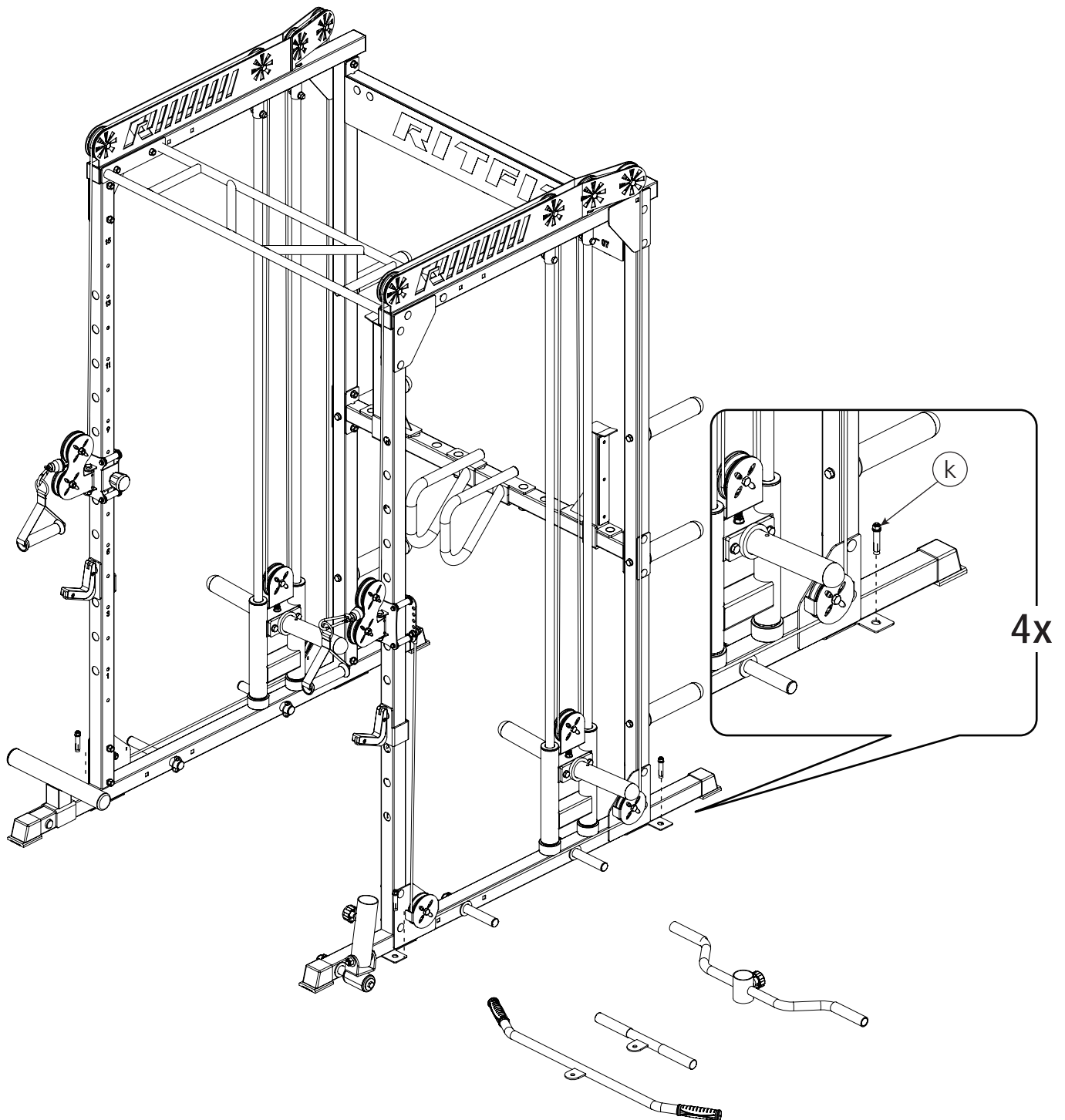
NO.	DESCRIPTION	QUANTITY
D	Landmine Bar	1
I	Lat Bar	1
J	Low Row Bar	1
18	Pulley Handle	2



ASSEMBLY AND ADJUSTMENT

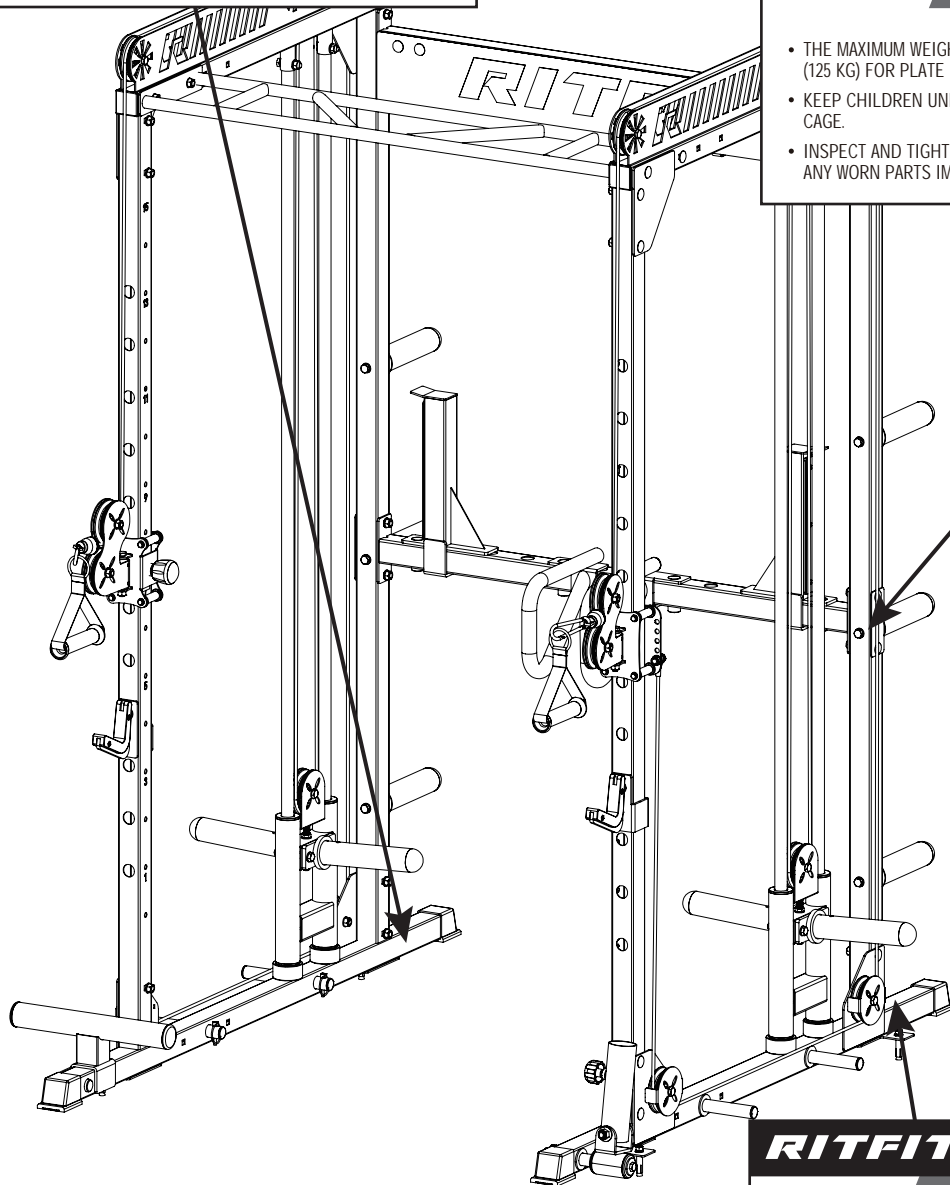
STEP 15 (Two People Are Required.)

NO.	DESCRIPTION	QUANTITY
k	M10 Expansion Bolt	4



RITFIT ⚠ WARNING

Keep your hands, arms, and feet away from the sharp corners and joints of the cage. Keep the children away from the cage!



RITFIT ⚠ WARNING

- THE MAXIMUM WEIGHT CAPACITY SHALL NOT EXCEED 275 LBS (125 KG) FOR PLATE LOADING.
- KEEP CHILDREN UNDER 13 AND PETS AWAY FROM THIS POWER CAGE.
- INSPECT AND TIGHTEN ALL PARTS EACH TIME AND REPLACE ANY WORN PARTS IMMEDIATELY.

RITFIT ⚠ WARNING

- Misuse of this machine may result in serious injury.
- Read the user's manual prior to use and follow all warnings and instructions.
- Do not allow children under the age of 13 on or around the machine.
- The maximum user weight should be less than 400 lbs.
- For consumer use only not for commercial use.
- If you have any questions, please e-mail our customer service team at support@ritfitsports.com

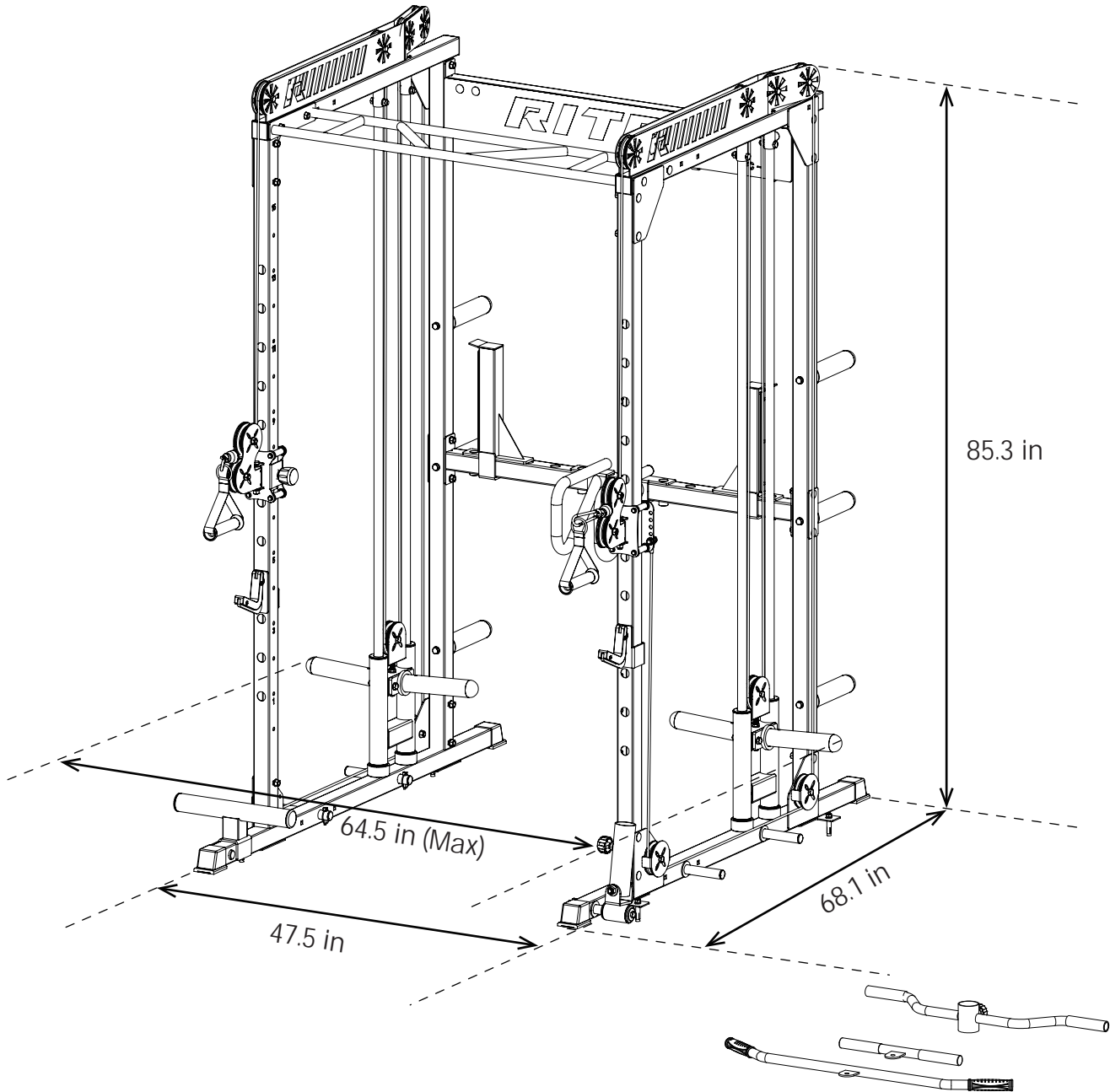
Dear RitFit Customers, Thank you so much for choosing RitFit Power Cage with Cable Crossover! Before starting assembling this power cage, please notice that there are THREE important warnings to kindly remind you of the user safeties and product safeties. You NEED to read those warning labels carefully, because failure to follow those warnings may lead to serious injury!

END

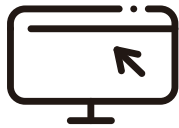
Congratulations!

You have assembled the Power Cage with Cable Crossover!

Now, you can officially start strength training!



RITFIT



www.ritfitsports.com

SUBSCRIBE WEBSITE AND GET

- ✔ Free Exercise Ebook
- ✔ Lastest Updates



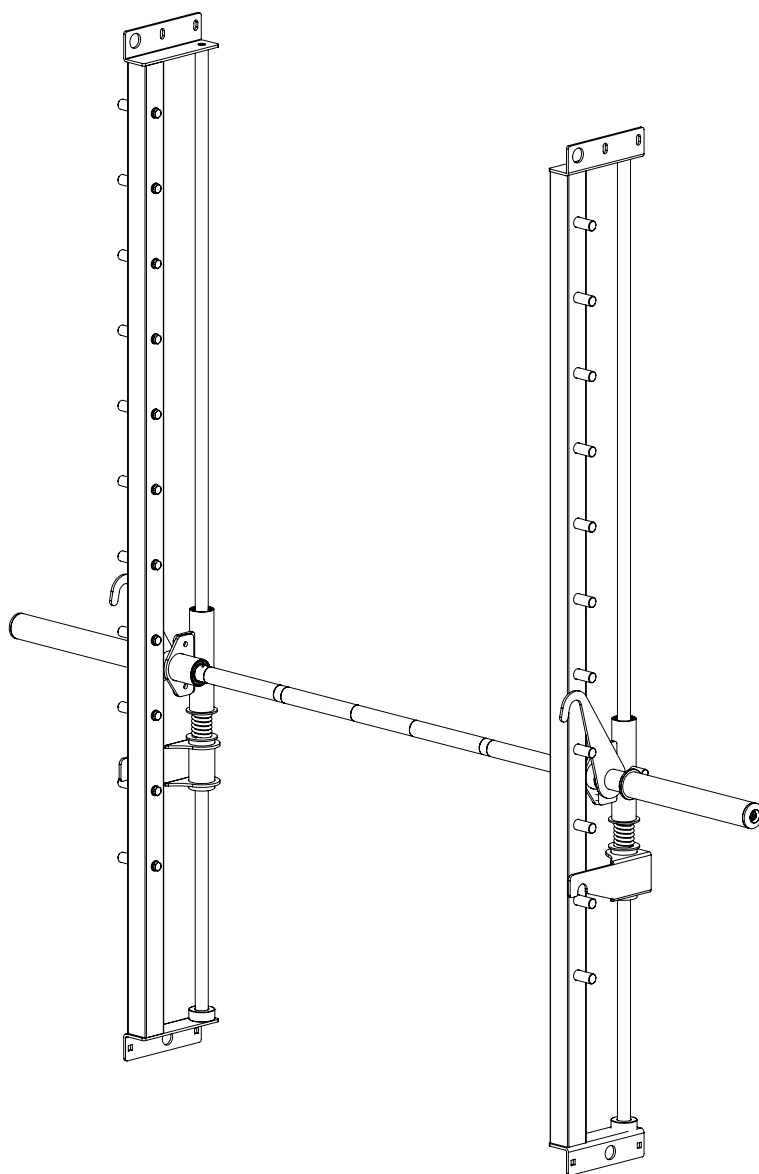
GOT A PROBLEM? GET IN TOUCH
support@ritfitsports.com

GET SOCIAL WITH US

 [@ritfit.sports](https://www.instagram.com/ritfit.sports)

RITFIT

SMITH ATTACHMENT AT01



OWNER'S MANUAL & ASSEMBLY INSTRUCTIONS

SAFETY & PRECAUTIONS

IMPORTANT: READ ALL PRECAUTIONS CAREFULLY BEFORE USING THIS PRODUCT. RETAIN OWNER'S MANUAL FOR FUTURE REFERENCE.

- In the event should you find this product has either a defective or a missing part, do not use substitute parts or try to use the unit in an incomplete form. Please contact RITFIT for a replacement.
- Additional features on products may be added during seasonal production but may not be featured in line art diagrams at time of production. Changes of such will not affect the performance or assembly of the unit. If you would like further clarification during your assembly process please feel free to contact RITFIT for direction.
- This product has been designed for light commercial or home use only. Light commercial can be defined as a location with multiple users but not in a membership setting. Examples would be hotels, fire departments, high schools, etc. Commercial use would include, but not limited to, locations that accept membership for use of equipment.
- This exercise equipment was designed and built for optimum safety. However certain operator precautions apply whenever you operate a piece of exercise equipment. Please note the following safety procedures:
 1. Keep children and pets away from this equipment.
 2. Always inspect equipment prior to assuring the structural integrity. Some parts may need occasional maintenance due to wear and tear.
 3. Lubricate moving parts as needed (depends on use but once a month is a good rule to follow).
 4. One person at a time should use this equipment unless otherwise designed for safety (example: spotter stand on some weight benches).
 5. If dizziness, nausea, chest pains, or any other abnormal symptoms are experienced while using this equipment, stop the workout at once. **CONSULT A PHYSICIAN IMMEDIATELY.**
 6. Always use this equipment on a level surface. Do not use outdoors or near water.
 7. Keep hands and feet away from any moving parts that are not intended to have body parts near them while in use.
 8. Do not insert any object into any openings unless object is supposed to be inserted into a particular place (such as a pin in a weight stack).
 9. Before using this equipment, always do stretching exercise to warm up.
 10. Use this equipment only for its intended use as described in manual.
 11. Always wear appropriate workout clothing and shoes when exercising. **DO NOT WEAR ROBES OR OTHER CLOTHING THAT COULD BECOME CAUGHT IN THE EQUIPMENT.**
 12. **BEFORE BEGINNING ANY EXERCISE PROGRAM, CONSULT YOUR PHYSICIAN.**
 13. If you have any question, please e-mail our customer service team at support@ritfitsports.com.

CARE AND MAINTENANCE

- Inspect and tighten all parts before using the equipment.
- The equipment can be cleaned using a damp cloth and mild non-abrasive detergent. **DO NOT** use solvents.
- Examine the equipment regularly for signs of damages or wear.
- Replace any defective components immediately and/or keep the equipment out of use until repair.
- Failure to examine regularly may affect the safety level of the equipment.

Smith Attachment Warranty

A. What's Covered Under RitFit LLC's Basic Warranty?

Basic Warranty.

B. Who Is Covered?

You are covered by the Basic Warranty if you are a purchaser of the RitFit® Smith Attachment AT01.

C. What's Covered?

The Basic Warranty covers the cost of all parts and labor needed to repair any item on your Smith Attachment that is defective in material workmanship or factory preparation after leaving the manufacturing plant. These warranty repairs or adjustments will be made by RitFit at no charge, using new or remanufactured parts.

D. When It Begins?

The Basic Warranty begins from the date of order.

E. When It Ends?

The Basic Warranty lasts for 12 months from the date it begins.

F. What's Not Covered?

Please note that while the standard Basic Warranty applies to defects in material and/or workmanship, it does not cover the Smith Attachment AT01 matte finish appearance. Maintaining the matte finish appearance is solely the responsibility of the owner. Basic Warranty doesn't cover damage caused by environmental factors such as airborne fallout, insect damage, chemicals, salt, and ocean spray. Nor does your warranty cover damage caused by hailstorms, windstorms, tornadoes, sandstorms, lightning, floods, and earthquakes. Your warranty does not cover conditions resulting from anything impacting the Smith Attachment AT01.

G. How To Contact Us?

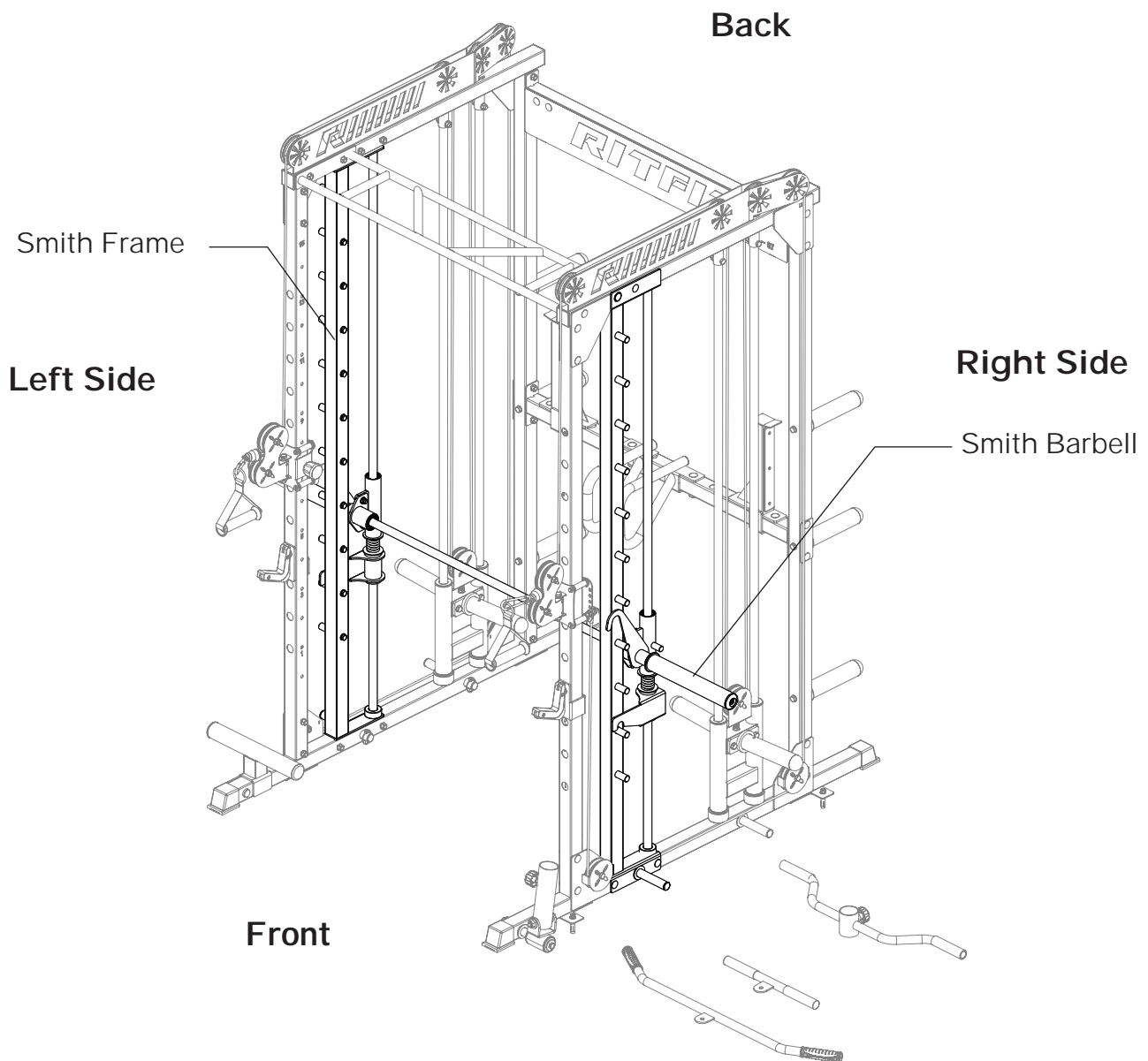
To ensure you receive the best technical support please visit www.ritfitsports.com and register your warranty. Customers with registered warranties are given a profile that allows for easier support and for us to contact you with important product notifications. If any parts are missing, worn, damaged or broken before the assembly, or you ever need to replace the parts, please contact us at support@ritfitsports.com.

BEFORE YOU BEGIN

Thank you for selecting the RitFit® Smith Attachment AT01. RitFit® Smith Attachment AT01 is designed and manufactured to be attached on the RitFit® Power Cage with Cable Crossover to optimize its workout efficiency.

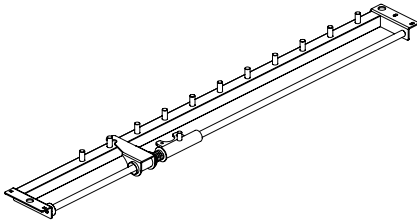
For your benefit, read this manual carefully before using the Power Cage with Cable Crossover. If you have additional questions, please contact RitFit Customer Service Department at support@ritfitsports.com. To help us assist you, please note the product model number and serial number before calling. The model number is AT01.

BEFORE READING FURTHER, PLEASE REVIEW THE DRAWING BELOW AND FAMILIARIZE YOURSELF WITH THE PARTS THAT ARE LABELED.

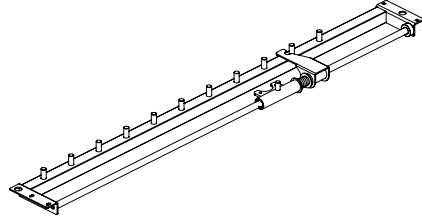


PARTS LIST

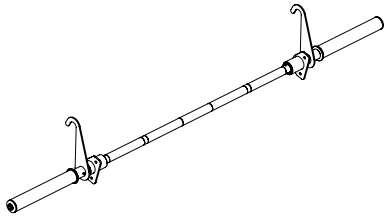
NO.	DESCRIPTION	QUANTITY
1	Left Smith Frame	1
2	Right Smith Frame	1
3	Smith Barbell	1
4	M10x70 Square Bolt	8
5	M10x28 Hex Bolt	4
6	M10 Nut	12
7	M10 Washer	16



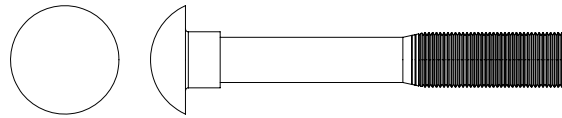
① Left Smith Frame
1x



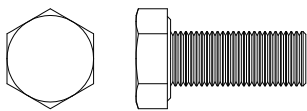
② Right Smith Frame
1x



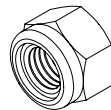
③ Smith Barbell
1x



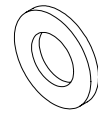
④ M10x70 Square Bolt
8x



⑤ M10x28 Hex Bolt
4x



⑥ M10 Nut
12x

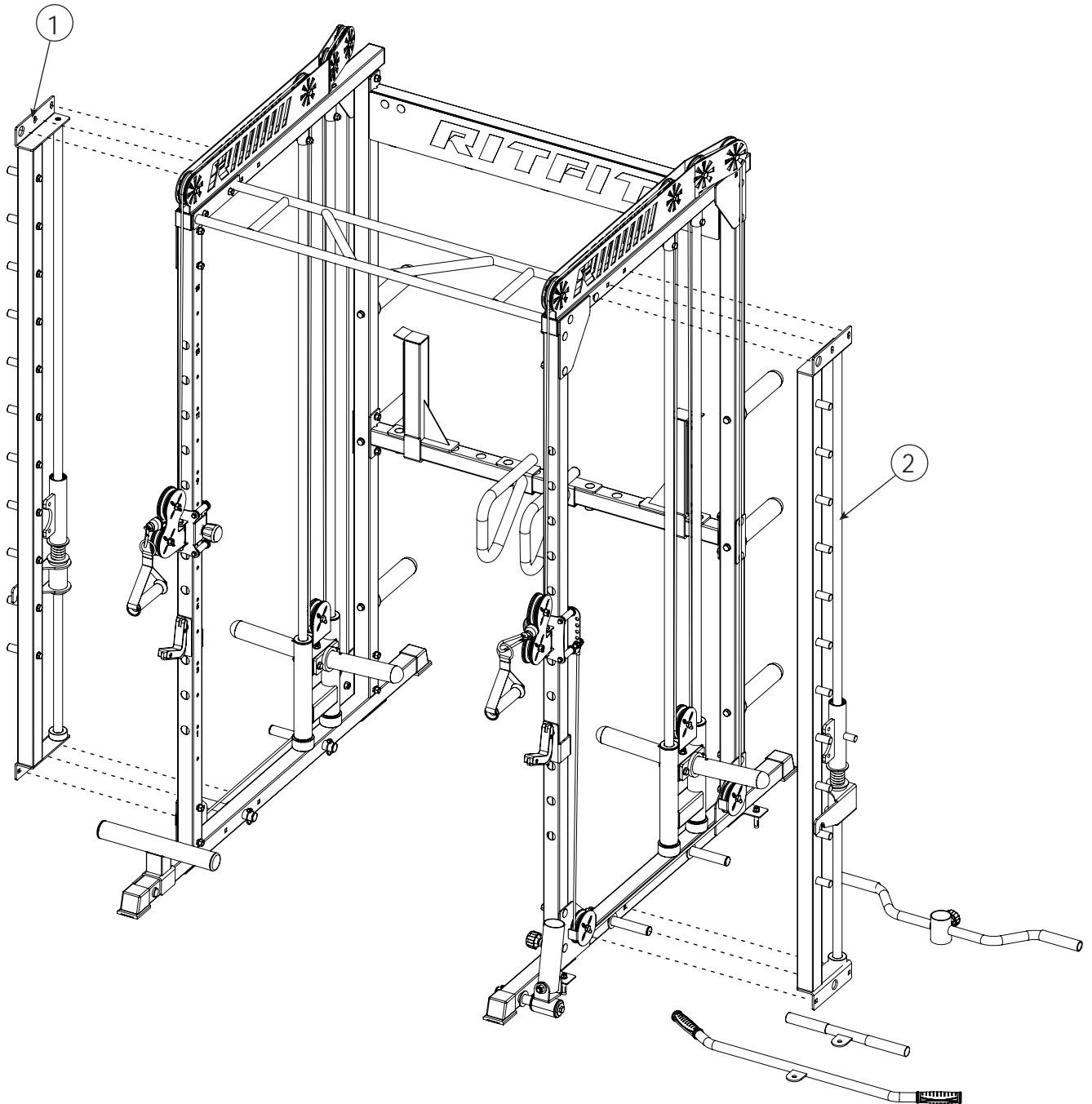


⑦ M10 Washer
16x

ASSEMBLY AND ADJUSTMENT

STEP 1

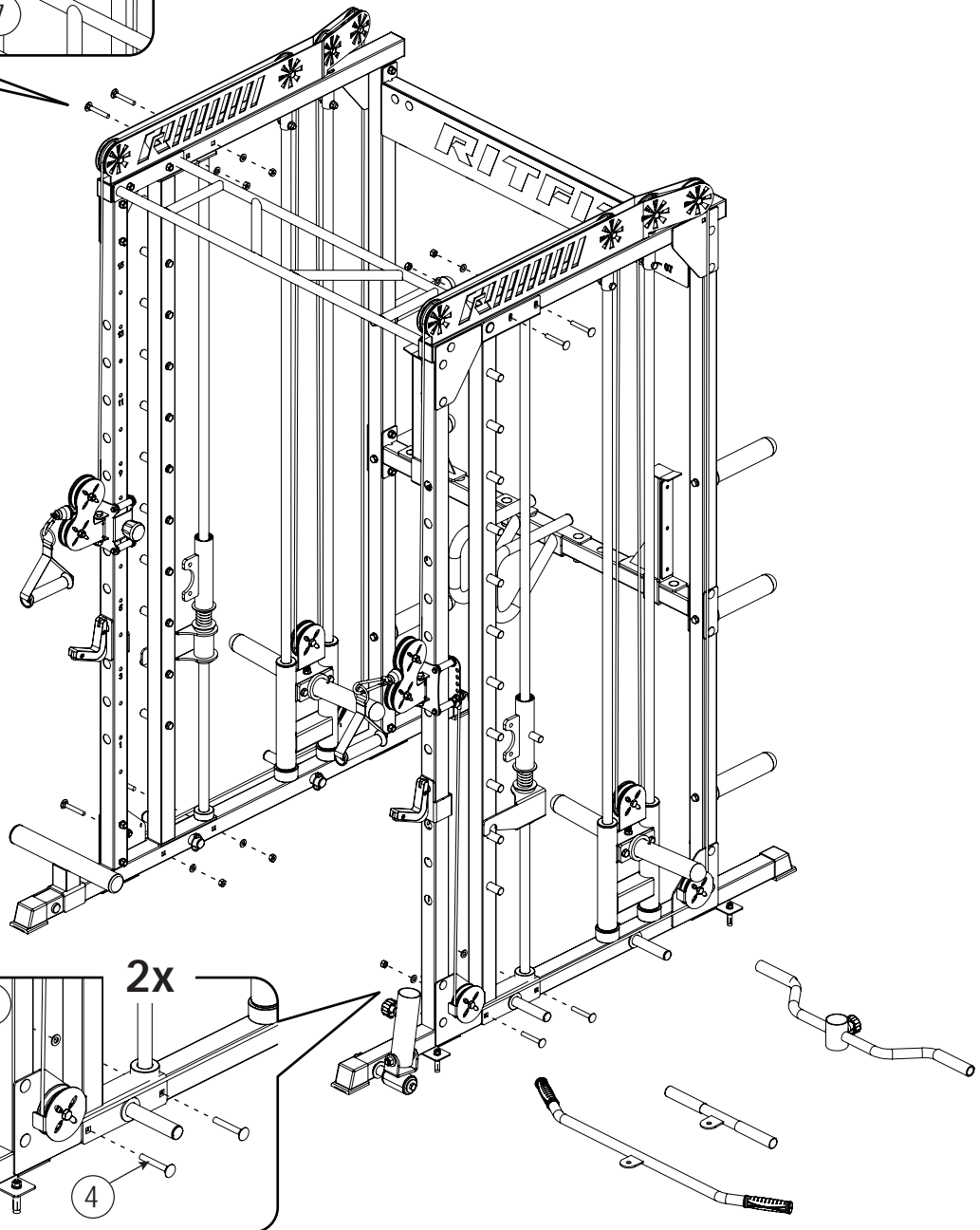
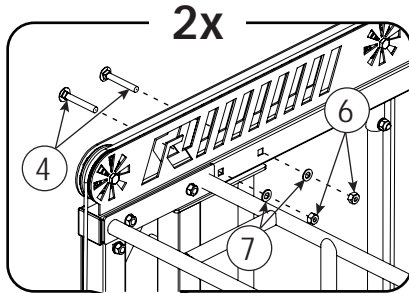
NO.	DESCRIPTION	QUANTITY
1	Left Smith Frame	1
2	Right Smith Frame	1



ASSEMBLY AND ADJUSTMENT

STEP 2

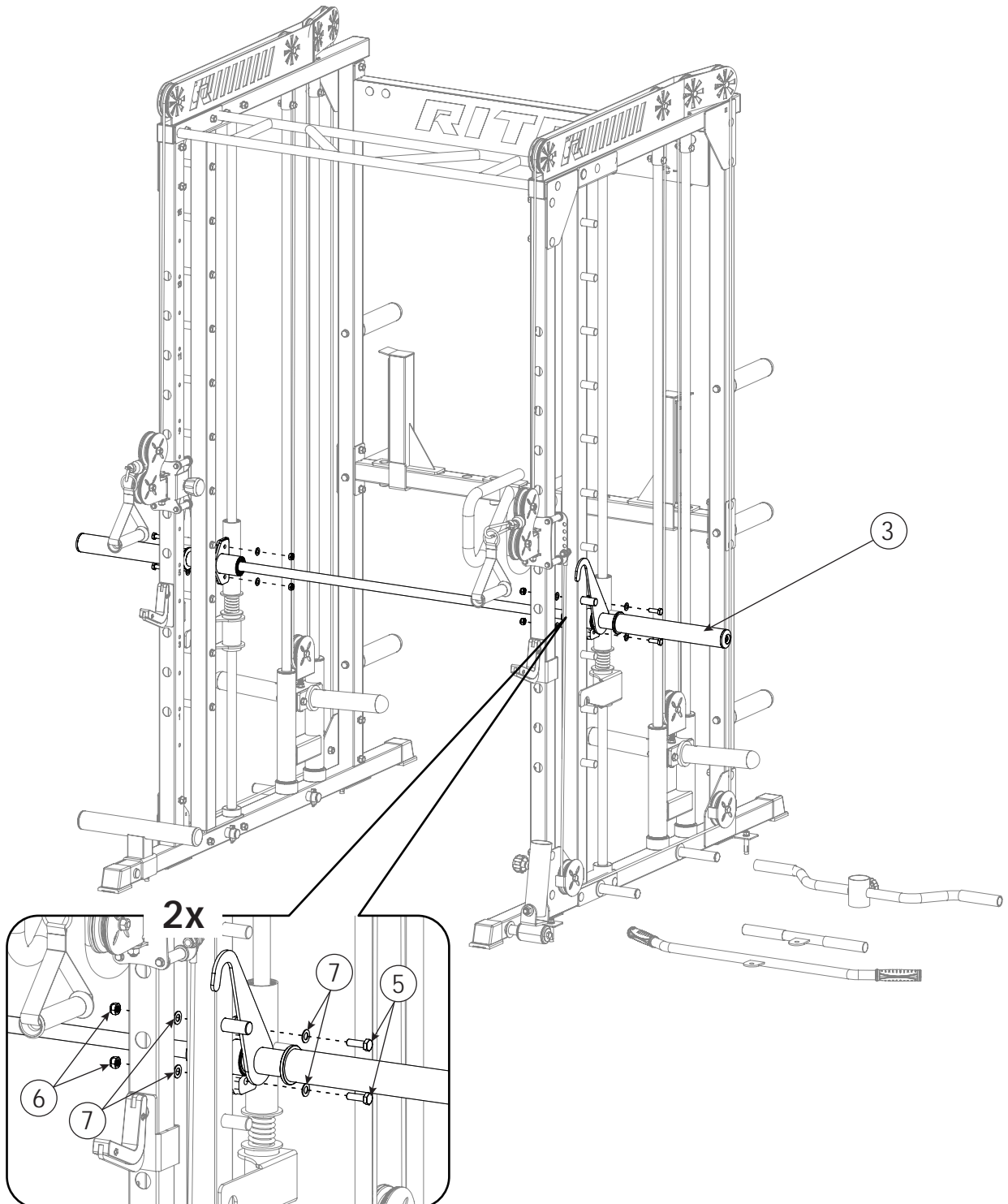
NO.	DESCRIPTION	QUANTITY
4	M10x70 Square Bolt	8
6	M10 Nut	8
7	M10 Washer	8

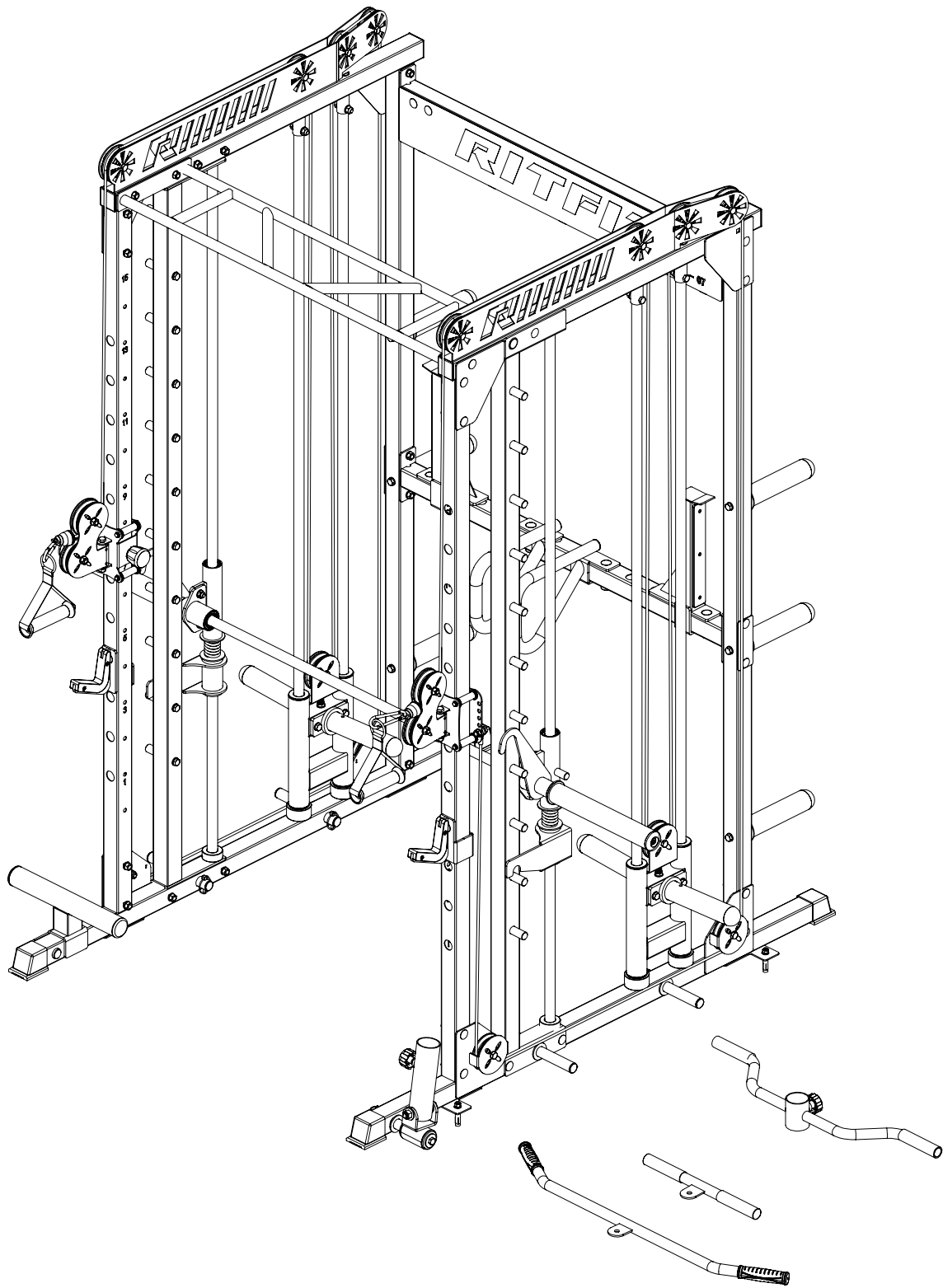


ASSEMBLY AND ADJUSTMENT

STEP 3

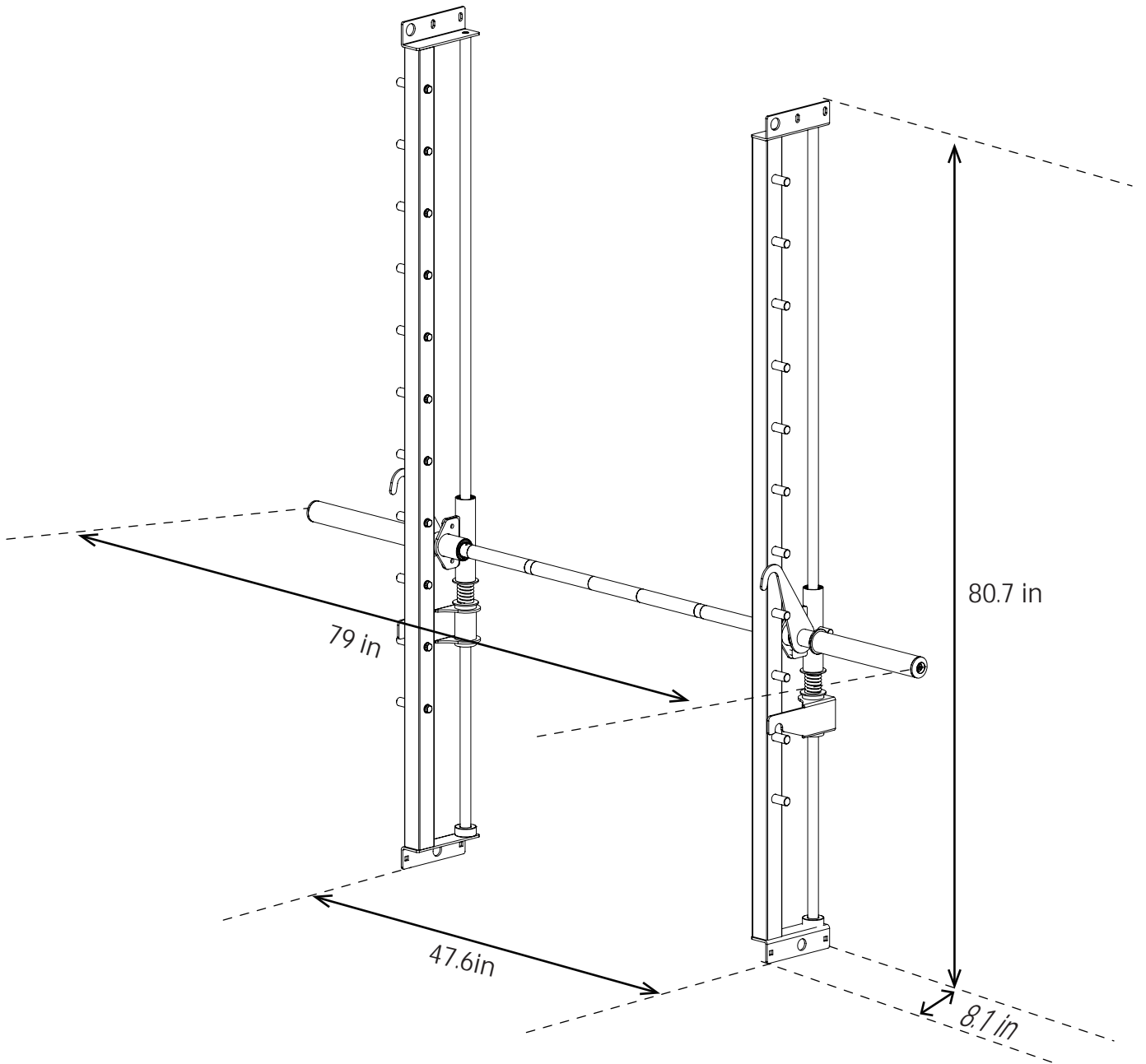
NO.	DESCRIPTION	QUANTITY
3	Smith Barbell	1
5	M10x28 Hex Bolt	4
6	M10 Nut	4
7	M10 Washer	8



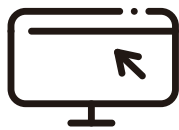


Congratulations!

You have assembled the Smith Attachment!
Now, you can officially start strength training!



RITFIT



www.ritfitsports.com

SUBSCRIBE WEBSITE AND GET

- ✔ Free Exercise Ebook
- ✔ Lastest Updates



GOT A PROBLEM? GET IN TOUCH
support@ritfitsports.com

GET SOCIAL WITH US

