

Docking Drawer™

Cut Out Templates

Choose Your Outlet

Style Drawer Blade

page 1

- 0290-00324
- 0290-00324-I
- 0290-00324-U
- 0290-00324-UI
- 0290-00321
- 0290-00321-I
- 0290-00321-U
- 0290-00321-UI

Style Drawer Blade Duo

page 2

- 0290-20324
- 0290-20324-I
- 0290-20324-U
- 0290-20324-UI
- 0290-20321
- 0290-20321-I
- 0290-20321-U
- 0290-20321-UI

Style Drawer Flush

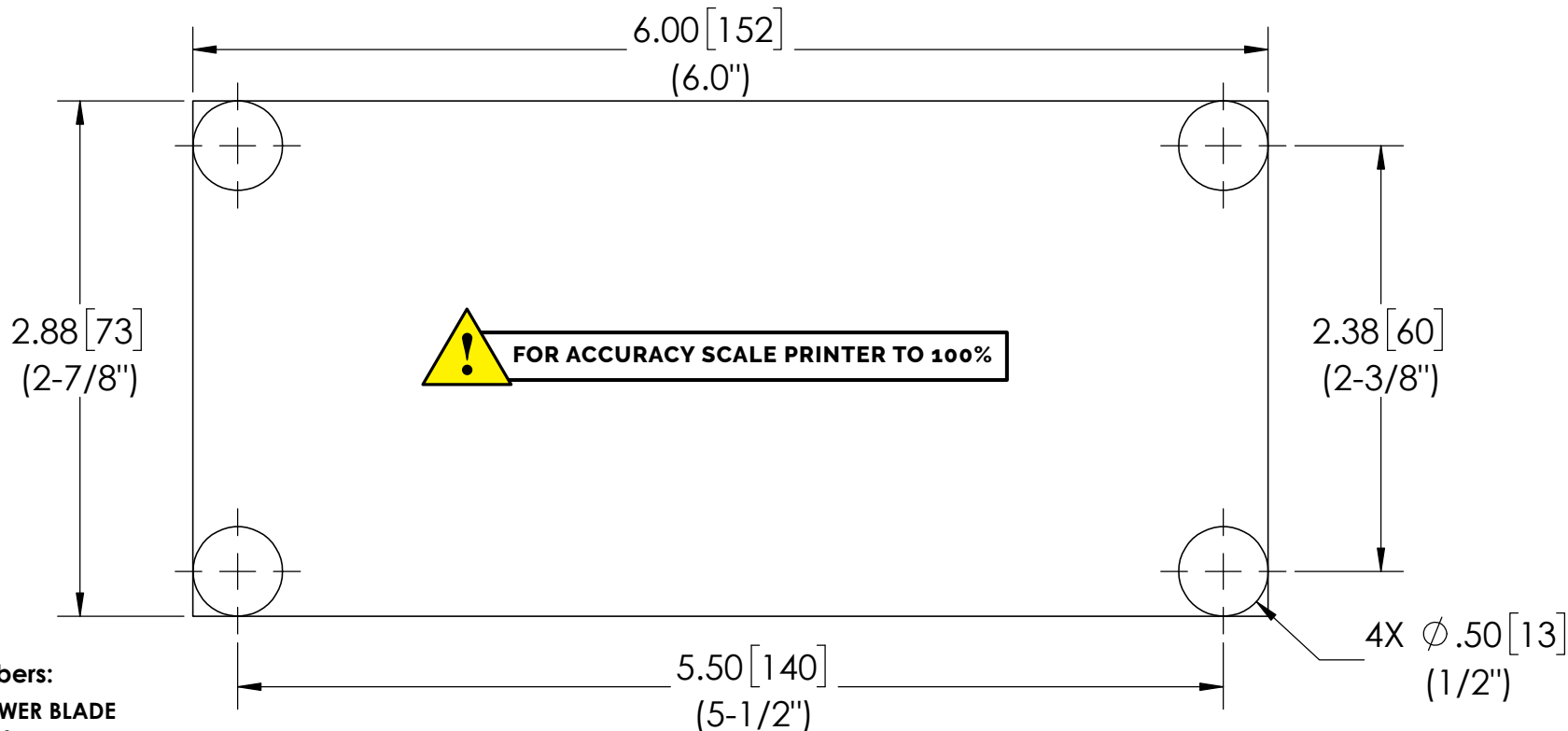
page 1

- 0290-00033
- 0290-00033-U
- 0290-00032
- 0290-00032-U
- 0290-00050
- 0290-00050-U

NOTES:

1. DIMENSIONS ARE IN: INCHES [mm]
(INCHES FRACTIONAL)

REV	REVISION DESCRIPTION	BY	DATE	APPROVED BY
001	INITIAL RELEASE	BN	7/17/2017	SD
002	ADDED STYLE DRAWER BLADE 0290-00321, 00324 TO MODEL NUMBERS	BN	5/9/2018	SD



Part Numbers:

STYLE DRAWER BLADE

- 0290-00324
- 0290-00324-I
- 0290-00324-U
- 0290-00324-UI
- 0290-00321
- 0290-00321-I
- 0290-00321-U
- 0290-00321-UI

STYLE DRAWER FLUSH

- 0290-00033
- 0290-00033-U
- 0290-00032
- 0290-00032-U
- 0290-00050
- 0290-00050-U

APPLIES TO STYLE DRAWER POWERING OUTLETS
Need Help? Have questions? We want to help. Call us at (530) 205-3625

DOCKING DRAWER, INC. CONFIDENTIAL: THIS DOCUMENT AND THE INFORMATION CONTAINED IN IT ARE CONFIDENTIAL, AND CANNOT BE COPIED OR DISCLOSED IN WHOLE OR IN PART WITHOUT THE EXPRESS WRITTEN CONSENT OF DOCKING DRAWER, INC.



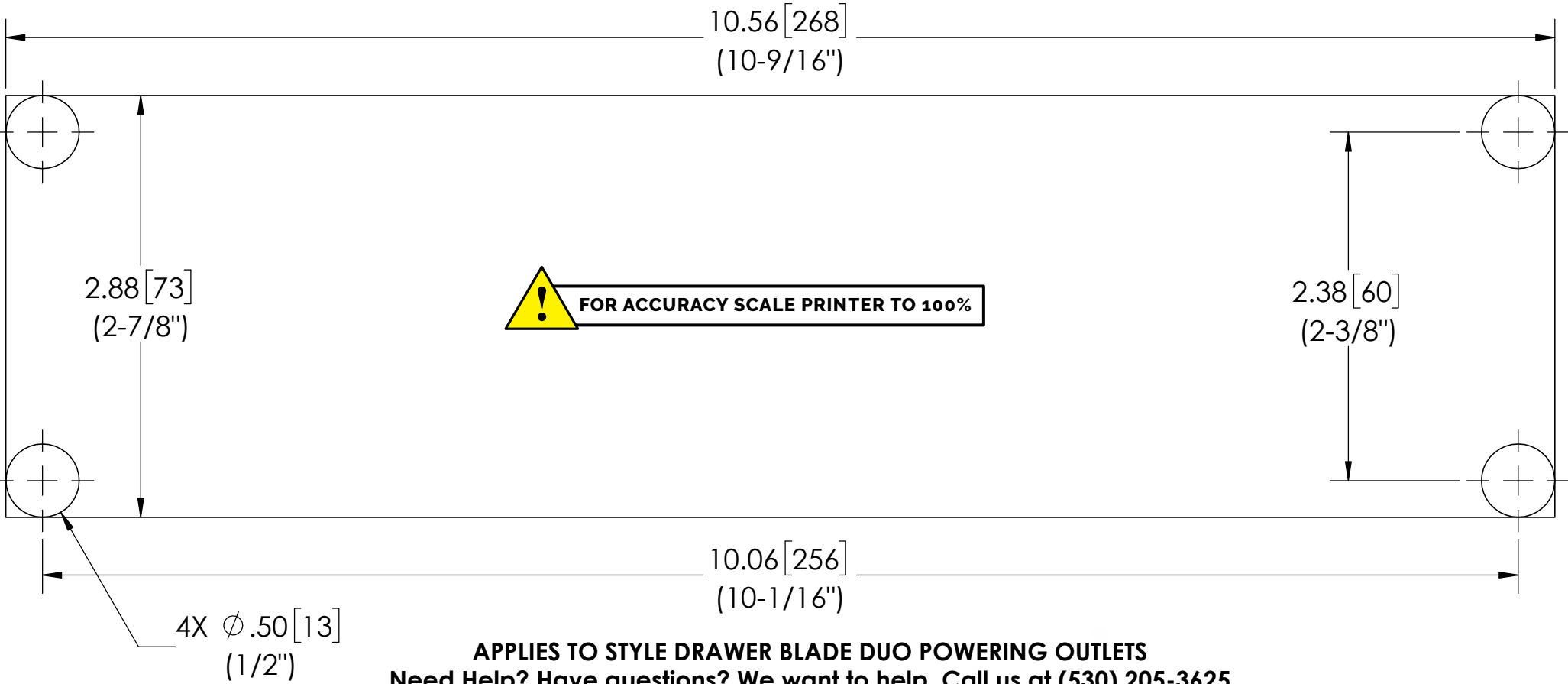
TITLE:
**STYLE DRAWER SERIES
 RECEPTACLE BOX
 CUTOUT TEMPLATE**

SIZE	DWG. NO.	REV
A	0170-00069	002
SCALE: 1:1		SHEET 1 OF 1

NOTES:

1. DIMENSIONS ARE IN: INCHES [mm]
(INCHES FRACTIONAL)

REV	REVISION DESCRIPTION	BY	DATE	APPROVED BY
001	INITIAL RELEASE	BN	5/9/2018	SD



Part Numbers:

- STYLE DRAWER BLADE DUO
- 0290-20324
- 0290-20324-I
- 0290-20324-U
- 0290-20324-UI
- 0290-20321
- 0290-20321-I
- 0290-20321-U
- 0290-20321-UI

DOCKING DRAWER, INC. CONFIDENTIAL; THIS DOCUMENT AND THE INFORMATION CONTAINED IN IT ARE CONFIDENTIAL AND CANNOT BE COPIED OR DISCLOSED IN WHOLE OR IN PART WITHOUT THE EXPRESS WRITTEN CONSENT OF DOCKING DRAWER, INC.



TITLE: STYLE DRAWER BLADE DUO SERIES RECEPTACLE BOX CUTOUT TEMPLATE		
SIZE A	DWG. NO. 0170-00079	REV 001
SCALE: 1:1	SHEET 1 OF 1	