

# Docking Drawer™

## Pop-Up Powering Outlet Installation Instructions



### Time Required - 30 min

- Tools Needed:
- Jigsaw
  - Drill
  - Measuring Tape
  - Screwdriver
  - Square
  - Pencil
  - Cutout Template

### Prior to Installation

- Contact a local electrical inspector to make sure that this product meets or exceeds all local electrical codes (electric codes may vary by location).
- Make sure there is adequate space to install.
- Disconnect and turn off all power sources.

Visit our [Specification Library](http://www.dockingdrawer.com) at [www.dockingdrawer.com](http://www.dockingdrawer.com) to find additional mounting diagrams and cut out templates.



### CAUTION – READ CAREFULLY

- For indoor use only.
- This product is designed for countertops, desktops, and similar surfaces (this product is not suitable for floor use).
- All non GFI units must be wired to a GFCI circuit breaker if being installed in a kitchen, bathroom or any other area where the potential for water is present.
- **Electric cord and plug may not be cut off for hardwiring. Doing so will negate any warranty or return of material.**
- These products have no filed serviceable parts. If the product is damaged, it must be returned. Any attempt to alter this product in any way may cause electrocution.

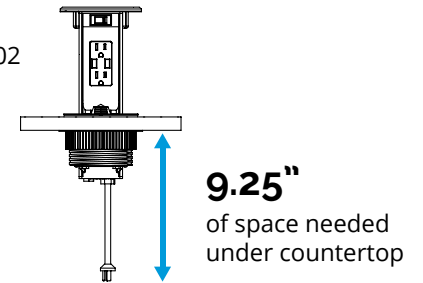
## How to Install the Outlet

**Step 1 -** Select the desired location of the pop-up outlet in the countertop or desktop. The selected location must be:

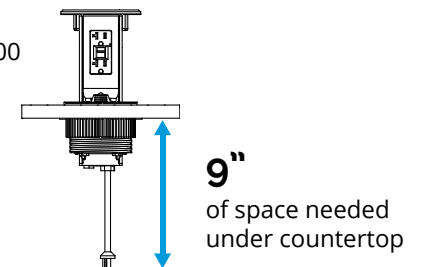
- At least 10" from stove top or other heating sources
- At least 13/16" (20mm) away from the edge of the countertop.

The mounting surface must be also between 3/8" (9.5mm) and 2 3/16" (55mm) thick and have the following clearances:

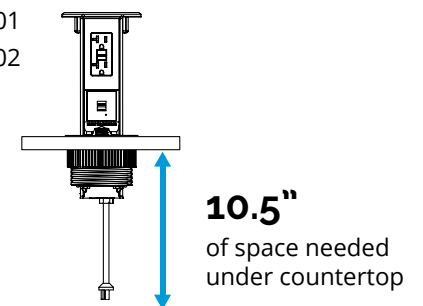
15 AMP:  
0290-70002



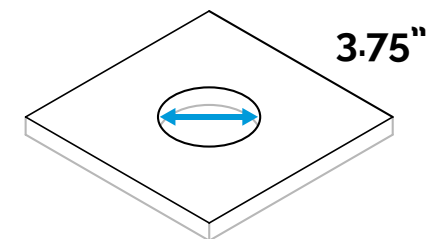
20 AMP:  
0290-80000



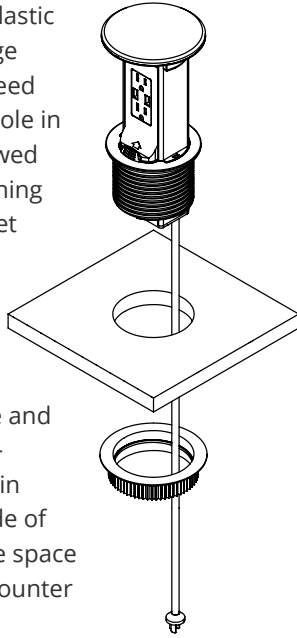
0290-80001  
0290-80002



**Step 2 -** Cut 3.75" (95.25 mm) hole in surface of countertop.



**Step 3 -** Remove plastic threaded locking flange from pop-up outlet. Feed power cord through hole in countertop first, followed by pop-up outlet, pushing down until black gasket rests on countertop.



**Step 4 -** Feed power cord through locking flange and thread flange counter-clockwise until locked in place against underside of countertop. The flange space width needed under counter is 4 15/16".

**Step 5 -** Plug power cord into electrical outlet box underneath countertop. The 15 amp models (0290-70002) need to be plugged into an outlet on a GFI circuit. The 20amp GFI models (0290-8000, 0290-80001, and 0290-80002) need to be plugged into a 20 amp outlet. Remove plastic protective film from cover and discard.

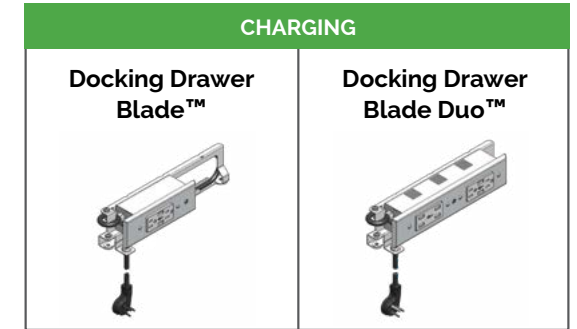
**Step 6 -** To open pop up feature, press firmly on cover. Unit will deploy upward approximately 1" initially, then pull cover upward until unit locks into place. To close device, push the red plastic locking tab and push down on cover until locked.

## NOTICE

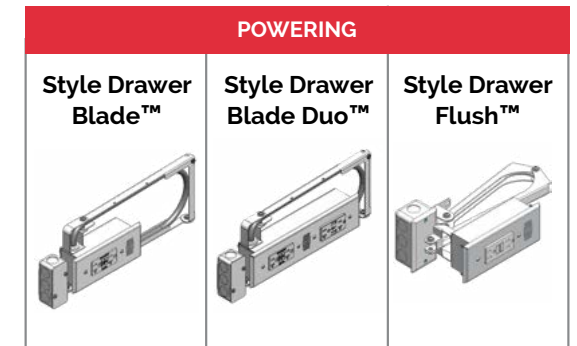
Countertop unit must be cut in as specified. For the unit to deploy, the metal flange and black neoprene gasket must be on top of countertop to create counter pressure. Attempting to cut a larger hole to draw down the cover closer to the countertop will not allow the cover to deploy as there is not enough counter pressure to make the unit release. There will be a 3/16" gap when cover is closed, however, the watertight rating will still be valid as no liquid or solid can penetrate the gasket. A matching outer trim rings ships with every pop-up outlet, it can be installed to provide a more contoured look with the countertop. However, this look is personal preference, you may like the look with or without it.

If you wish to install, place a small bead of silicone on the bottom of the ring, then place on counter around pop up and allow 24 hours to dry. All non GFI pop-up outlets include a reset button at the top of the units. The pop-up outlets are under manufacturer warranty for one year from date of purchase.

## Docking Drawer™ Complete Outlet Lineup



Max output: 3 amps. Perfect for charging cell phones, tablets, and laptops.



AG062619

Max output: 20 amps, GFCI outlets. Perfect for powering hair dryers, curling irons, and small kitchen appliances.

## Docking Drawer™

**Have questions? Need help? Call us!**

📞 (530) 205-3625

🏠 12893 Alcosta Blvd, Suite M,  
San Ramon, CA 94583

✉ sales@dockingdrawer.com

🌐 www.dockingdrawer.com