

Docking Drawer™

Cut Out Templates

Choose Your Outlet

Blade

page 1

0290-30000

0290-30001

0290-30002

Blade Duo

page 2

0290-30100

0290-30101

0290-30102

0290-30400

0290-30402

USB Narrow

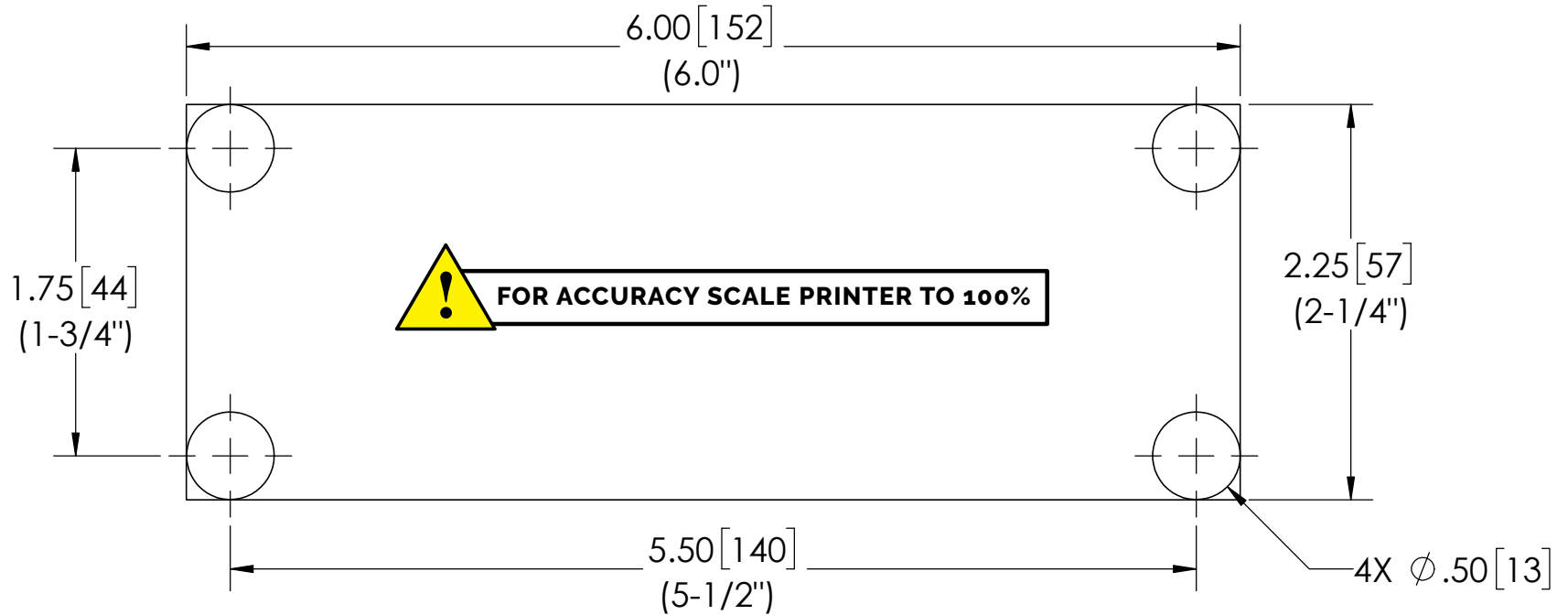
page 3

0290-00078

NOTES:

1. DIMENSIONS ARE IN: INCHES [mm]
(INCHES FRACTIONAL)

REV	REVISION DESCRIPTION	BY	DATE	APPROVED BY
001	INITIAL RELEASE	BN	5/8/2017	SD
002	ADDED 0290-30000, 30001 TO BLADE MODEL NUMBERS	BN	5/9/2018	SD



APPLIES TO DOCKING DRAWER BLADE AND SLIM CHARGING OUTLETS*

Need Help? Have questions? We want to help. Call us at (530) 205-3625

***Model Numbers:**

BLADE
0290-30000
0290-30001
0290-30002

DOCKING DRAWER, INC. CONFIDENTIAL: THIS DOCUMENT AND THE INFORMATION CONTAINED IN IT ARE CONFIDENTIAL, AND CANNOT BE COPIED OR DISCLOSED IN WHOLE OR IN PART WITHOUT THE EXPRESS WRITTEN CONSENT OF DOCKING DRAWER, INC.



TITLE:

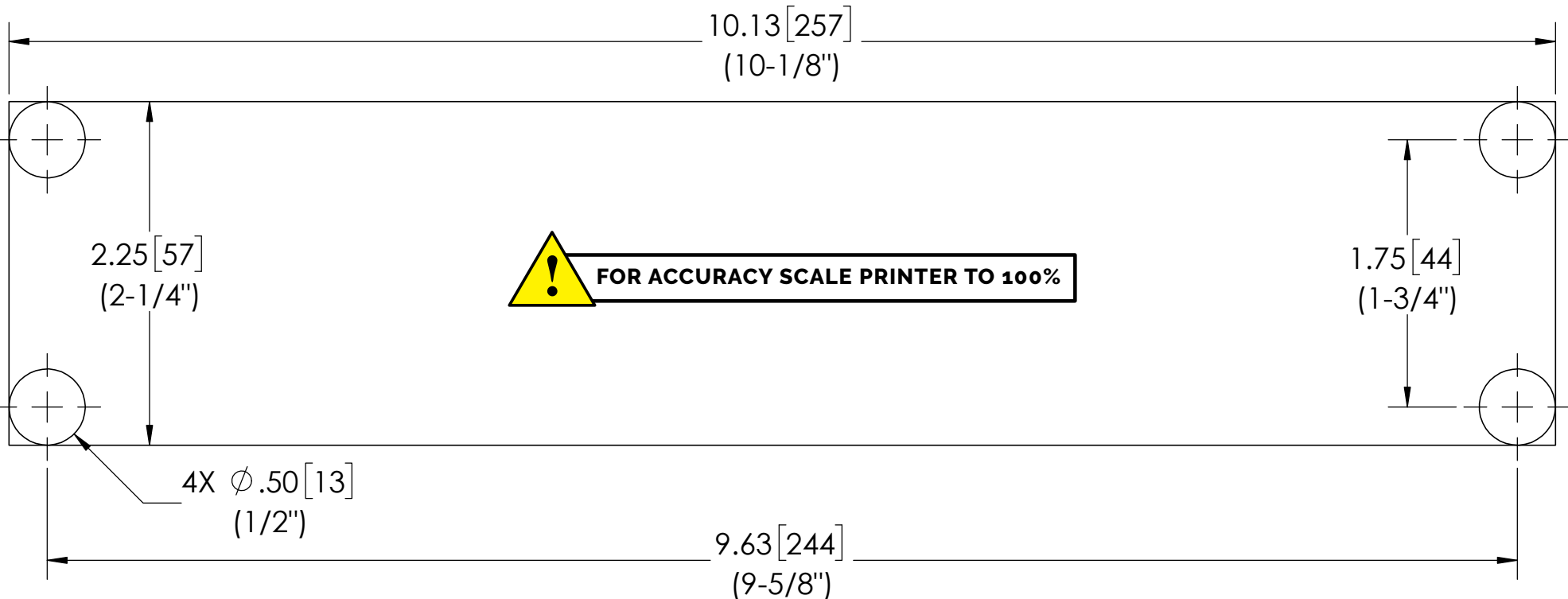
**BLADE AND SLIM SERIES
RECEPTACLE BOX
CUTOUT TEMPLATE**

SIZE	DWG. NO.	REV
A	0170-00066	002
SCALE: 1:1	SHEET 1 OF 1	

NOTES:

1. DIMENSIONS ARE IN: INCHES [mm]
(INCHES FRACTIONAL)

REV	REVISION DESCRIPTION	BY	DATE	APPROVED BY
001	INITIAL RELEASE	BN	7/17/2017	SD
002	ADDED 0290-30100, 30101 AND 30400 TO MODEL NUMBERS	BN	5/9/2018	SD



APPLIES TO DOCKING DRAWER BLADE DUO CHARGING OUTLETS*

Need Help? Have questions? We want to help. Call us at (530) 205-3625

***Model Numbers:**

- BLADE DUO**
- 0290-30100**
- 0290-30101**
- 0290-30102**
- 0290-30400**
- 0290-30402**

DOCKING DRAWER, INC. CONFIDENTIAL: THIS DOCUMENT AND THE INFORMATION CONTAINED IN IT ARE CONFIDENTIAL, AND CANNOT BE COPIED OR DISCLOSED IN WHOLE OR IN PART WITHOUT THE EXPRESS WRITTEN CONSENT OF DOCKING DRAWER, INC.



TITLE:

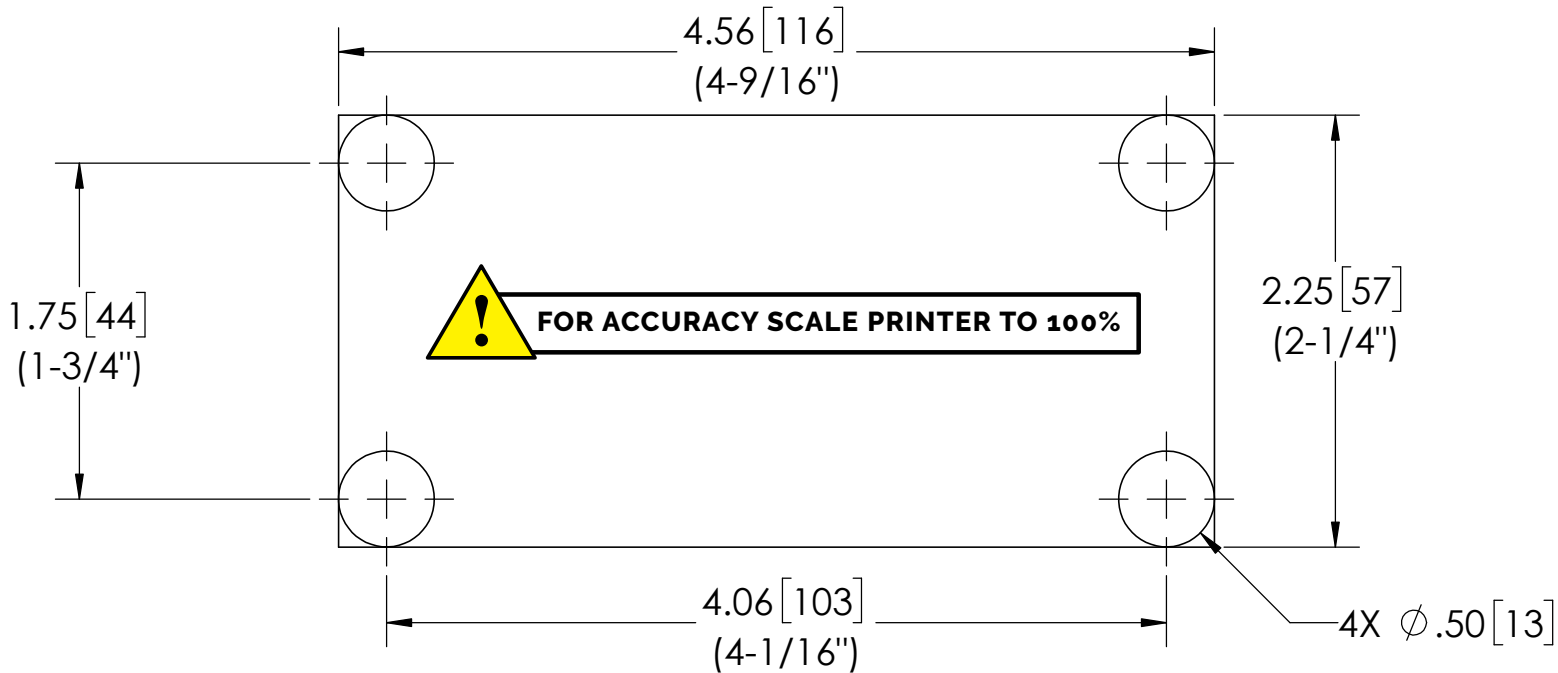
**BLADE DUO SERIES
RECEPTACLE BOX
CUTOUT TEMPLATE**

SIZE	DWG. NO.	REV
A	0170-00068	002
SCALE: 1:1		SHEET 1 OF 1

NOTES:

1. DIMENSIONS ARE IN: INCHES [mm]
(INCHES FRACTIONAL)

REV	REVISION DESCRIPTION	BY	DATE	APPROVED BY
001	INITIAL RELEASE	BN	7/10/2018	SD



APPLIES TO DOCKING DRAWER USB NARROW CHARGING OUTLETS*

Need Help? Have questions? We want to help. Call us at (530) 205-3625

*Model Numbers:

**USB Narrow
0290-00078**

DOCKING DRAWER, INC. CONFIDENTIAL: THIS DOCUMENT AND THE INFORMATION CONTAINED IN IT ARE CONFIDENTIAL, AND CANNOT BE COPIED OR DISCLOSED IN WHOLE OR IN PART WITHOUT THE EXPRESS WRITTEN CONSENT OF DOCKING DRAWER, INC.



TITLE: DOCKING DRAWER USB NARROW RECEPTACLE BOX CUTOUT TEMPLATE		
SIZE A	DWG. NO. 0170-00080	REV 001
SCALE: 1:1		SHEET 1 OF 1