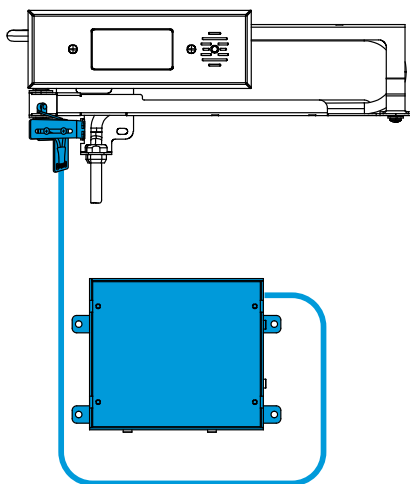


Docking Drawer®

Blade Series

SAFETY INTERLOCK BOX



The Safety Interlock Box uses a limit switch to de-energize the outlet when the drawer starts to close and can be added to any 15 or 20 amp Blade Series outlet. The Safety Interlock Box is optional in the US and can be added as a second layer of safety for additional peace of mind. In Canada, the Safety Interlock Box satisfies the requirements of the Canadian Electrical Code (CEC) for AC outlets in enclosed spaces.


Safety Interlock Box Configurations

BEST SELLER




Safety Interlock Box Corded
0290-00815

Corded | 15 amp




Safety Interlock Box Hardwired
0290-00815HW

Hardwired | 15 amp



Safety Interlock Box Corded
0290-00820

Corded | 20 amp



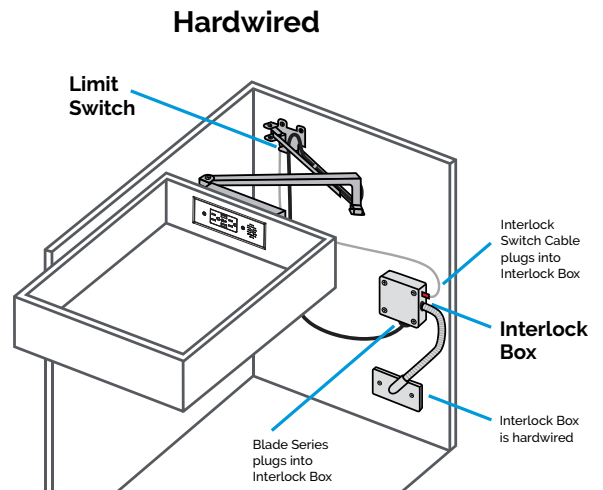
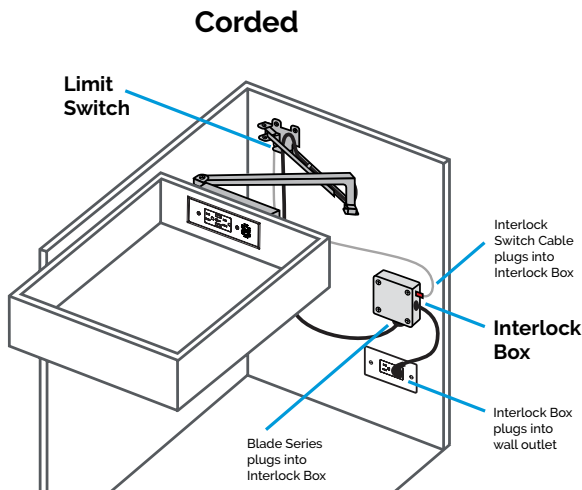
Safety Interlock Box Hardwired
0290-00820HW

Hardwired | 20 amp

How Does it Work?

The Safety Interlock Box can easily be installed between the electrical supply and the Docking Drawer Blade Series outlet. It serves as an interlock which uses a limit switch to de-energize the outlet when the drawer starts to close. In Canada, the Safety Interlock Box satisfies the requirements of the Canadian Electrical Code (CEC) for AC outlets in enclosed spaces.

Electrical Connection



1514-222 & 1514-120 are ETL Listed for use in Canada. All other outlets are ETL Listed for use in

Canada when installed with a with a Docking Drawer Safety Interlock Box* . (*sold separately)

Pro Tip

Safety Interlock Box requires the same 2" of space behind the drawer box as the Blade Series outlets.

The cable that runs from the Limit Switch to the Safety Interlock Box is a low voltage cable. If it is nicked or damaged, it will also cut power to the outlet.

Using a 20 amp Outlet?

20 amp Safety Interlock Box is available.

Need More Specs?

Download the PDF Spec Book at dockingdrawer.com/spec-books