



photo credit
PREFERRED KITCHENS

Style Drawer Blade Interlock Box

De-energize in-drawer powering outlets with a CSA and ETL Listed Interlock box by Docking Drawer.

Smart.

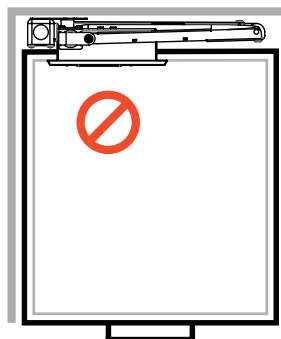
Style Drawer Blade's interlocking thermostats have always cut power to the outlet in the event that the ambient temperature exceeds 120° F. Now the new Style Drawer Blade Interlock Box is designed to de-energize any Style Drawer Blade in-drawer powering outlet when the drawer is not in the full open position.



For our Canadian customers, the Style Drawer Blade Interlock Box satisfies the requirements listed in section 26-710 of the Canadian Electrical Code (CEC) that stipulates the outlet is de-energized when a drawer is closed. This means that the Style Drawer Blade in-drawer powering outlets with the Style Drawer Interlock Box will be the first ever in-drawer outlet to pass electrical inspections in Canada.

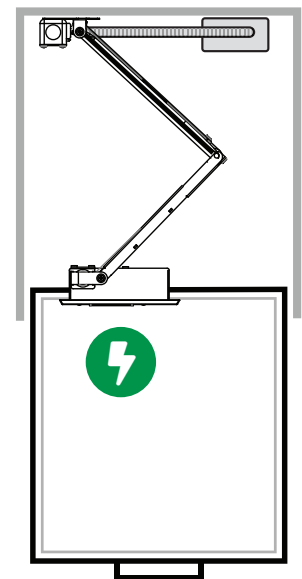
Drawer Closed

Outlet De-energized

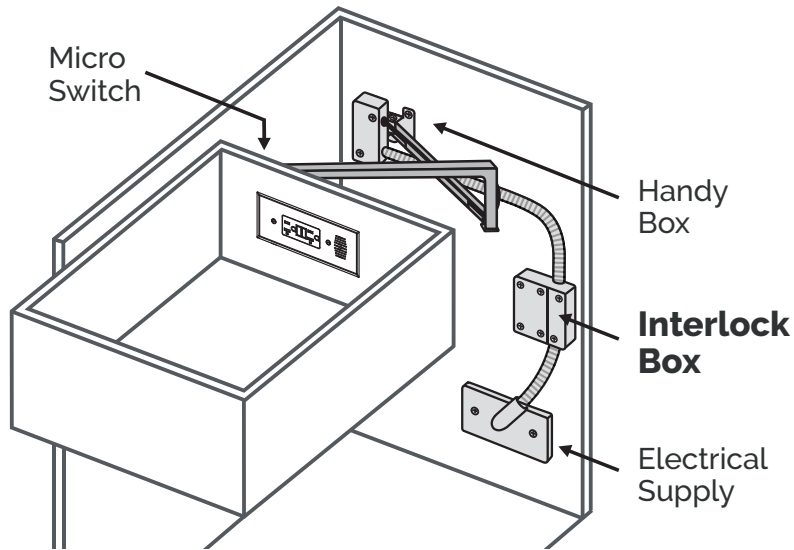


Drawer Open

Outlet Energized



For our customers in the United States and Mexico the Style Drawer Interlock box is not required to pass electrical inspections; however, it can be used to provide an additional level of safety.



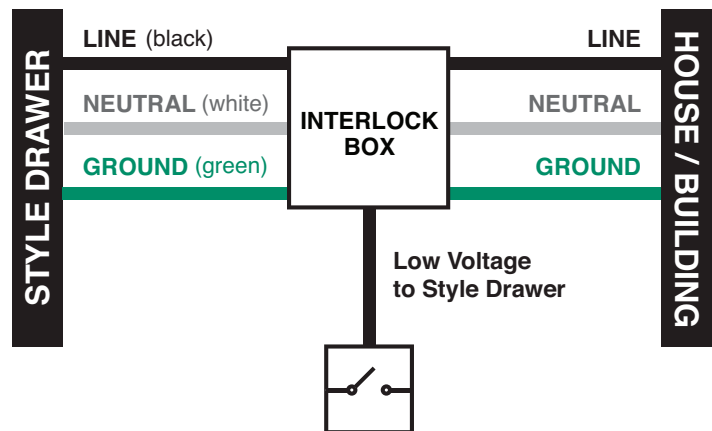
Simple.

How Does It Work? The Style Drawer Blade Interlock Box can easily be installed between the cabinet's electrical supply and the Style Drawer Blade handy box. It serves as an interlock which cuts power to the outlet if the drawer box is not fully open.

Safe.

Using a micro switch to detect the position of the drawer box, the Style Drawer Blade Interlock Box increases the level of safety provided by our outlets. And as with all our products, this low voltage switch has been extensively cycle tested to ensure trouble-free use. Should an issue arise or if the micro switch becomes disconnected from the interlock box, power is automatically cut to the outlet.

Wiring Diagram



| Features: | Style Drawer Blade & Style Drawer Blade Duo with Interlock Box |
|--|---|
| Part Number | Style Drawer 24 Blade 0290-00324-I Style Drawer 24 Blade Duo 0290-20324-I Style Drawer 21 Blade 0290-00321-I Style Drawer 21 Blade Duo 0290-20321-I <i>*Not compatible with Style Drawer Flush outlets*</i> |
| ETL 962a Listed | Yes |
| ETL CSA 22.2 Listed | Yes |
| Outlet Position Sensor | Micro Switch |
| Outlet Position Switch Connection to Interlock Box | Low Voltage |
| AC Connection | MC Connection |
| Electrical Connection | 120 Volts 20 amps |
| Warranty | 2 Years |

HU031119