

Docking Drawer™

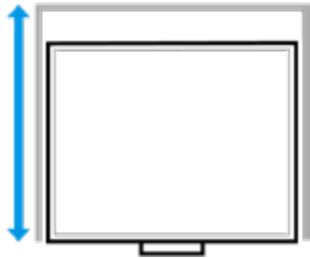
Charging Outlets
Mounting Diagrams



STEP 1 Measure Your Cabinet

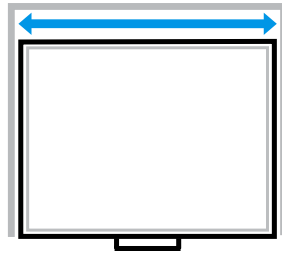
Docking Drawer outlets come in a variety of sizes offering different ranges of extensions. Here is how to find the right sized in-drawer outlet that works for your project:

1



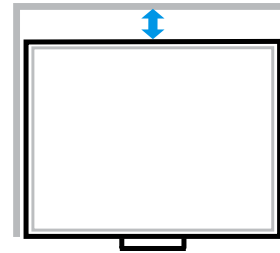
Start your project by measuring the cabinets depth.

2



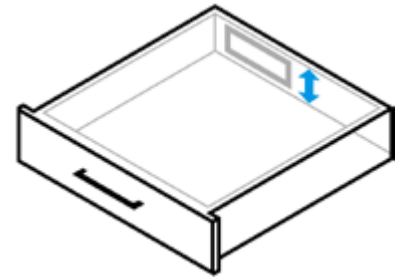
Measure the drawer box width (OD).

3



Then measure the space available behind the drawer box.

4



Then measure the interior drawer box height.

WARNING



This in-drawer outlet is intended for charging technology only. This outlet **WILL NOT** power a hair dryer, curling iron, mixer or other types of high-powered devices.

Seeking an in-drawer powering outlet? Check out Style Drawer series in-drawer outlets rated for 20 amps at www.dockingdrawer.com.

STEP 2

Use Your Measurements

Use your measurements when reviewing the mounting diagrams.

- 1) Cabinet Depth
- 2) Space behind the drawer box
- 3) Space available behind the drawer box
- 4) Interior Drawer Box Height

STEP 3

Choose Your Outlet

Blade & Blade Duo

page 4

USB Narrow

page 9

0290-30000
0290-30001
0290-30002

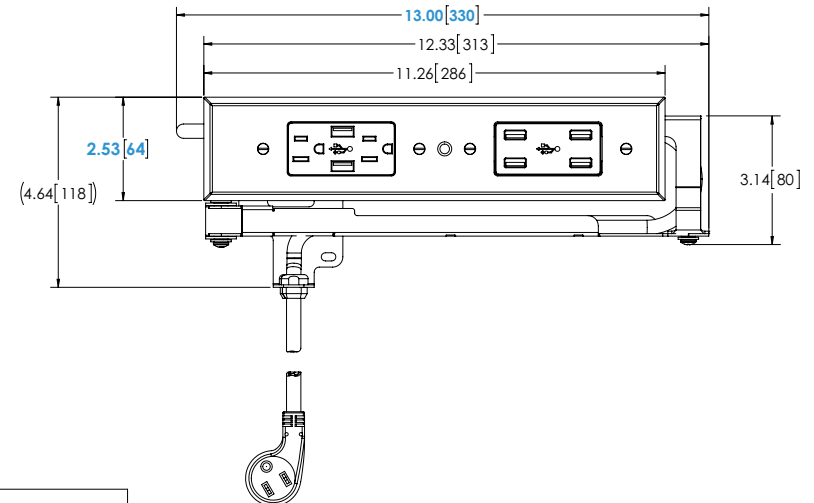
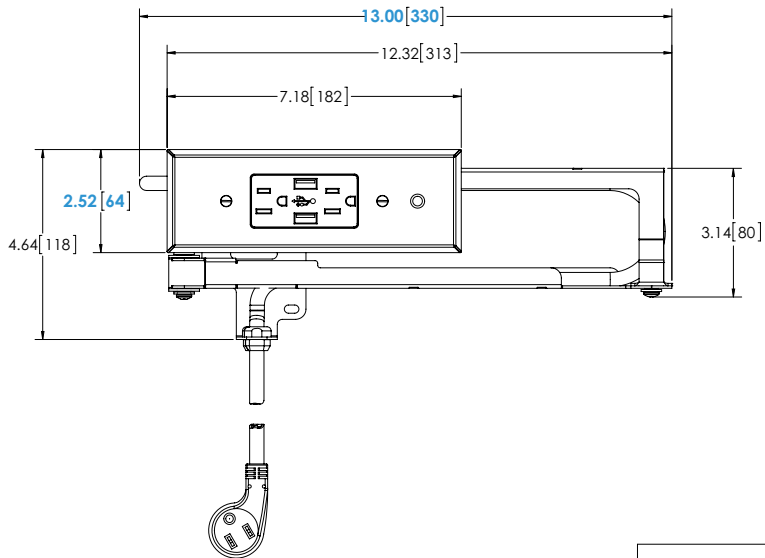
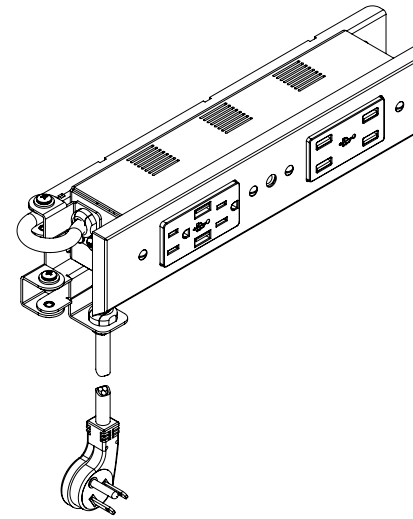
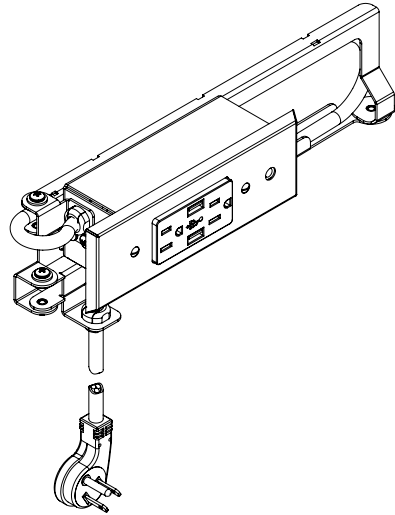


0290-30100
0290-30101

0290-30102
0290-30400
0290-30402

1. DIMENSIONS ARE IN: INCHES [mm]
2. DIMENSION SHOWN ARE FOR REFERENCE ONLY AND SHOULD BE VERIFIED IN THE FIELD DURING INSTALLATION.

REVISIONS					
ECO #	REV.	DESCRIPTION	BY	DATE	APPROVED
	001	INITIAL RELEASE	EN	3/9/2018	PH
	002	SWITCHED OUTLET POSITIONS ON DUO	EN	5/3/2018	PH



BLADE DIAGRAM

Call with Questions (925) 233-5598

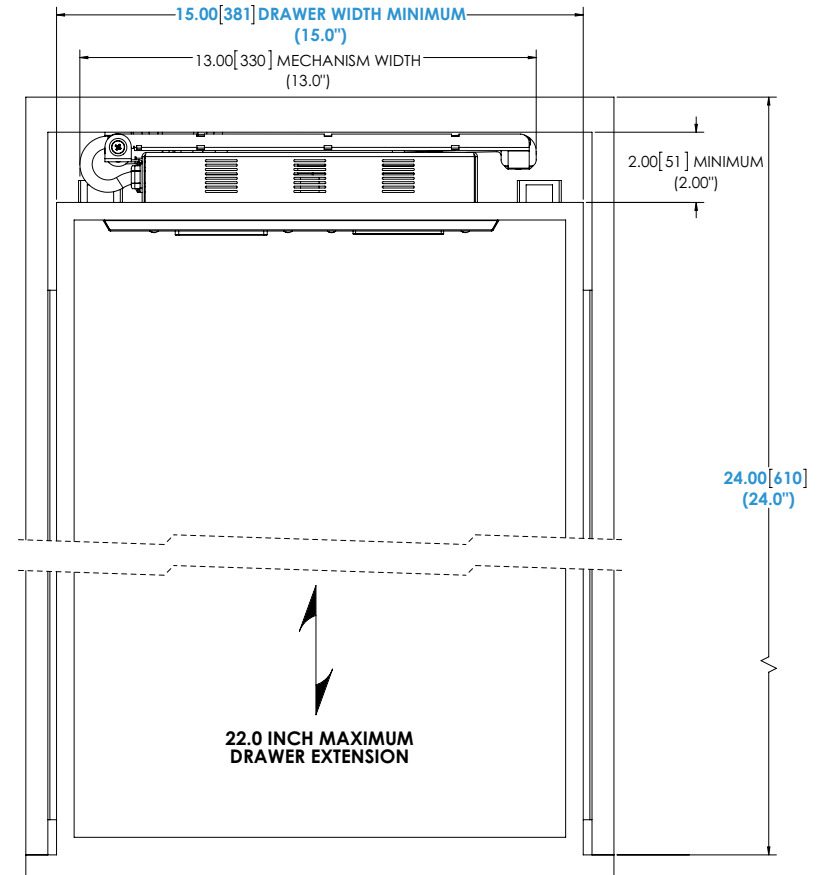
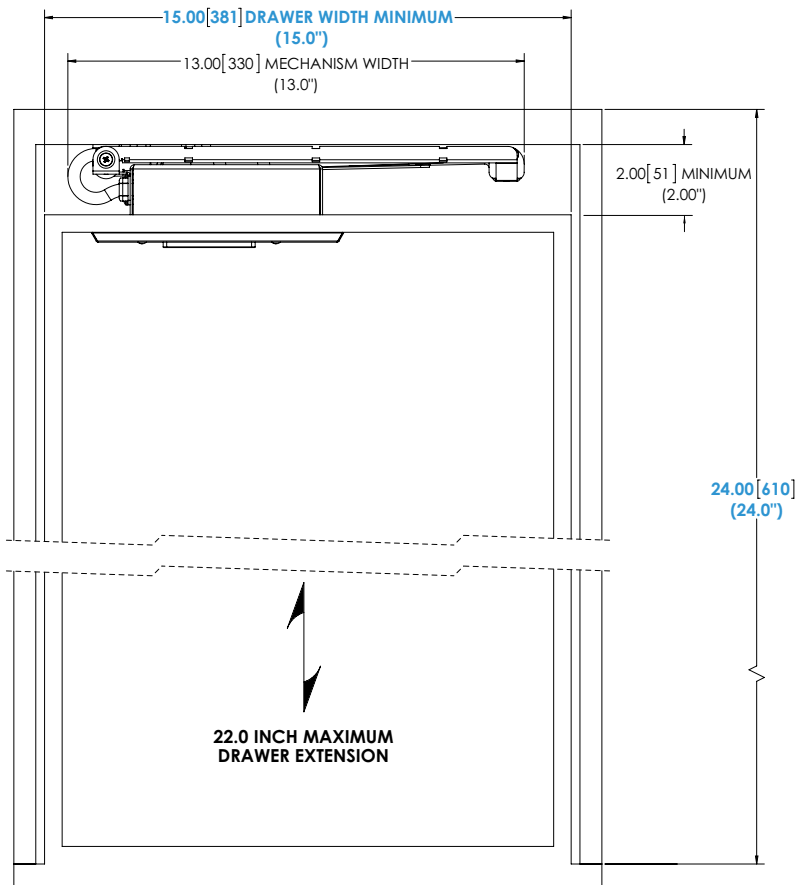
0290-30000
0290-30001
0290-30002



0290-30100
0290-30101

0290-30102
0290-30400
0290-30402

1. DIMENSIONS ARE IN: INCHES [mm]
(INCHES FRACTIONAL)



MOUNTING DIAGRAM

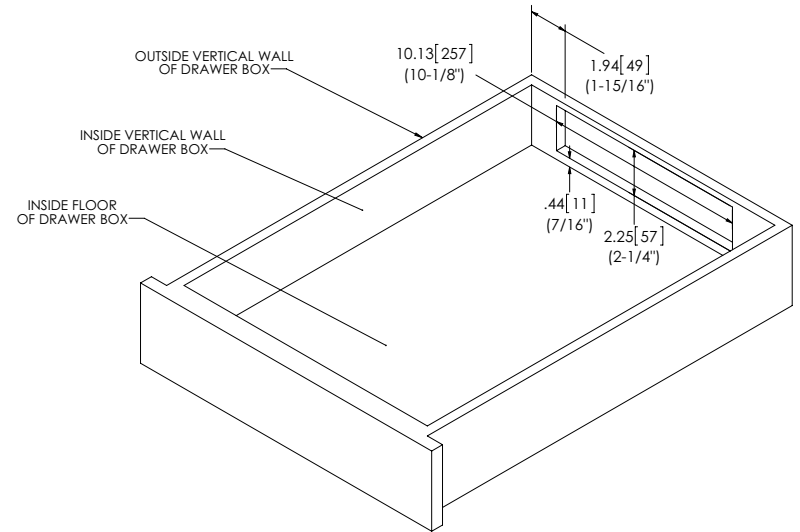
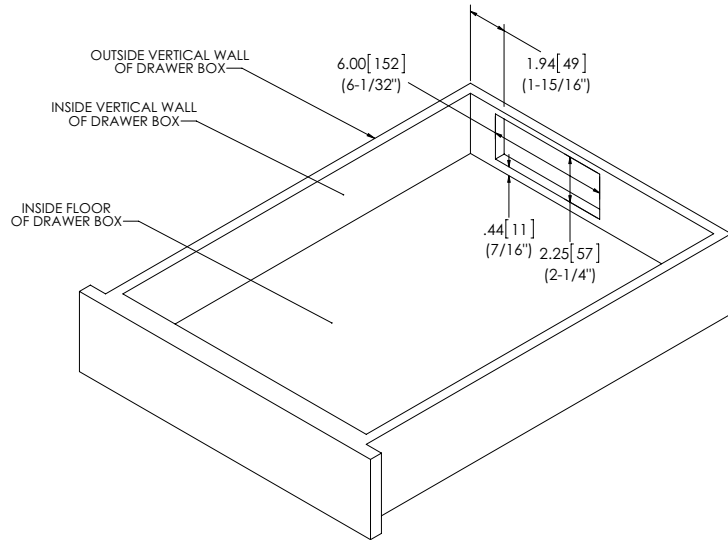
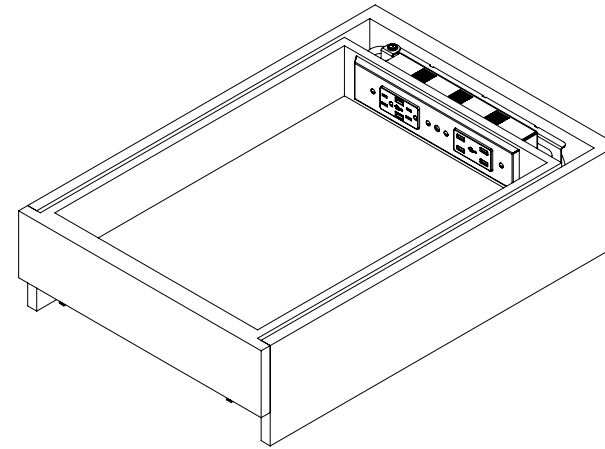
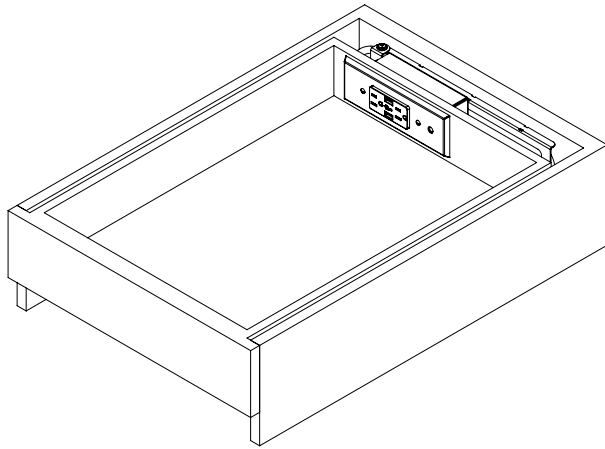
Call with Questions (925) 233-5598

0290-30000
0290-30001
0290-30002



0290-30100
0290-30101
0290-30102
0290-30400
0290-30402

1. DIMENSIONS ARE IN: INCHES [mm]
(INCHES FRACTIONAL)



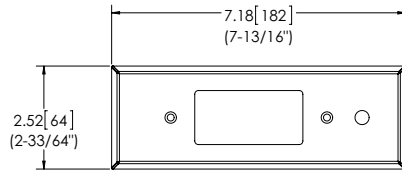
0290-30000
0290-30001
0290-30002



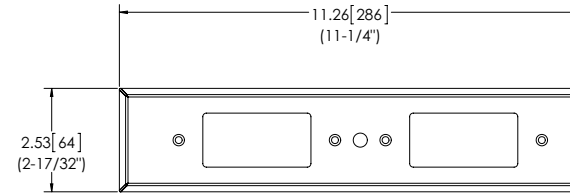
0290-30100
0290-30101

0290-30102
0290-30400
0290-30402

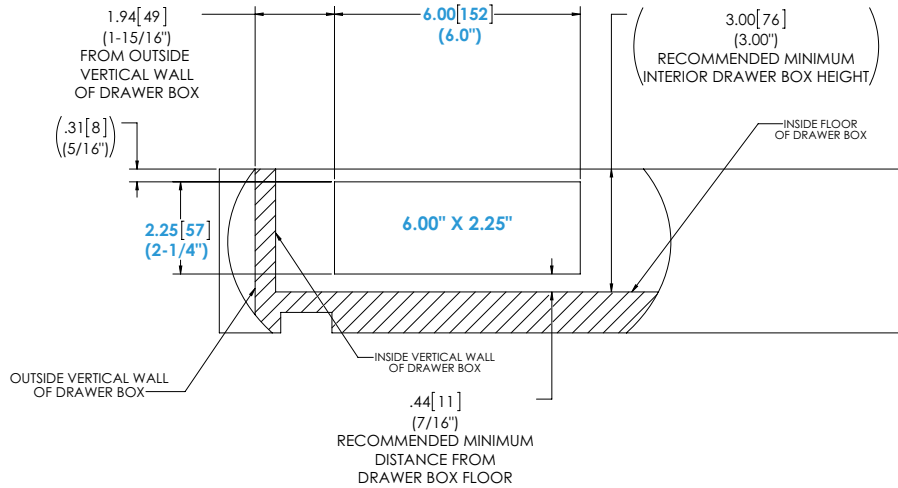
1. DIMENSIONS ARE IN: INCHES [mm]
(INCHES FRACTIONAL)



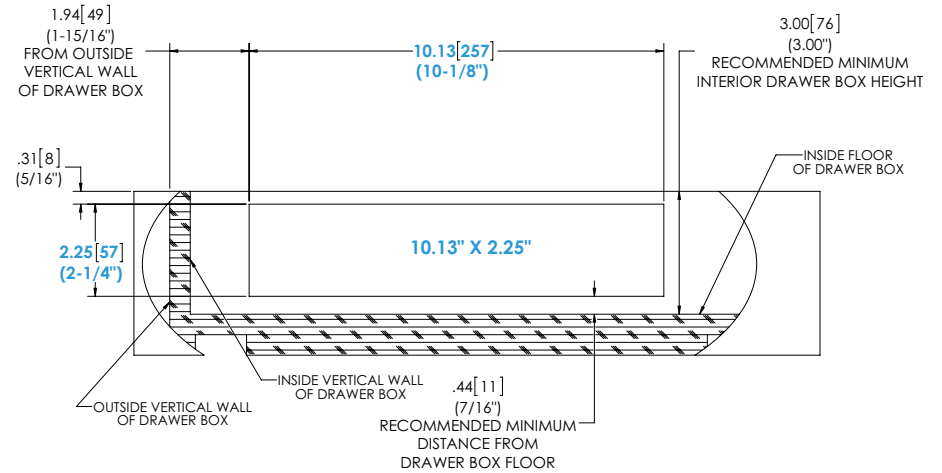
OUTLET COVER PLATE DIMENSIONS



OUTLET COVER PLATE DIMENSIONS



VIEW FROM FRONT FACE OF DRAWER



VIEW FROM FRONT FACE OF DRAWER

RECEPTACLE BOX CUTOUT

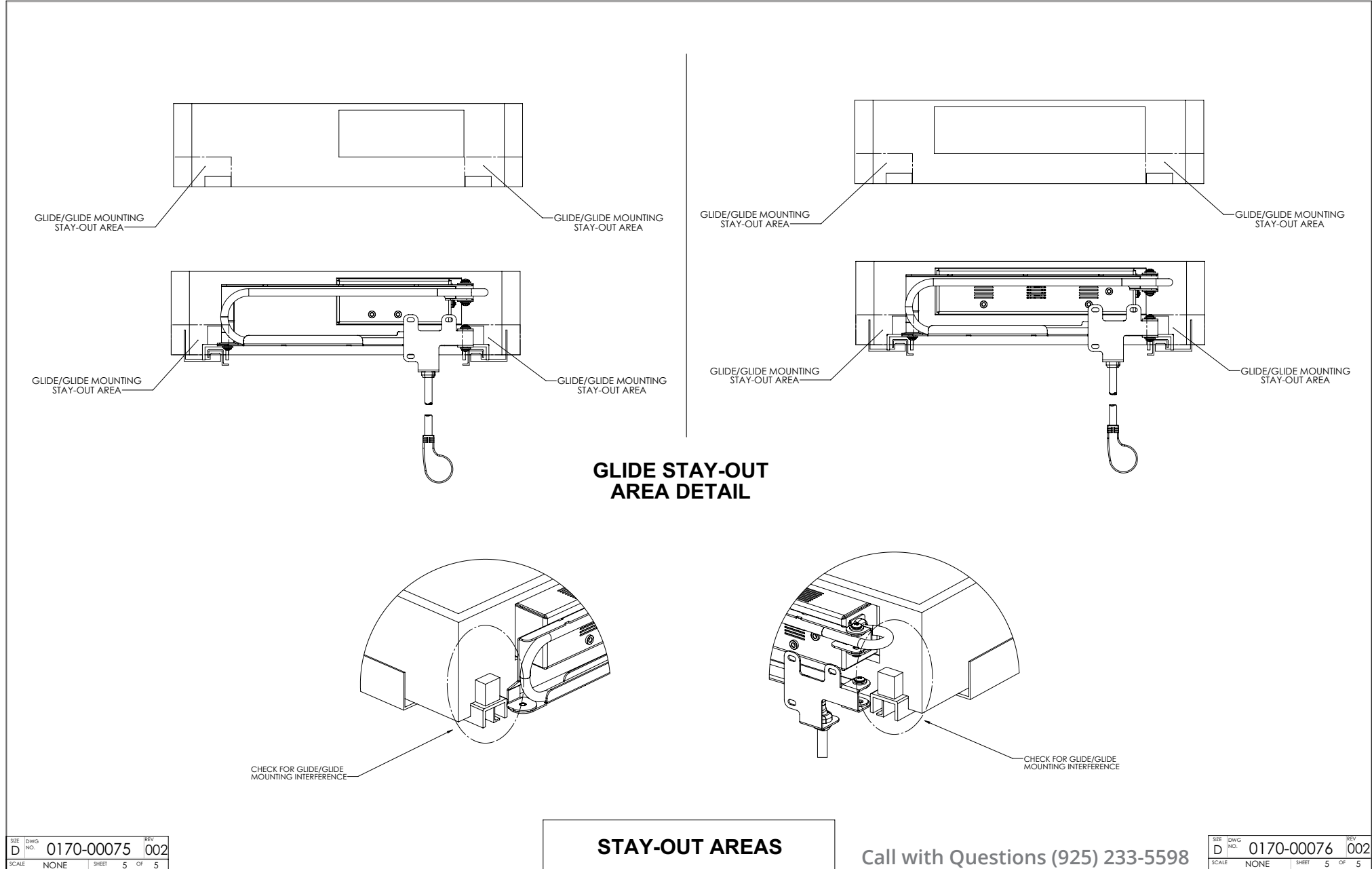
Call with Questions (925) 233-5598

0290-30000
0290-30001
0290-30002



0290-30100
0290-30101

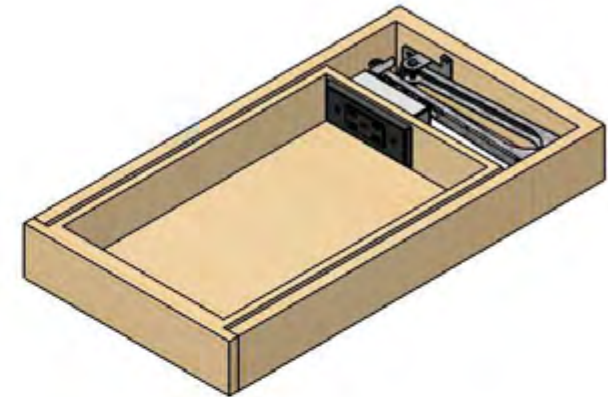
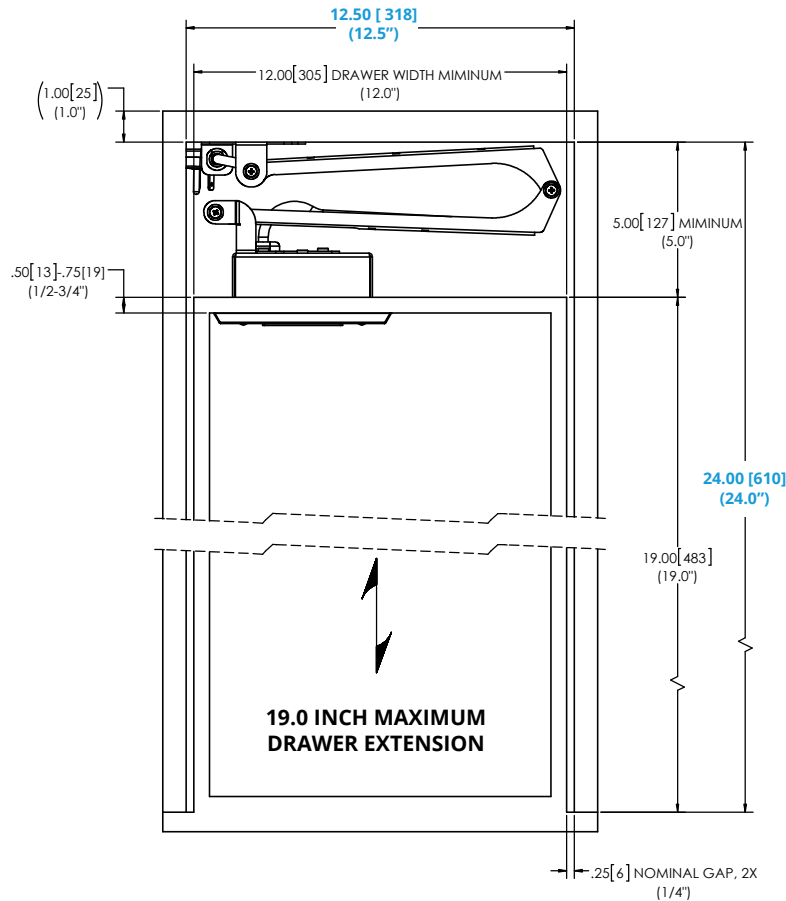
0290-30102
0290-30400
0290-30402



Docking Drawer™

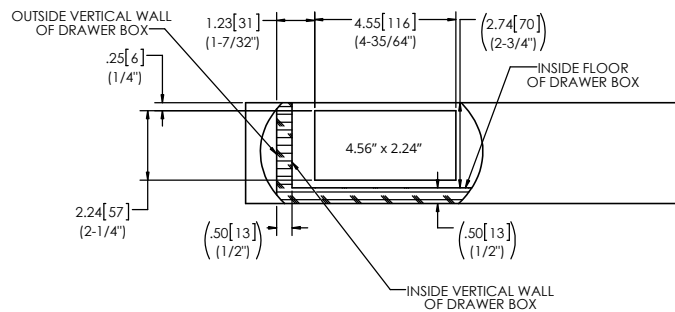
USB Narrow

0290-00078



**APPLIES TO DOCKING DRAWER USB NARROW CHARGING OUTLETS
P/N 0290-00078(W,S)**

Need help? Have questions? We want to help. Call us at (530) 205-3625.



Call with Questions (925) 233-5598

SIZE	DWG NO.	REV.
D	0170-00060	002
SCALE	1:2	SHEET 1 OF 1