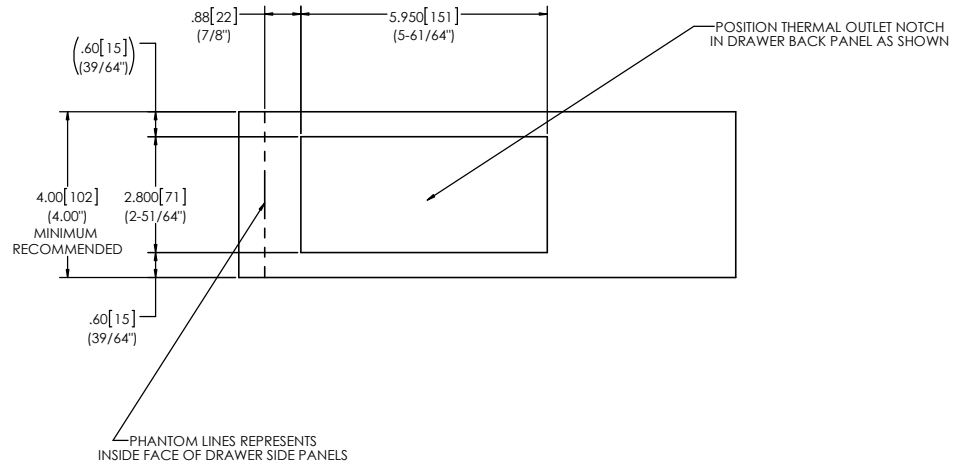
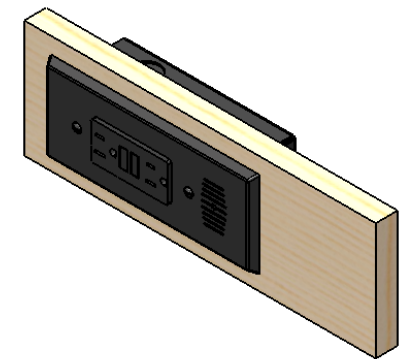
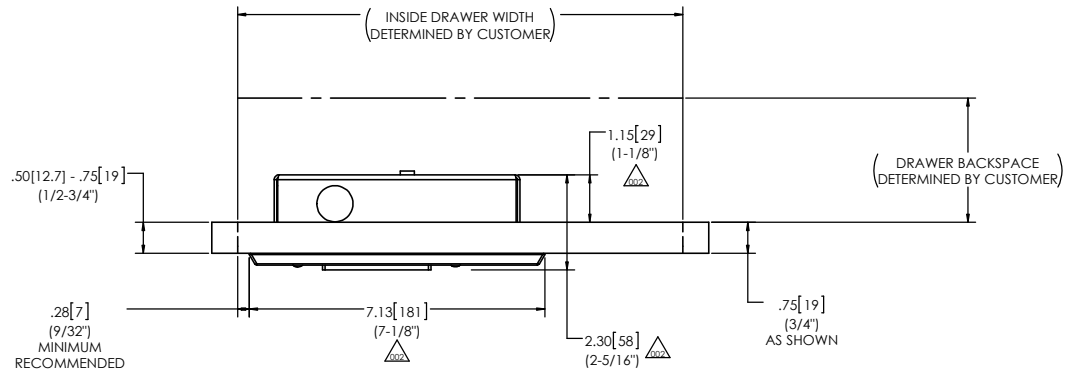


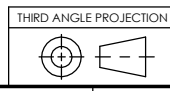
REVISIONS					
ECO #	REV	DESCRIPTION	BY	DATE	APPROVED
	001	INITIAL RELEASE	B.NEUMANN	7/24/2016	SD
	002	ADDED ADDITIONAL DIMENSIONS	B.NEUMANN	7/22/2016	JH
	003	REPLACED DRAWER CABINET WITH BACK PANEL ONLY. UPDATED VIEW DIMENSIONS AND DETAILS.	B.NEUMANN	7/24/2016	JH



APPLIES TO THERMAL OUTLET ASSEMBLIES, P/N 0290-00019, P/N 0290-00019W AND P/N 0290-00019S

1. DIMENSIONS ARE IN: INCHES (mm) (INCHES FRACTIONAL)
2. THIS DRAWING SHALL BE USED WITH THE 3D MODEL FOR COMPLETE PART DEFINITION. TOLERANCES ON ALL DIMENSIONED FEATURES TAKE PRECEDENCE OVER 3D PART MODEL. ALL UNDIMENSIONED FEATURES ARE DEFINED BY THE 3D PART MODEL AND MUST BE HELD TO  $\pm 1/16"$ .

NOTES, UNLESS OTHERWISE SPECIFIED:



NEXT ASSY	APPROVALS	DATE	UNLESS OTHERWISE SPECIFIED: ALL DIMS IN INCHES, & INCLUDE CHEM. APPLIED/PLATED FINISH. REMOVE BURRS & SHARP EDGES. DO NOT SCALE DRAWING.		TITLE DIAGRAM, MOUNTING, THERMAL OUTLET
DWG	B.NEUMANN	7/25/2016			
CHECK					
ENGR	B.NEUMANN	7/25/2016			
INFO ENGR			TOL: .XX: $\pm 3/32$	SUBSURFACES: N/A	SIZE D NO. 0170-00050 SCALE 2:3 SHEET 1 OF 1
REFD			TOL: .XXX: $\pm 1/16$		
			TOL: ANGLE: $\pm .5^\circ$		
JTECH SOLUTIONS, INC. CONFIDENTIAL: THIS DOCUMENT AND THE INFORMATION CONTAINED IN IT ARE CONFIDENTIAL AND CANNOT BE COPIED OR DISCLOSED IN WHOLE OR IN PART WITHOUT THE EXPRESS WRITTEN CONSENT OF JTECH SOLUTIONS, INC.			MATL (SEE NOTES)		REV 003
			FINISH (SEE NOTES)		