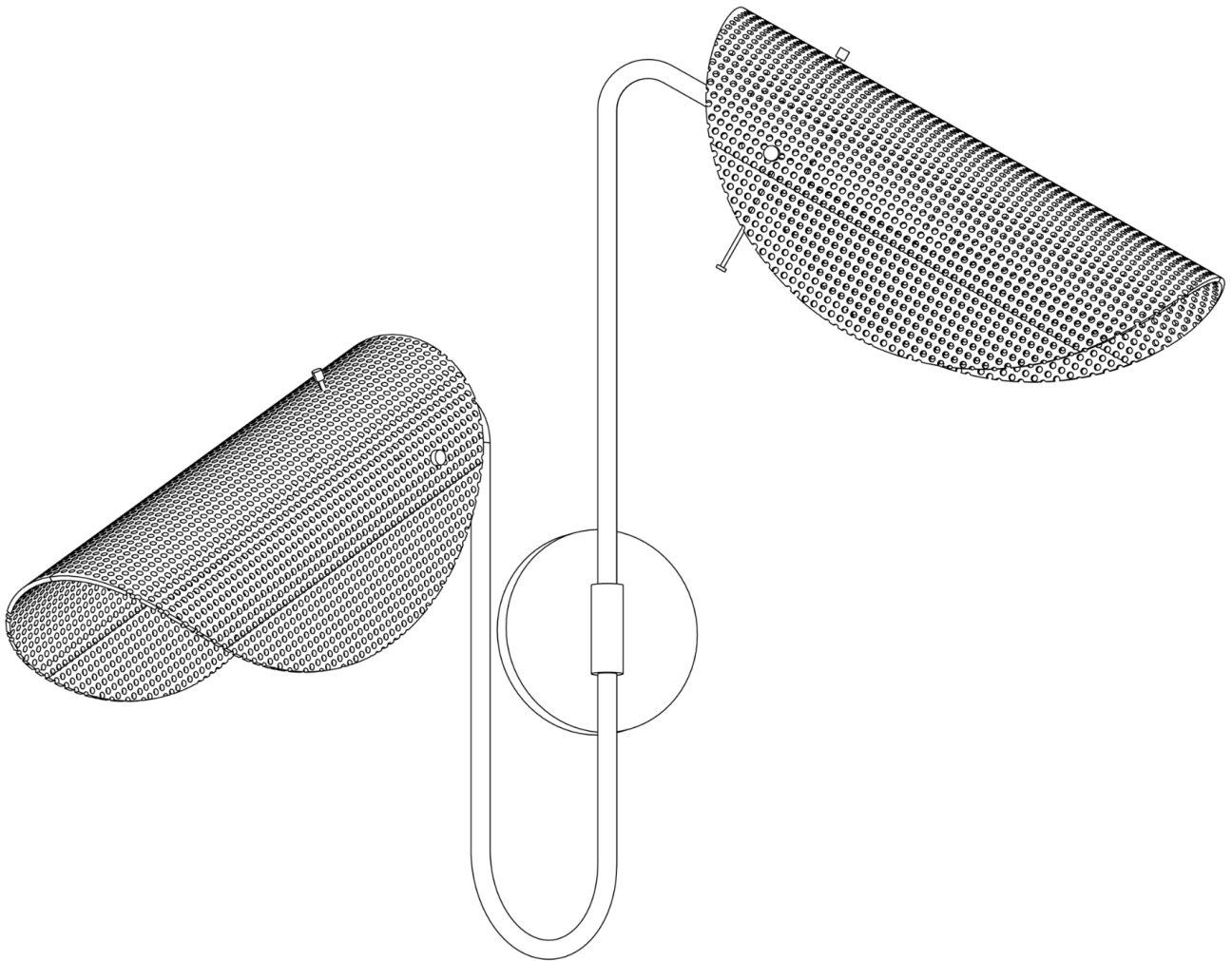
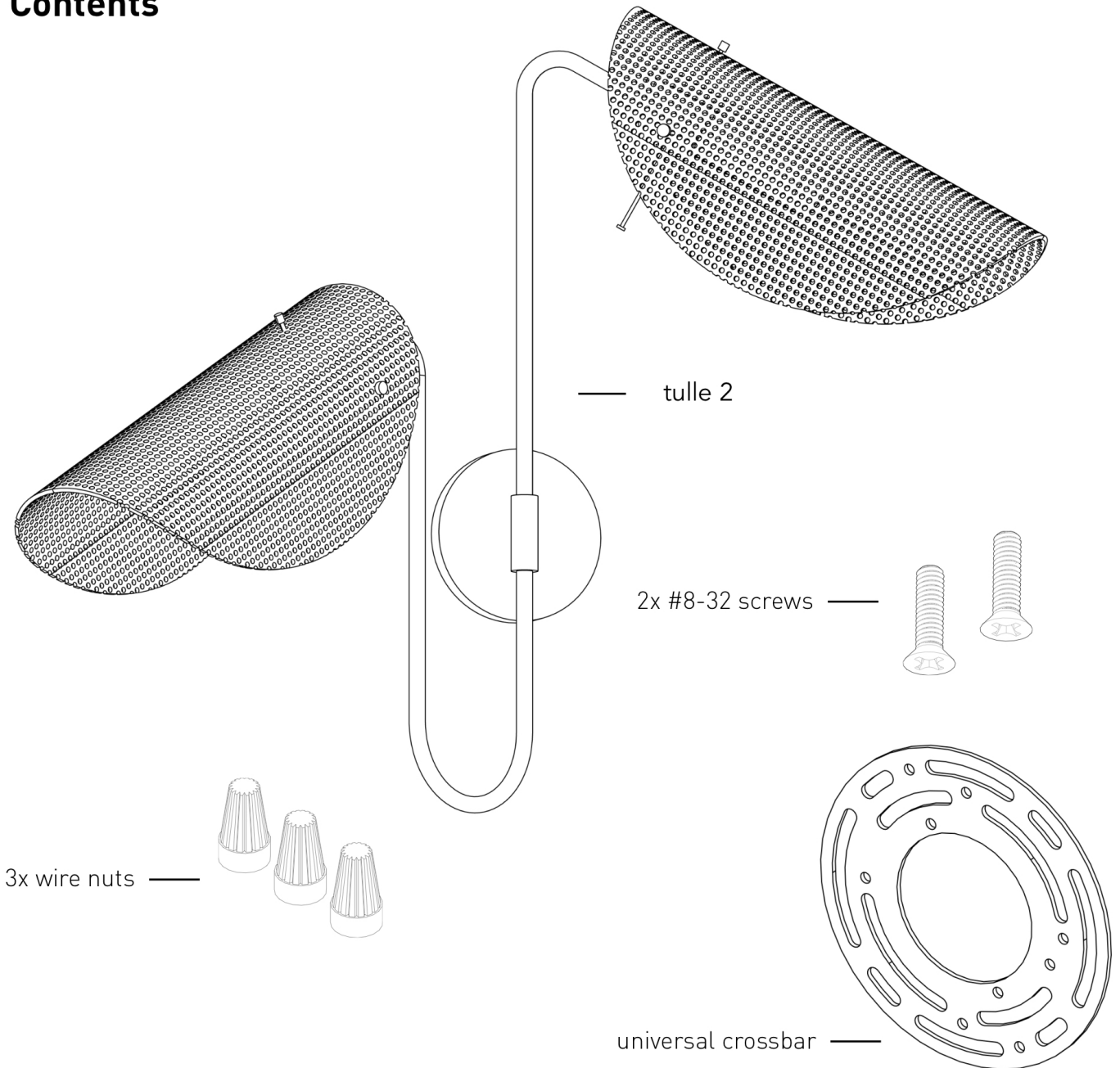


Tulle 2 Wall Lamp

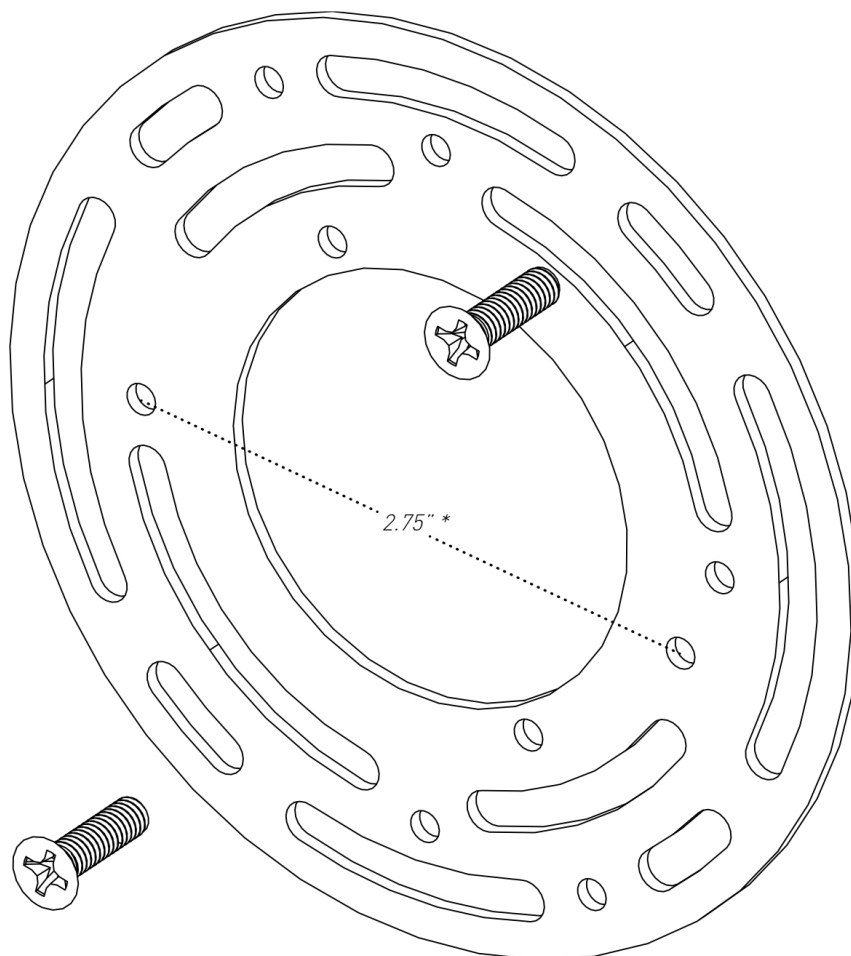


T9 tube shaped
bulbs not included

Contents



1. Mount the universal crossbar directly to the junction box using x2 of the provided #8-32 screws.
** The tapped holes that are a 2.75" spacing must end up horizontal to each other in order to mount the fixture in the next step.*



2. Hold the fixture backplate close to the wall and connect the fixture ground wire to the wall ground wire.
3. Connect the +/- fixture wires to the +/- wall wires.
4. Mount the fixture backplate to the 2.75" spaced tapped holes in the universal crossbar using x2 of the provided #8-32 screws.

