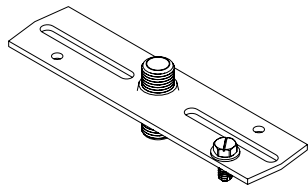
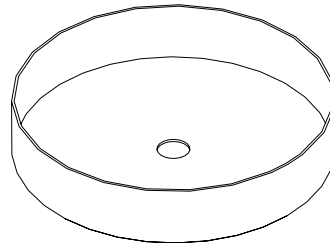


Ceiling Fixtures / Contents

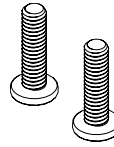


crossbar



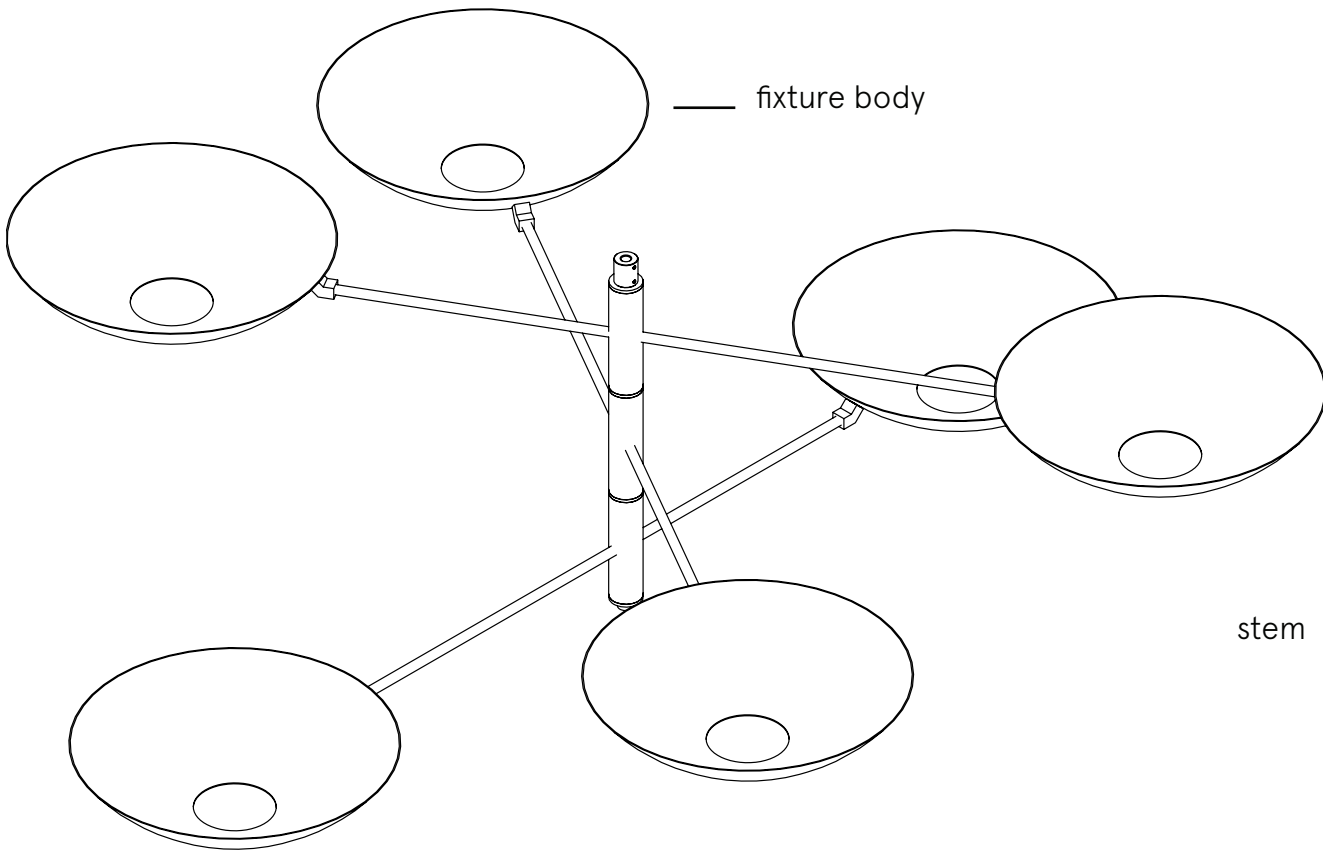
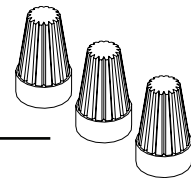
canopy

2x #8-32 screws



slip ring

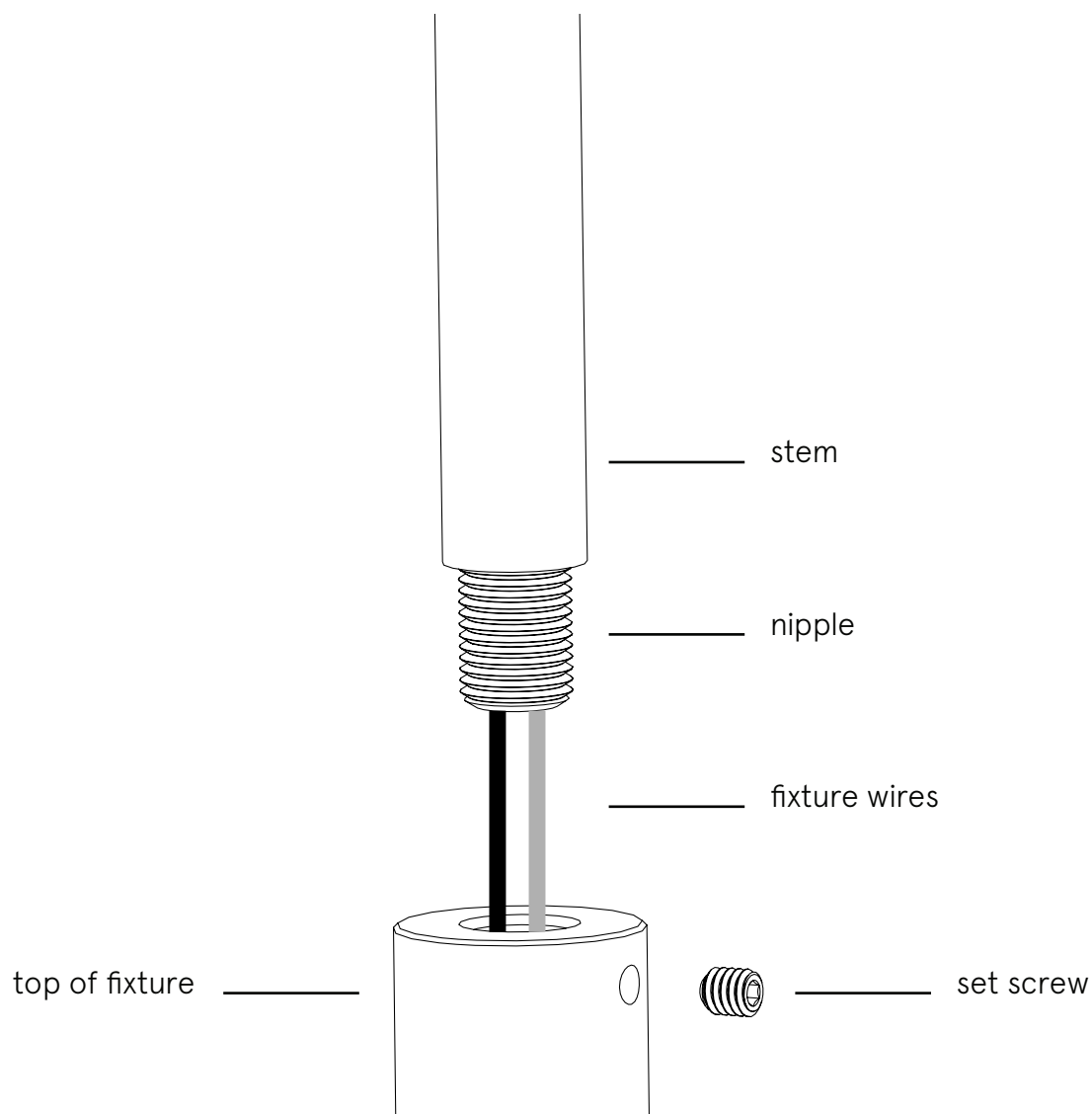
3x wire nuts



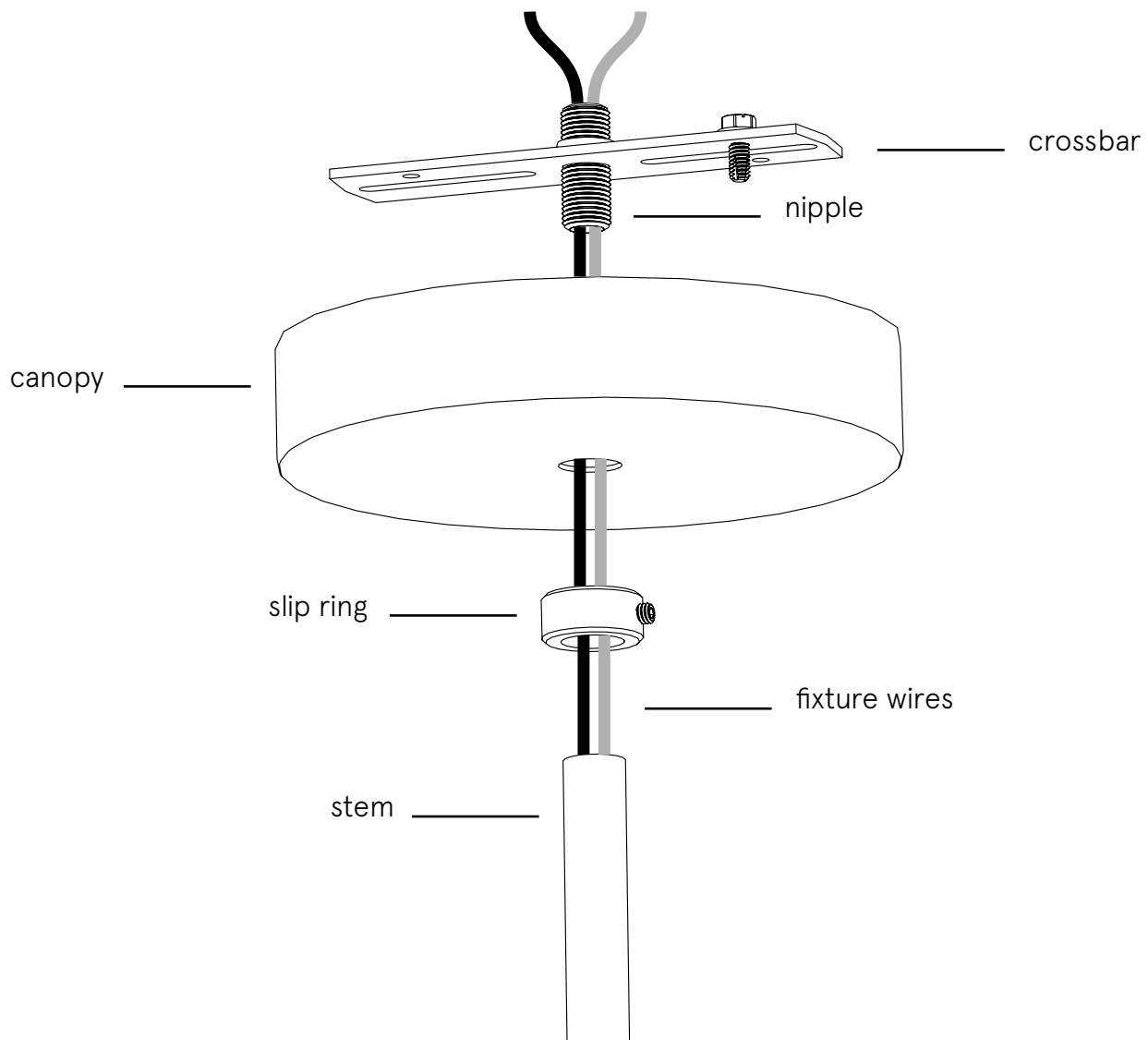
fixture body

stem

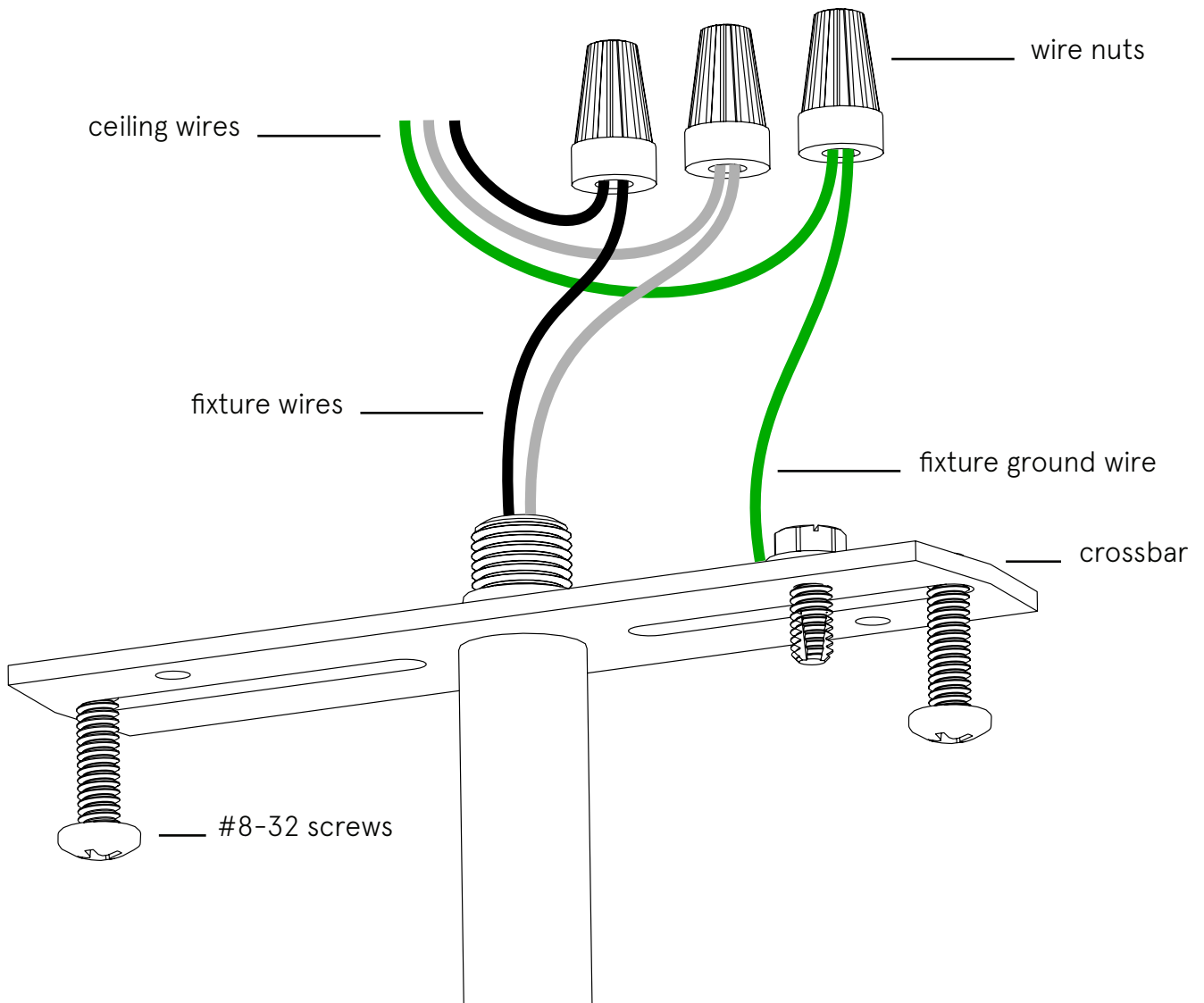
1. Feed the fixture wires through the stem-nipple assembly as shown. Thread the stem-nipple assembly into the top of fixture until the stem is flush. Tighten the set screw from the side.



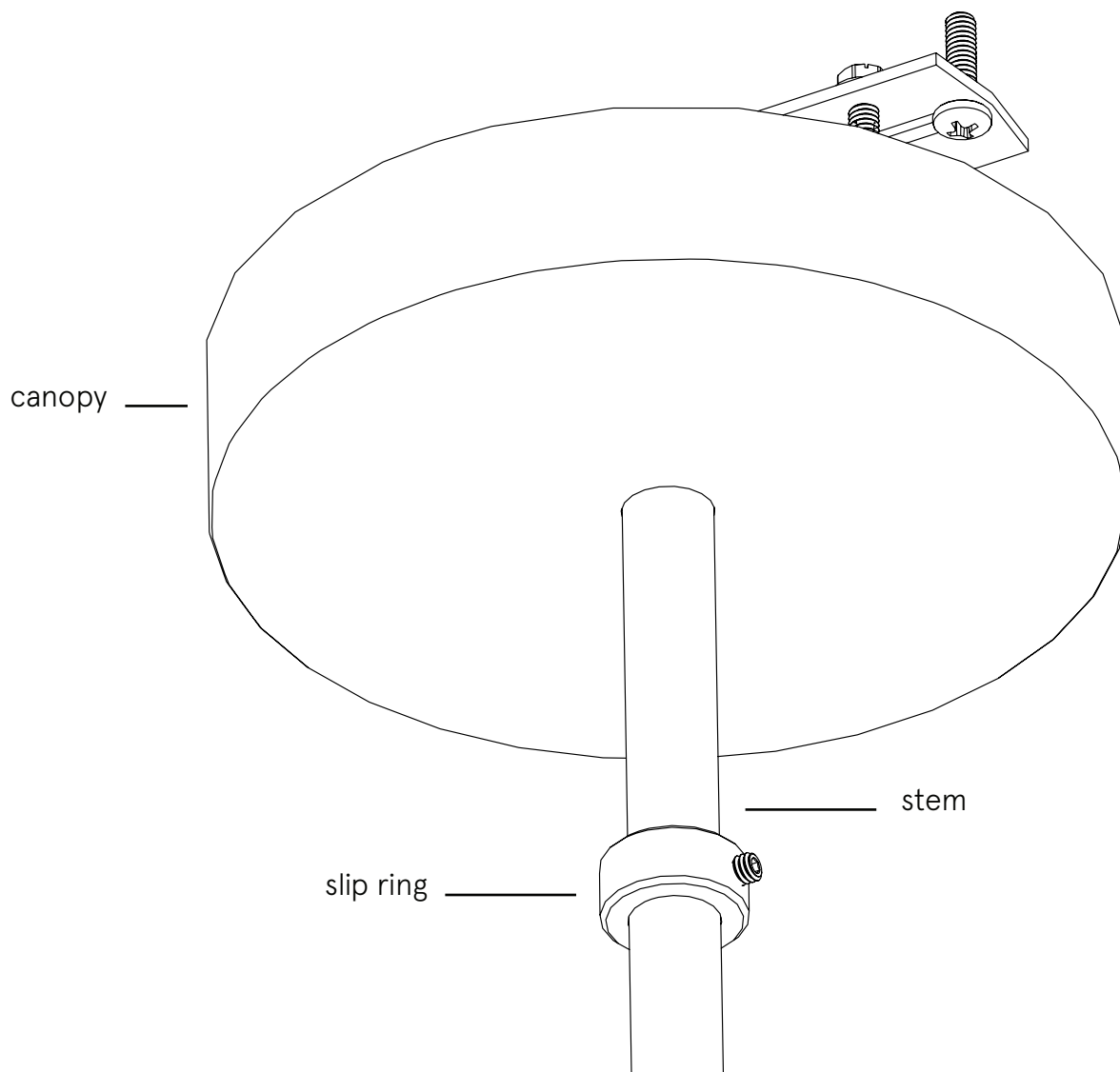
2. Slide the slip ring and canopy down over the stem, resting them on the top of the fixture below. Make sure the slip ring set screw is slightly loosened to not scratch the stem as it is lowered.
3. Feed the fixture wires through the crossbar-nipple assembly. Thread the crossbar-nipple assembly into the top of the stem until the stem and crossbar are flush.



4. Hold the crossbar close to the ceiling and connect the fixture ground wire to the ceiling ground wire.
5. Mount the crossbar to the junction box using the x2 provided #8-32 screws.
6. Connect the +/- fixture wires to the +/- ceiling wires.



7. Raise the canopy and slip ring up until the canopy is flush to the ceiling. Tighten the slip ring set screw to lock the slip ring and canopy in place.



8. For glass globe installation (if applicable), Insert G9 bi pin LED bulbs into the sockets and then install the glass globes by threading them onto the G9 threaded sockets.

