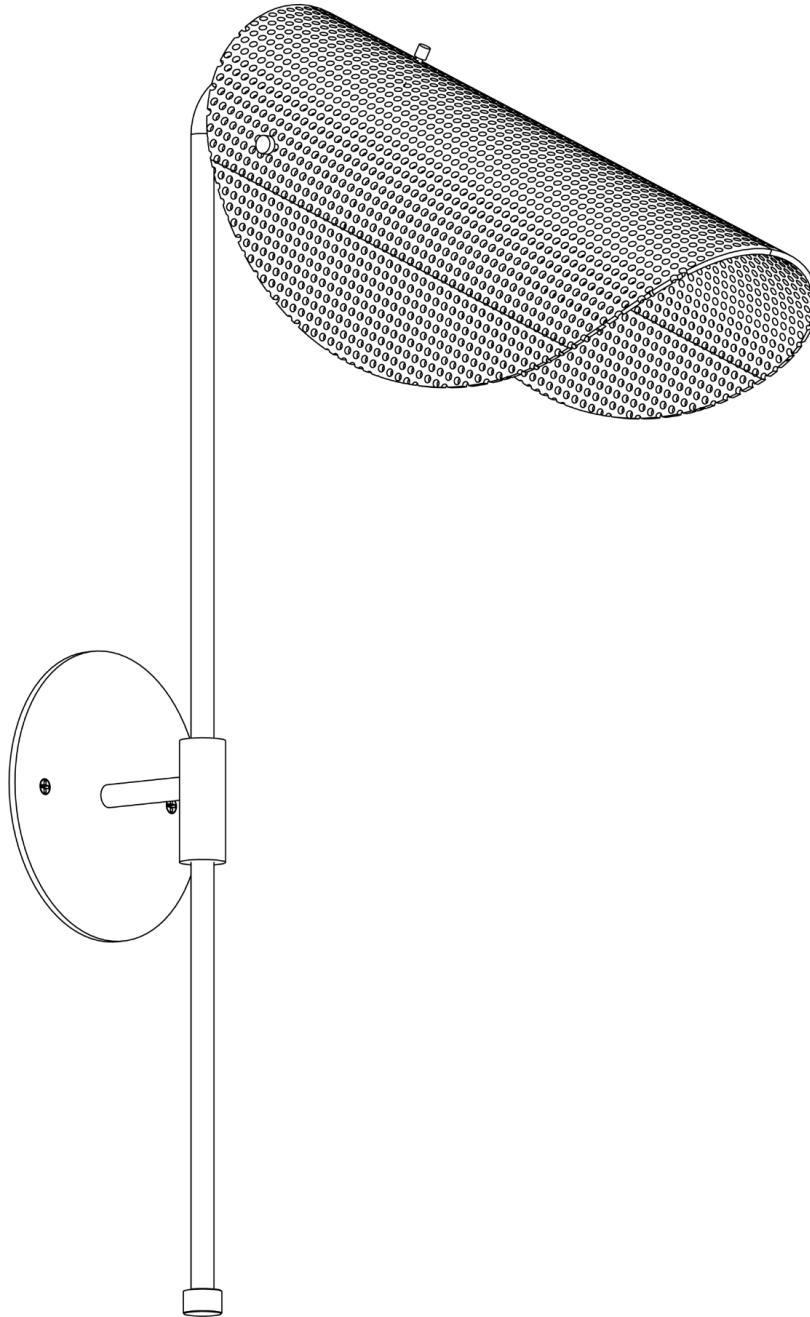
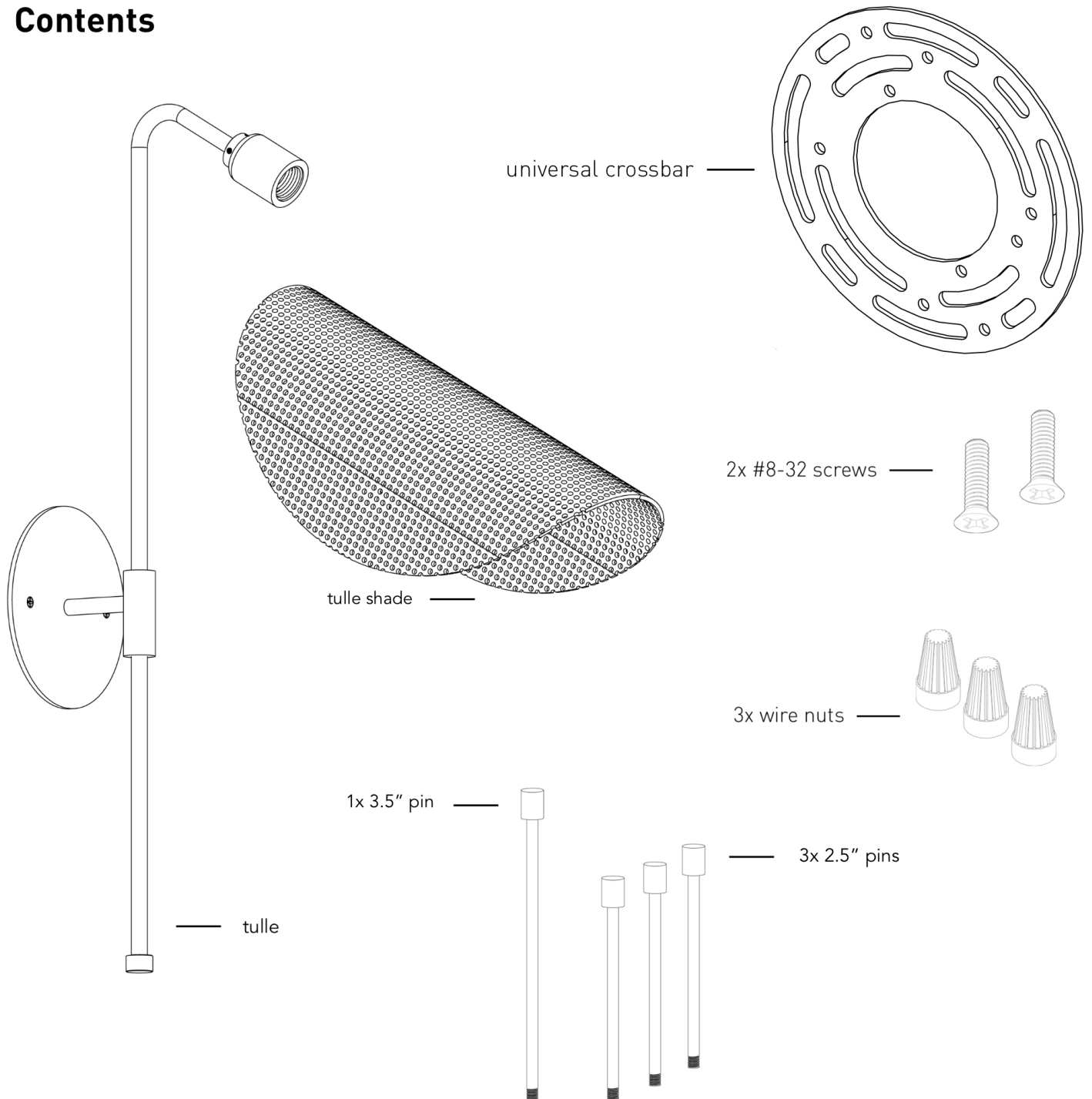


Tulle Wall Lamp



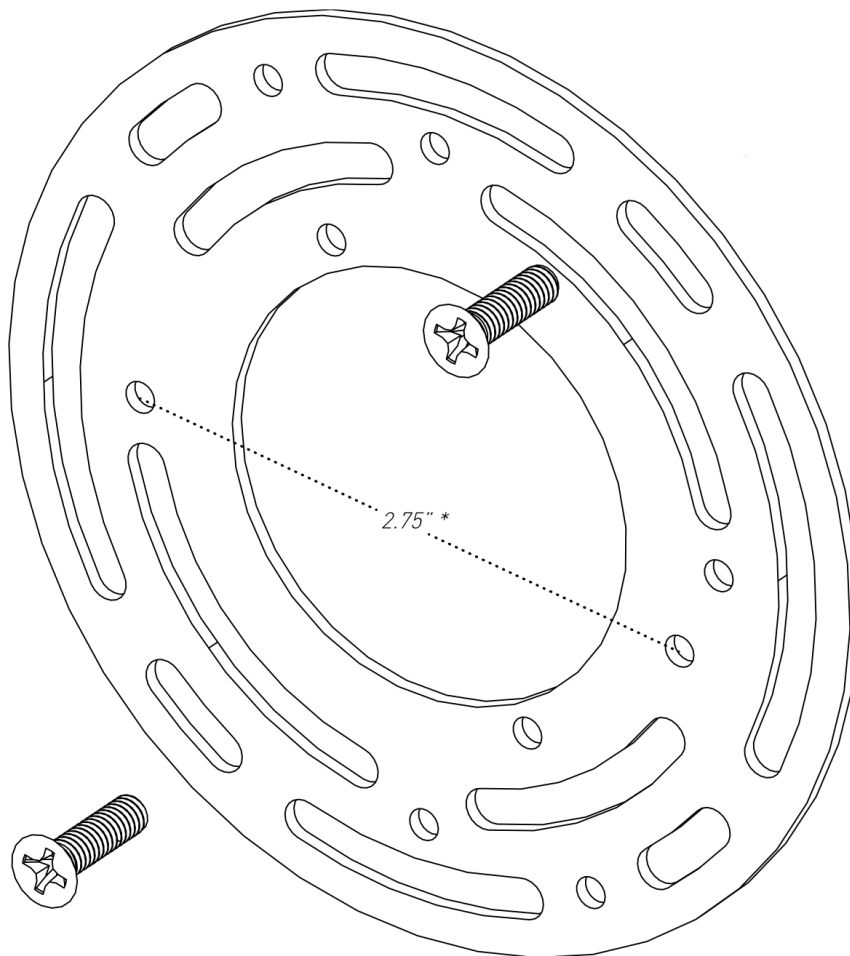
T9 tube shaped
bulbs not included

Contents

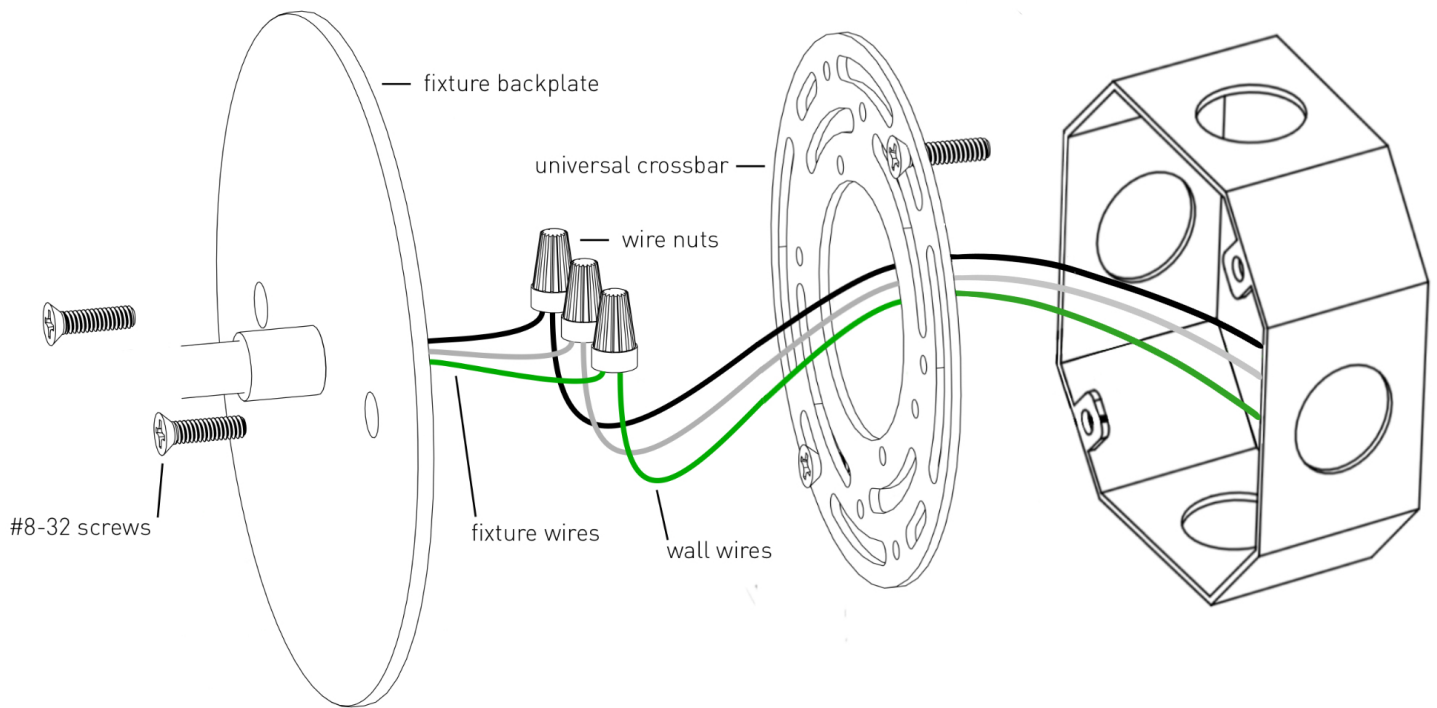


1. Mount the universal crossbar directly to the junction box using x2 of the provided #8-32 screws.

** The tapped holes that are a 2.75" spacing must end up horizontal to each other in order to mount the fixture in the next step.*



2. Hold the fixture backplate close to the wall and connect the fixture ground wire to the wall ground wire.
3. Connect the +/- fixture wires to the +/- wall wires.
4. Mount the fixture backplate to the 2.75" spaced tapped holes in the universal crossbar using x2 of the provided #8-32 screws.



5. Connect the tulle shade to the tulle body using the 3x 2.5 inch pins.
6. Screw the 3x 2.5 inch pins through the tulle shade and into the spider washer
7. Screw the 3.5 inch pin into the bottom of the spider washer

