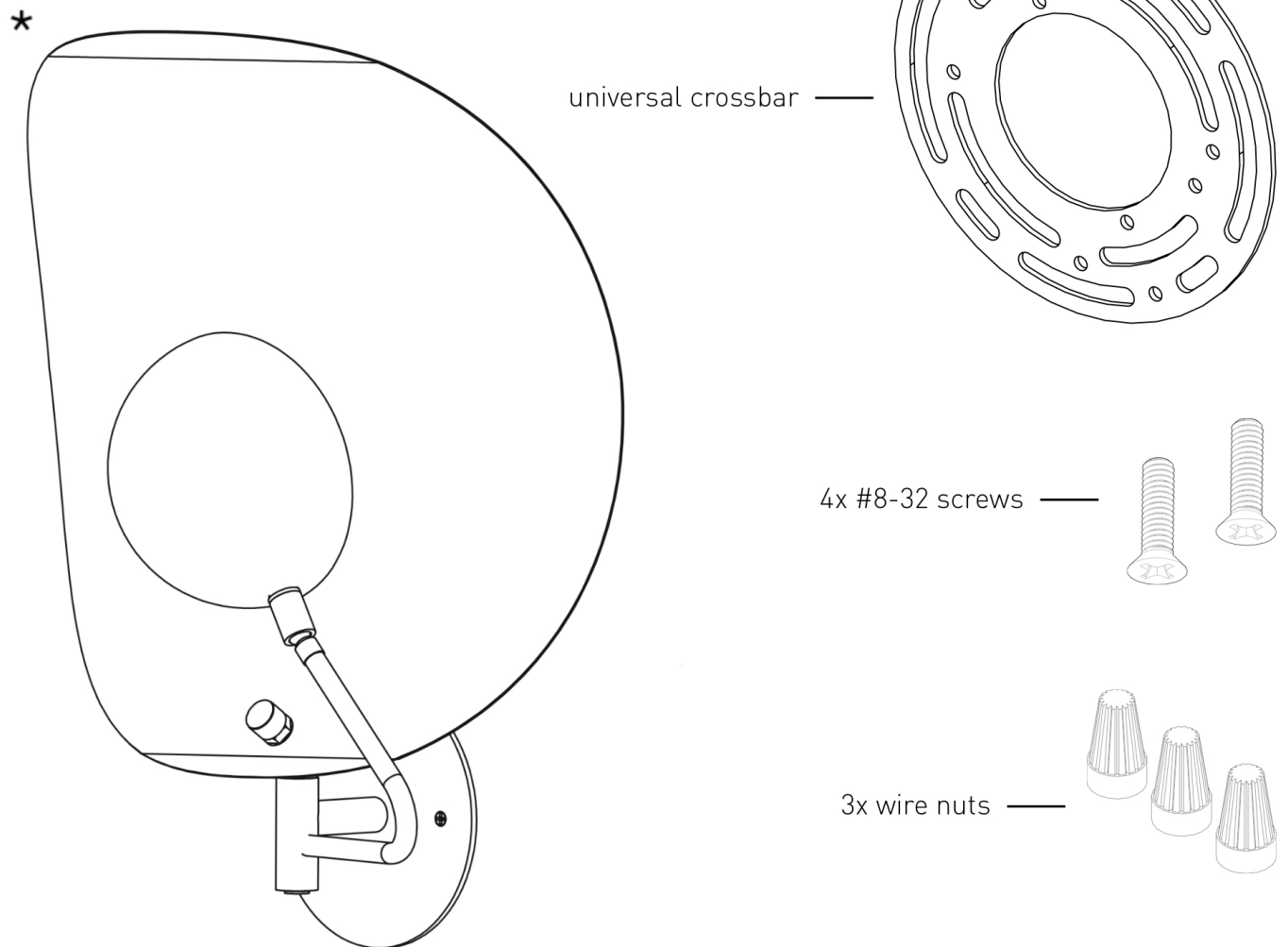
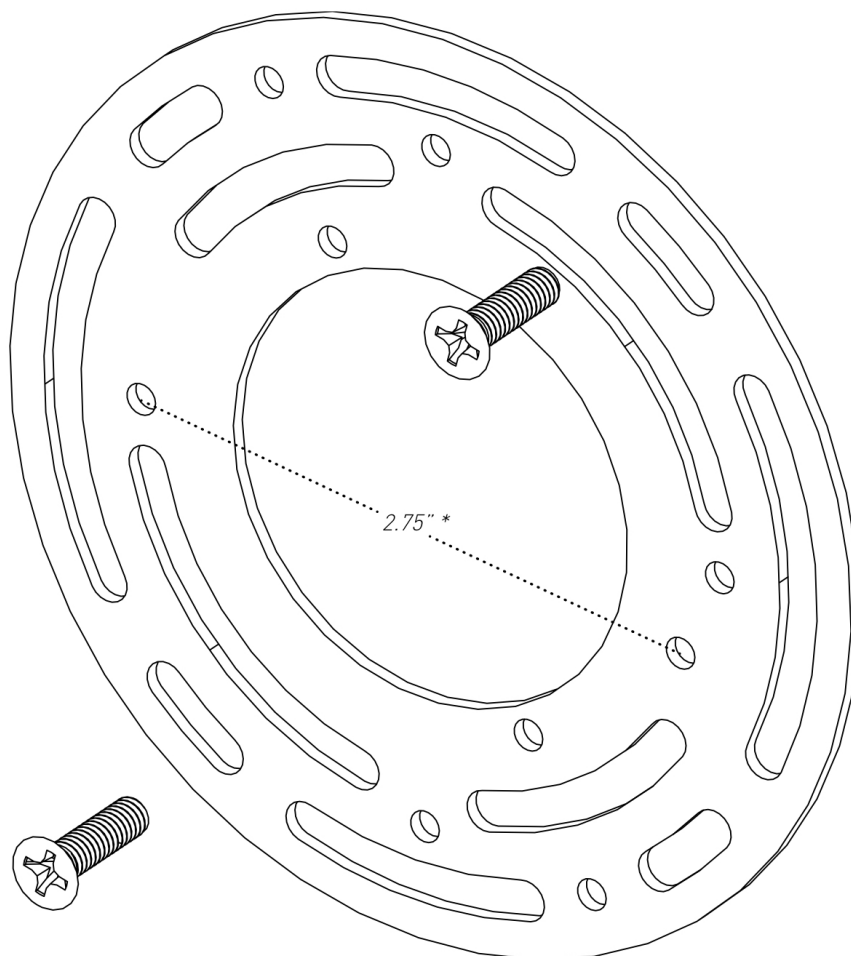


## Standard Installation Instructions (Wall Sconces)



\*Please note that the Jenny fixture is used here as an example only. Our Standard Installation Instructions can be used for multiple fixtures that share the same backplates. For a full list of such fixtures, please refer to the Installation Instructions page on our website.

1. Mount the universal crossbar directly to the junction box using x2 of the provided #8-32 screws.  
*\* The tapped holes that are a 2.75" spacing must end up horizontal to each other in order to mount the fixture in the next step.*



2. Hold the fixture backplate close to the wall and connect the fixture ground wire to the wall ground wire.
3. Connect the +/- fixture wires to the +/- wall wires.
4. Mount the fixture backplate to the 2.75" spaced tapped holes in the universal crossbar using x2 of the provided #8-32 screws.

