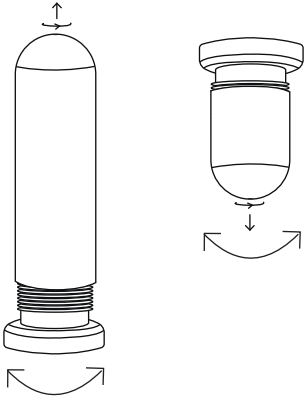
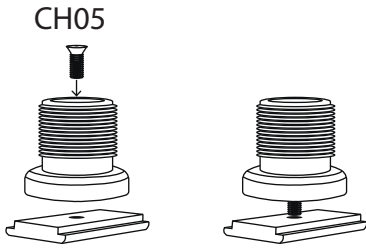


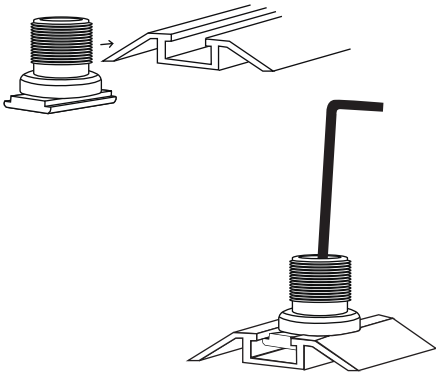
Top Fixing    Bottom Fixing



1.        Unscrew top fixing. Throw the thread away.

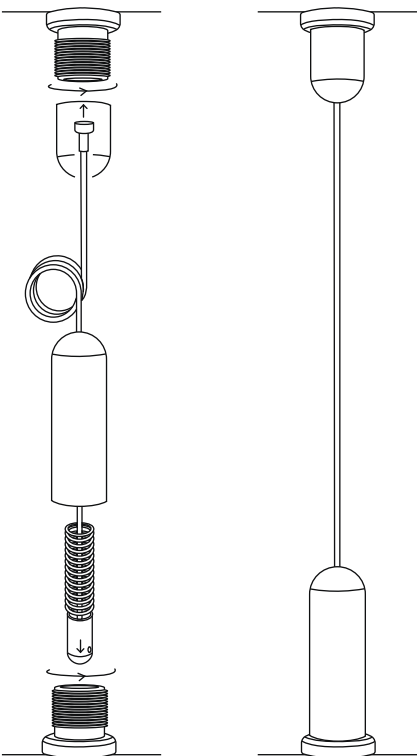


2.        Take CH05 white Plastic Cable Isolator and screw on to the square toggle using the shorter screw out of bag. Toggle can be fitted either way up.



3.        Slide the toggle on to the top channel from the side.

4.        When the toggle is in the correct place tighten with allen key.



5.        Repeat process with the bottom channel.

6.        Once the fixings are secure, screw the top and bottom fixings onto the toggles until tight.