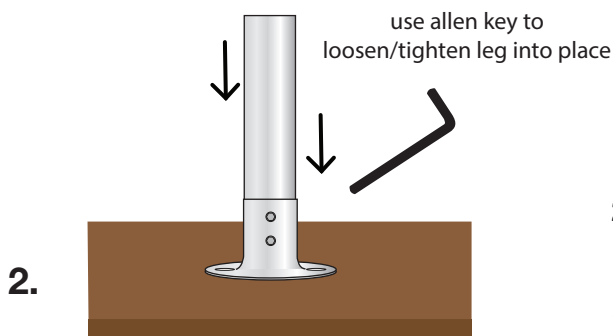
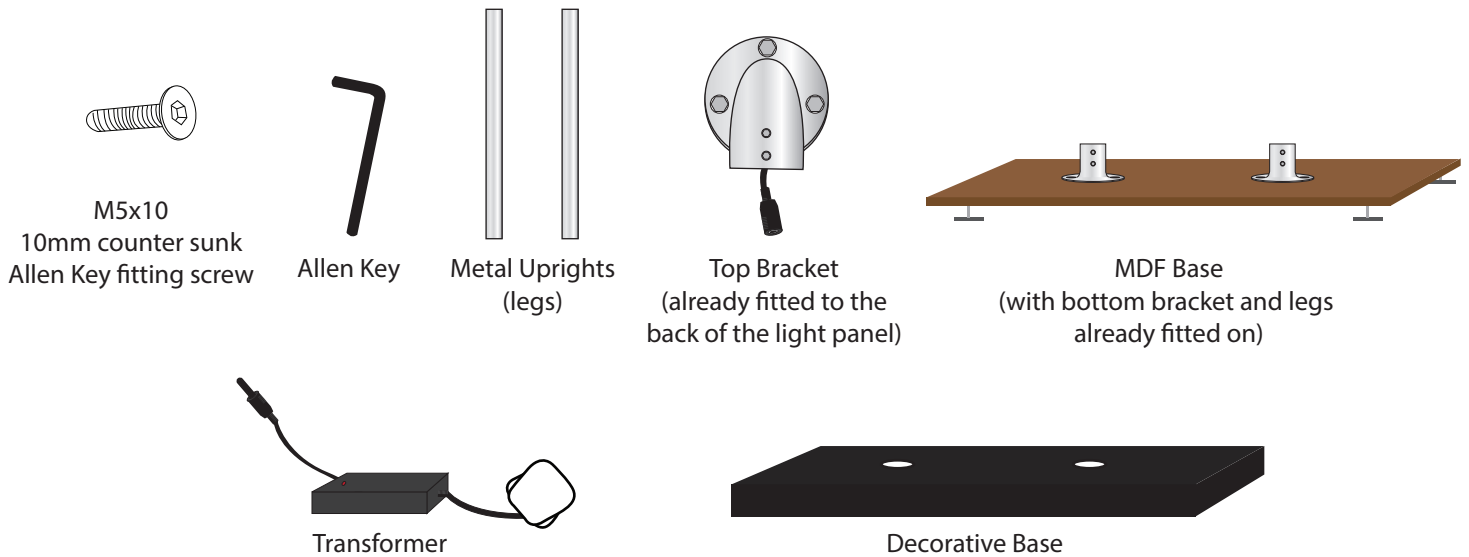


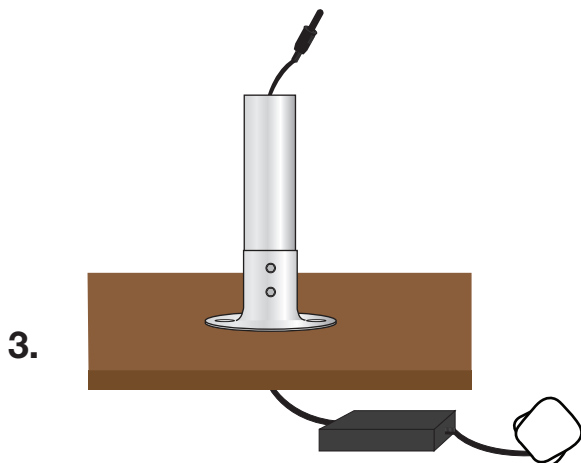
# Installing a Freestanding Light Panel

## Components:

**PLEASE CHECK YOU HAVE ALL THE SMALL COMPONENTS FROM THE PACKING LIST BEFORE YOU START.**

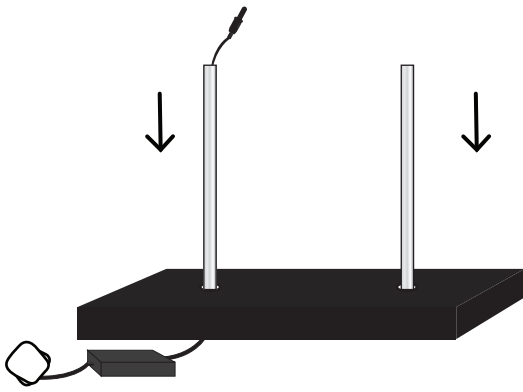


**2.** Insert an upright leg into the Bottom Bracket. You may need to loosen the allen screws in the Bottom Bracket to allow the leg to pass through. Once the leg is in place tighten the allen screws.



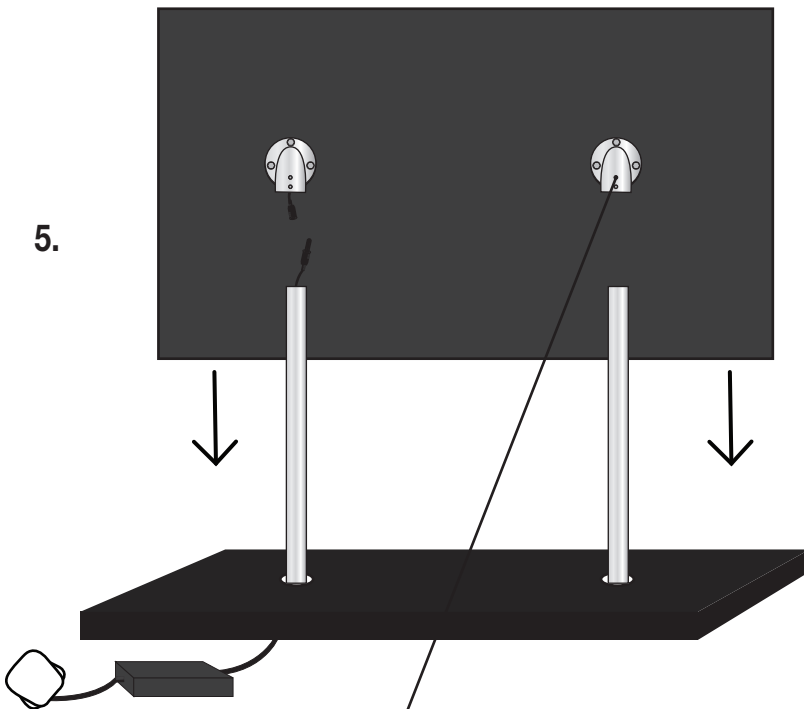
**3.** Thread the transformer cable up one of the legs.

4.



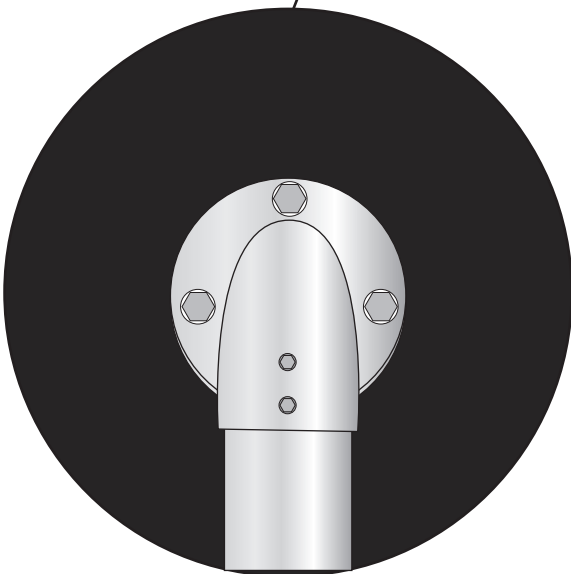
4. Place the decorative base over the legs.

5.



5. Carefully lift the Panel onto the upright legs, connect the male and female parts of the transformer together. Then slot the legs into the Top Brackets.

6.



6. Once in place tighten the Allen Screws using an Allan Key.

7. Connect the transformer to the mains power.