



WOOD PET STEPS

USER GUIDE

SKU# APSTPS

Thank you for purchasing the Arf Pets wood pet steps. This User Guide is intended to provide you with guidelines to ensure that operation of this product is safe and does not pose risk to the user. Any use that does not conform to the guidelines described in this User Guide may void the limited warranty.

Please read all directions before using the product and retain this guide for reference. This product is intended for household use only. This product is covered by a limited one-year warranty. Coverage is subject to limits and exclusions. See warranty for details.

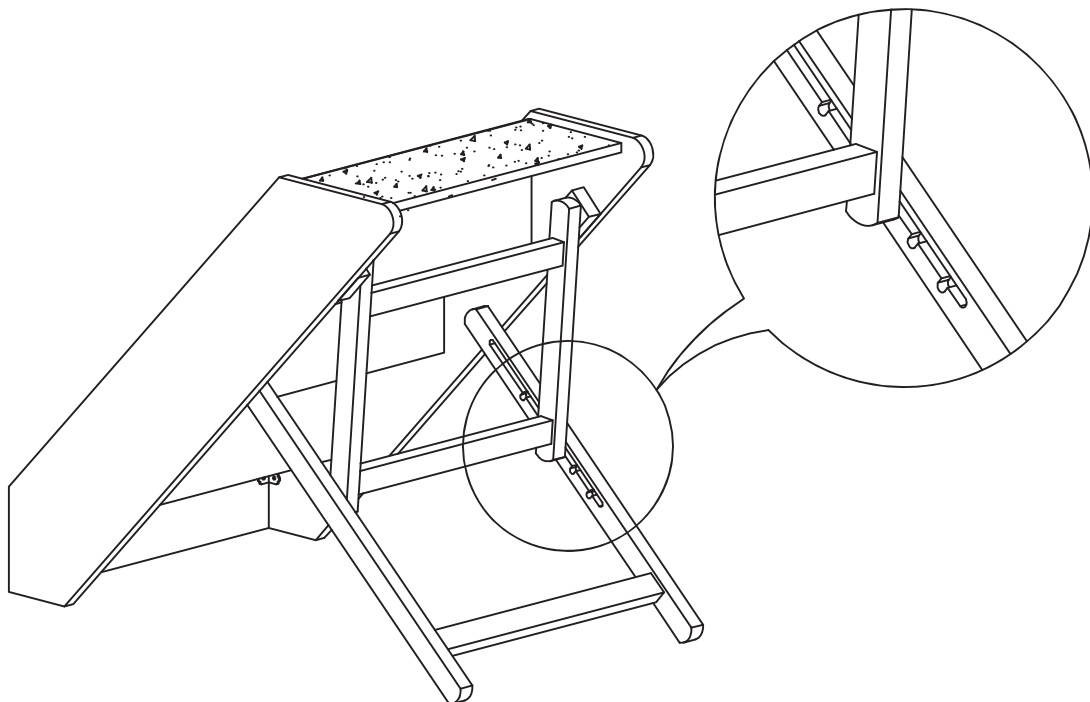
Use the Arf Pets wood pet steps to help your pet get a secure boost onto beds, sofas, or other furniture. The sturdy wooden design supports pets up to 200 lbs. while the carpeted treads provide traction for your pet's feet.

Safety Precautions

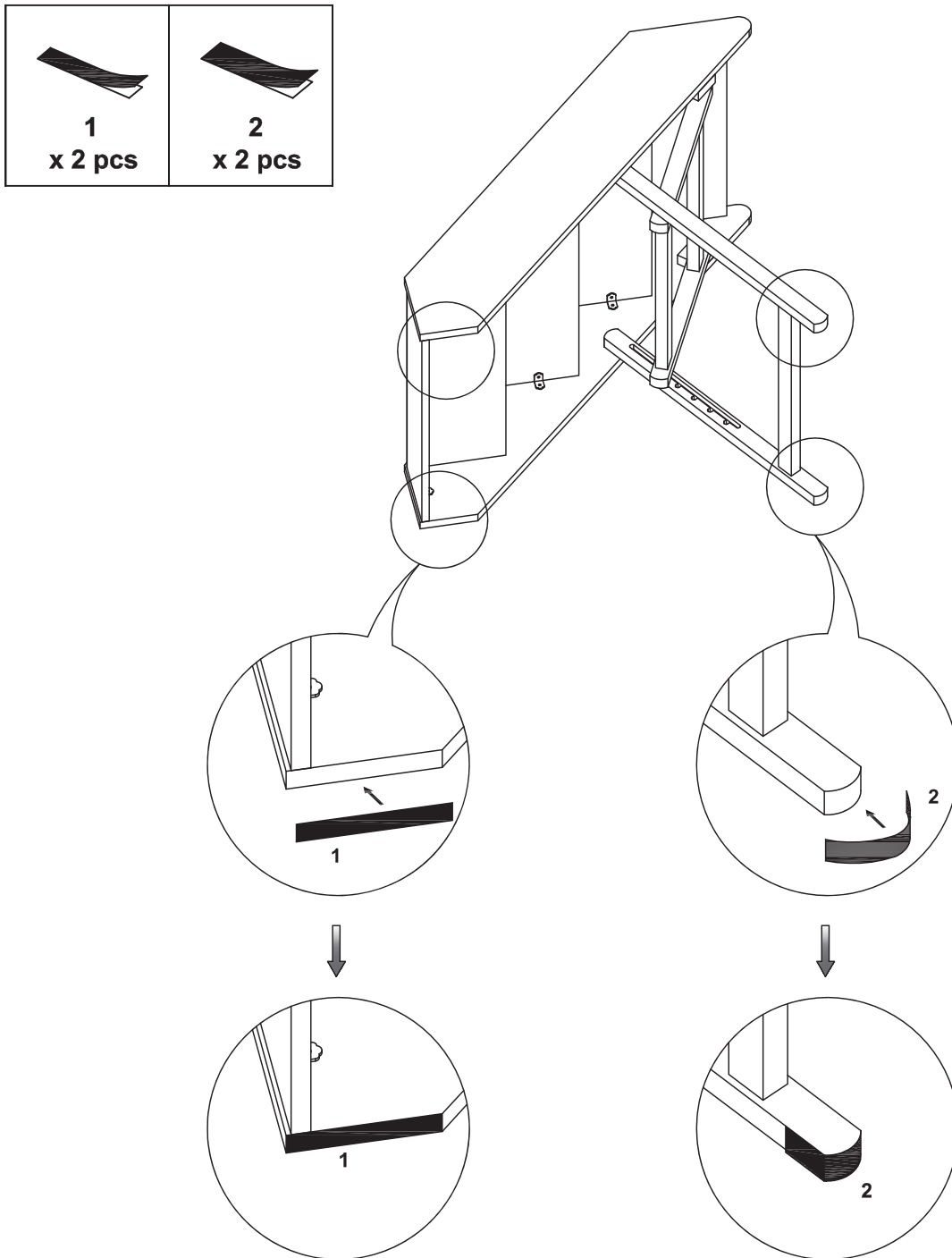
This product is intended for pet use only. Do not sit or stand on the pet steps.

Setup

- Adjust the steps to the desired height using the built-in pegs.



- Peel off the adhesive backs of the floor protector strips and apply to the bottom of the staircase as shown.



Care and Maintenance

- When not in use, fold the steps and store in a safe, dry place.
- To clean the carpeted steps, vacuum with a bristle brush attachment.

Customer Service:

Email: support@arfpets.com

Phone: 877-711-6886

Distributed by C&A Marketing, Inc.
114 Tived Lane East, Edison, NJ 08837 USA
C&A Marketing UK LTD 167 Hermitage Road
Crusader Industrial Estate
London N4 1LZ, United Kingdom

Made in China
ARF Pets is a trademark of C&A IP Holdings, LLC
©2016 All rights reserved

