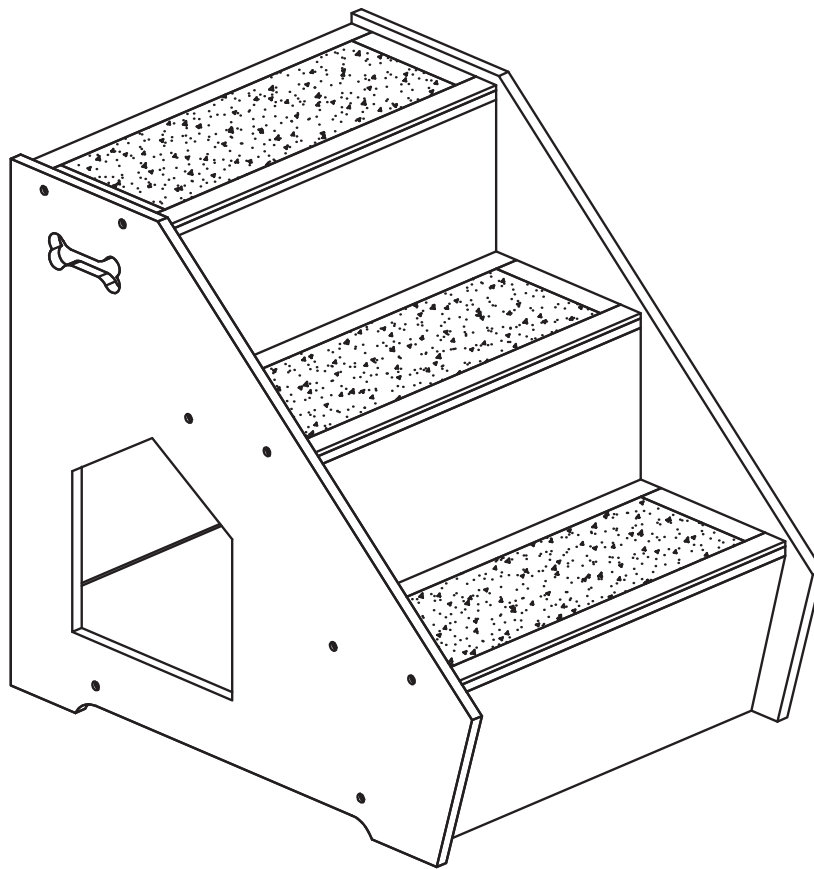




# PET STEPS WITH BUILT-IN HOUSE

## USER GUIDE

APSTPSHS



Thank you for purchasing the ARF PETS Pet Steps with Built-In House. This User Guide is intended to provide you with guidelines to ensure that operation of this product is safe and does not pose risk to the user. Any use that does not conform to the guidelines described in this User Guide may void the limited warranty.

Please read all directions before using the product and retain this guide for reference. This product is intended for household use only. This product is covered by a limited one-year warranty. Coverage is subject to limits and exclusions. See warranty for details.

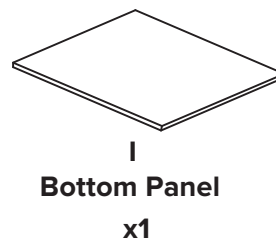
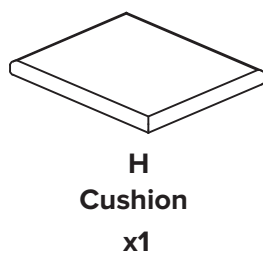
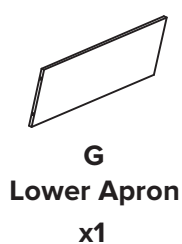
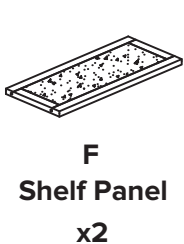
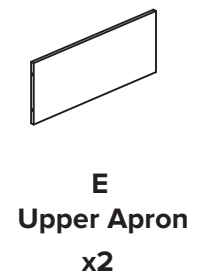
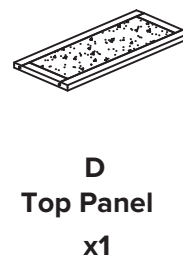
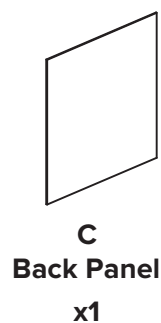
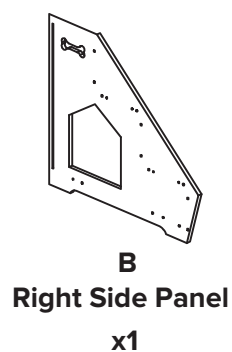
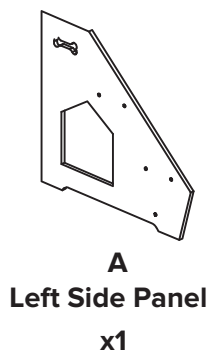
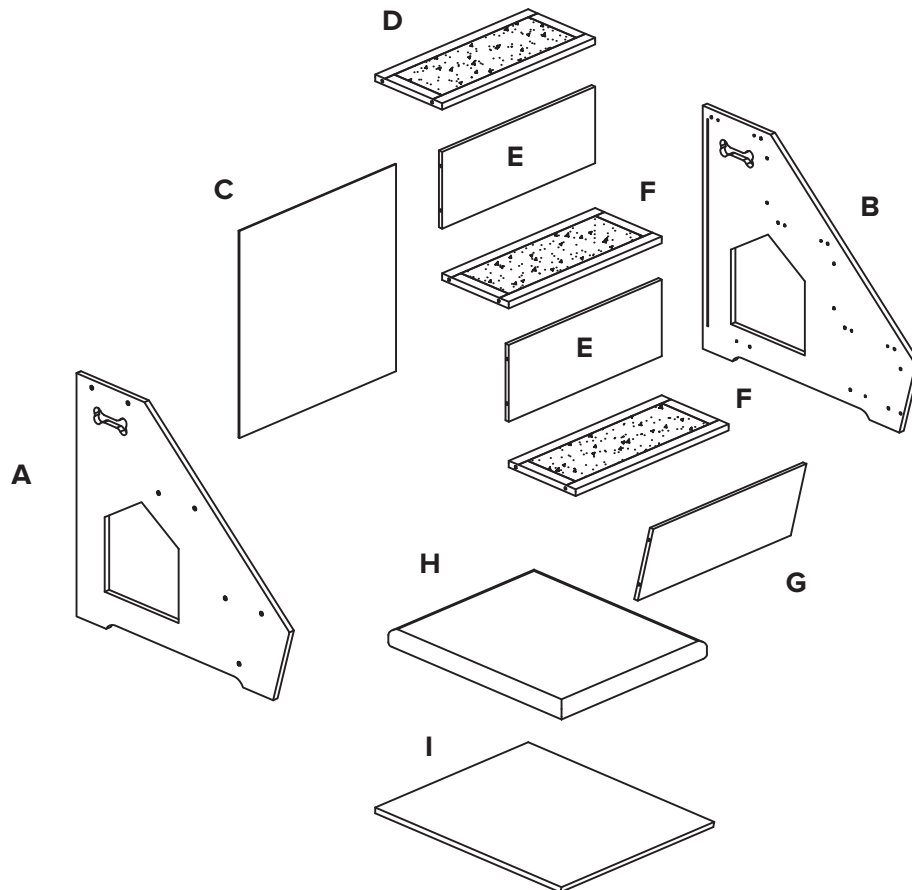
### Features

- 110 lbs. maximum weight capacity
- Carpeted steps
- Included mat (washable on gentle cycle)
- Bone-shaped carrying handles

## Safety Precautions

- Please read all instructions carefully before starting assembly.
- This product should be assembled by an adult only.
- Do not sit or stand on this product. It is intended for pets only. **The maximum weight capacity of this unit is 110 lbs.**
- Always keep pet beds and pet furniture away from combustible materials, chemicals, heat sources, cleaning products, plants, tools, electrical appliances or equipment, and objects that your pet may chew or ingest.
- Always use pet-safe cleaning products to clean this product.
- Do not block the opening of the cabinet. Always allow for adequate air circulation inside the enclosure while your pet is in it.
- Do not place objects on the steps.

## Parts



# Assembly Instructions

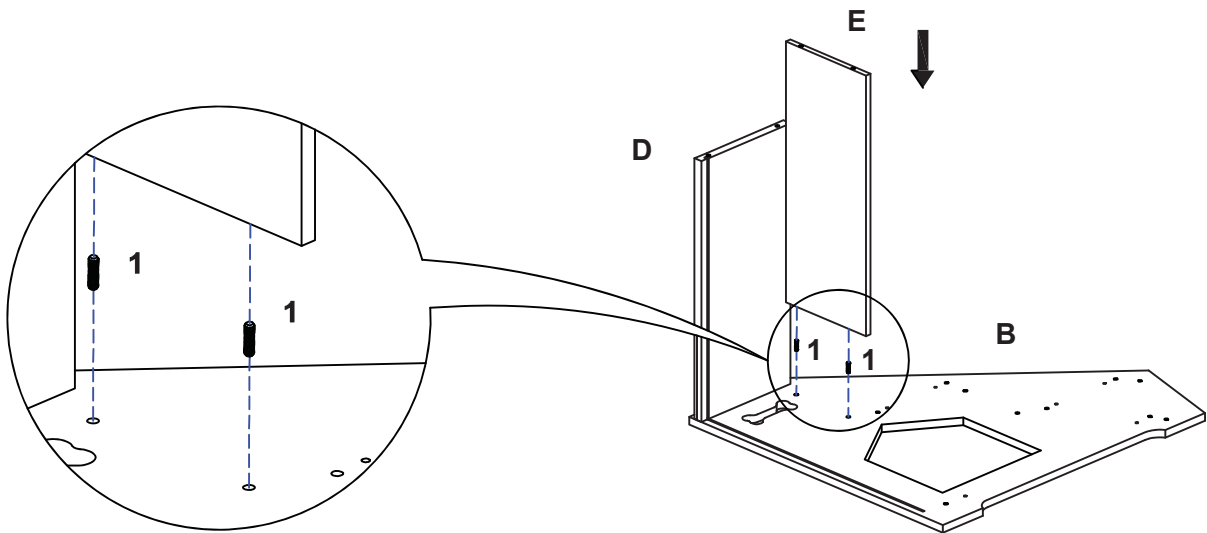
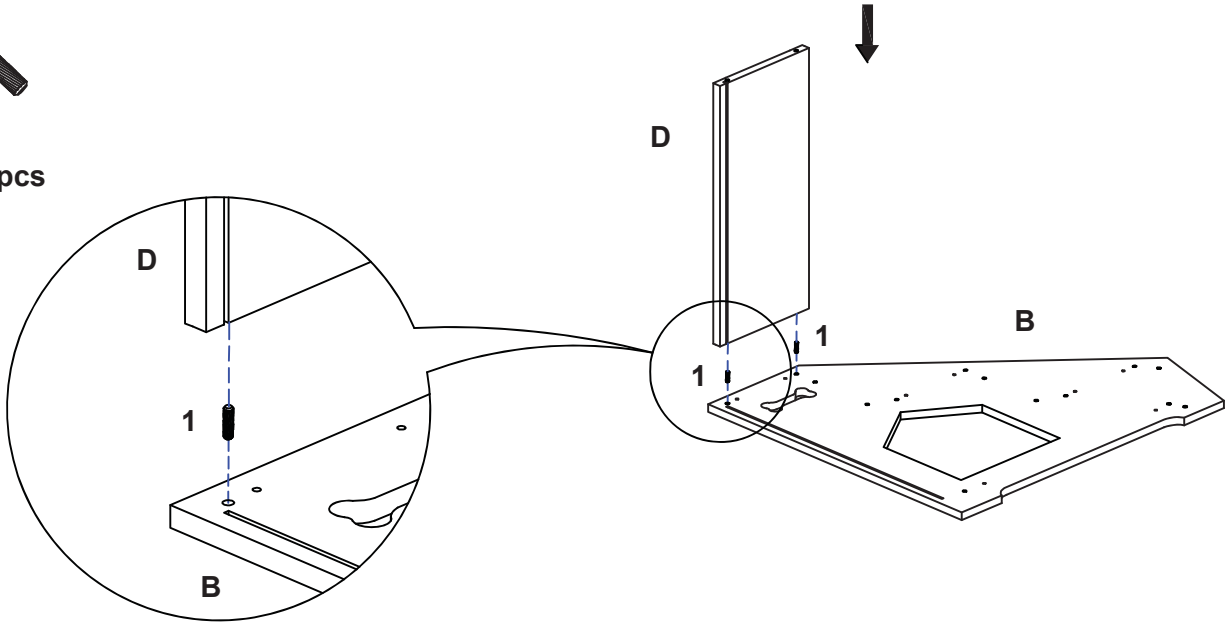
DO NOT use power tools to assemble this product. Please read all assembly instructions carefully before beginning assembly of this product.

Assemble the product as shown in the illustrations, using the included pegs and screws. Use the included stickers (16) to cover screw holes.

1



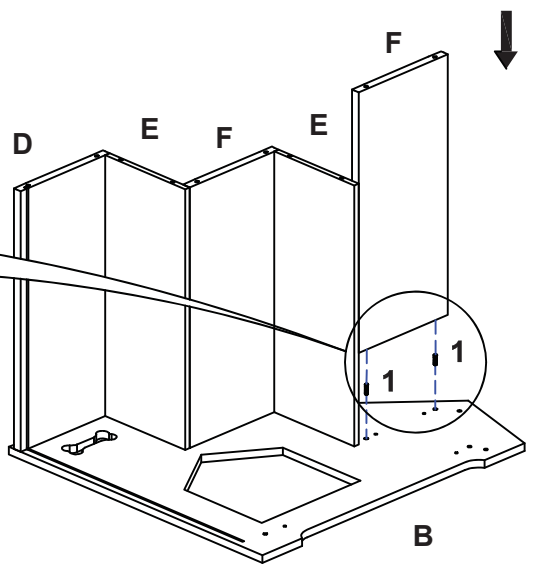
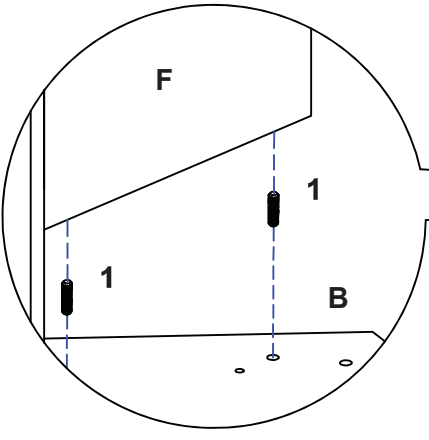
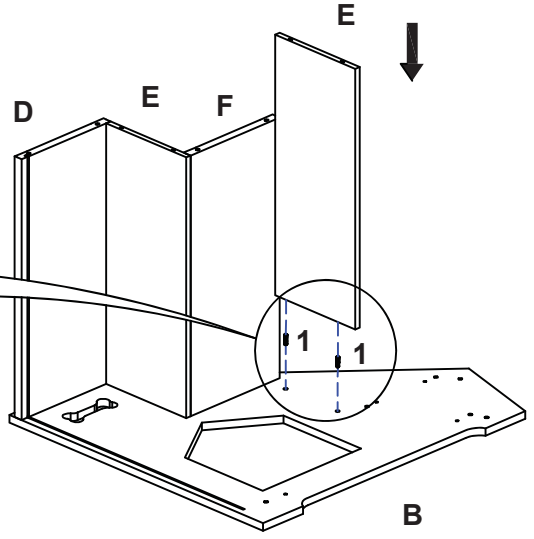
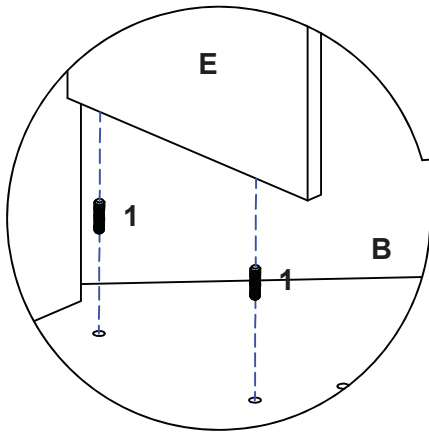
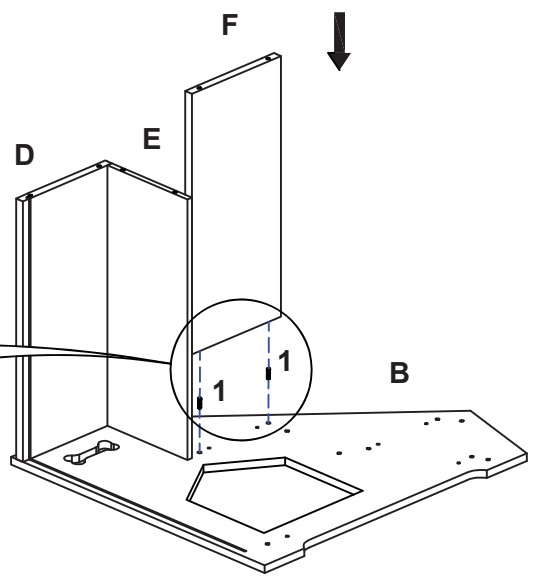
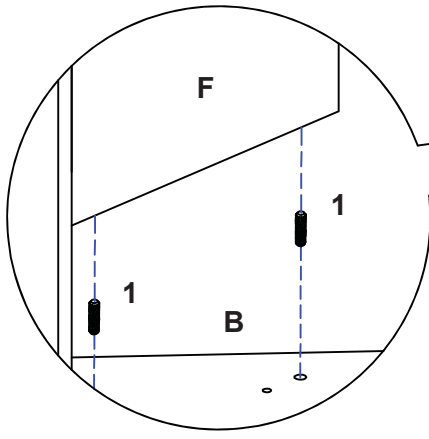
1  
x 4 pcs




2

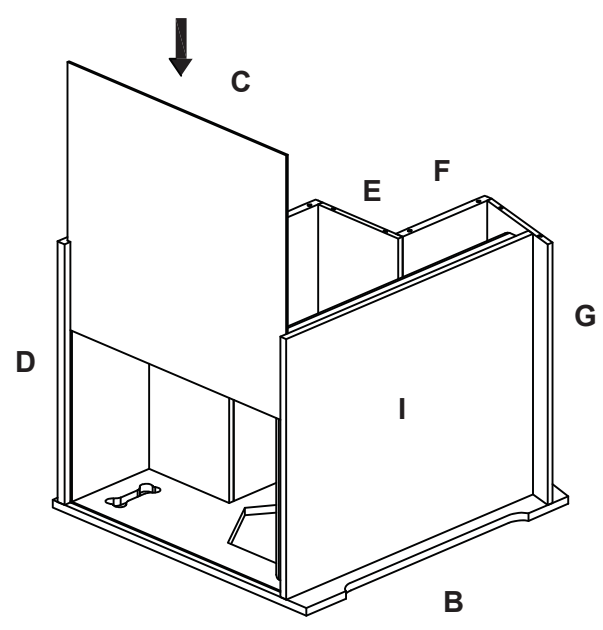
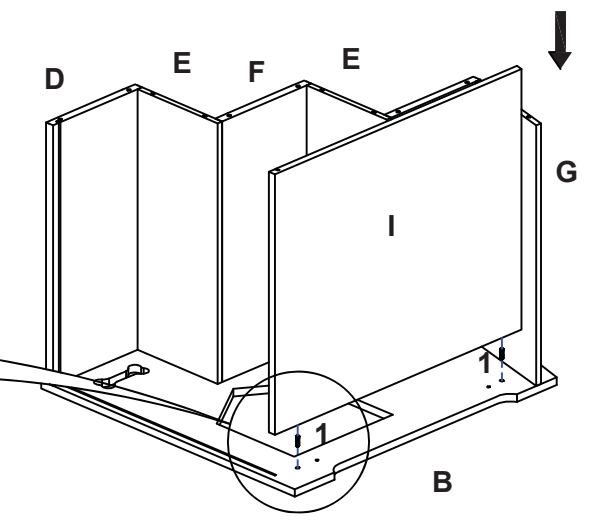
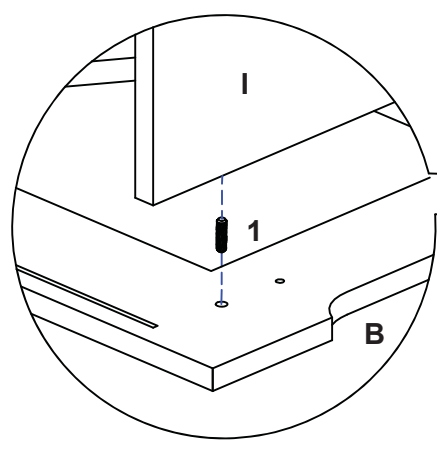
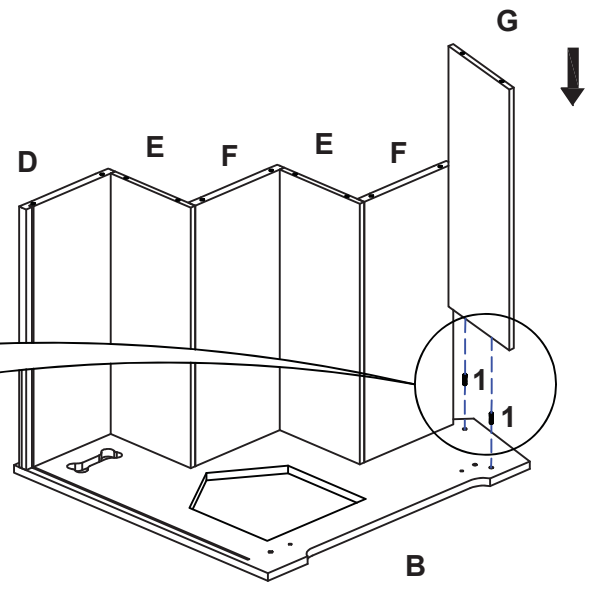
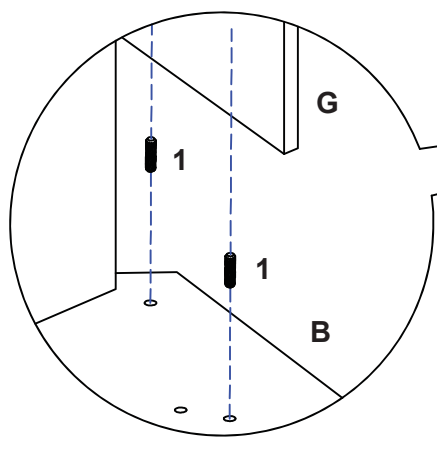


1  
x 6 pcs



3

  
1  
x 4 pcs



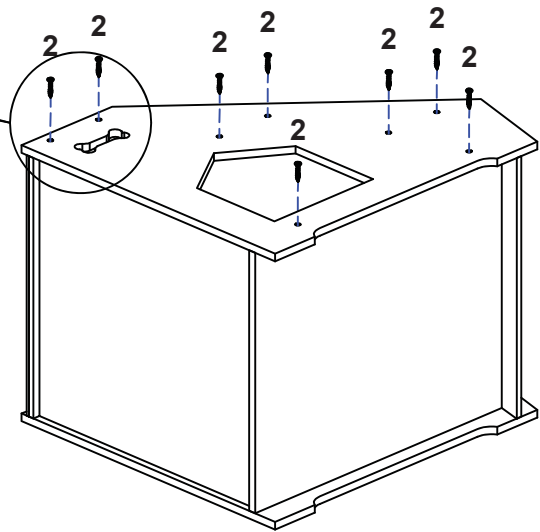
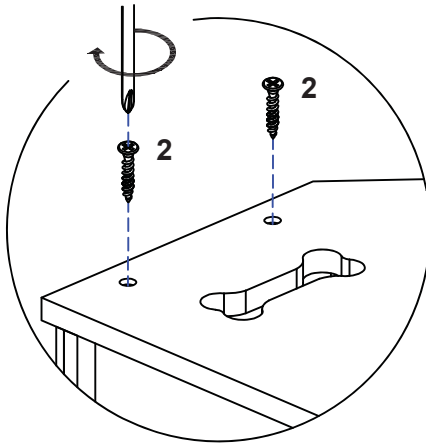
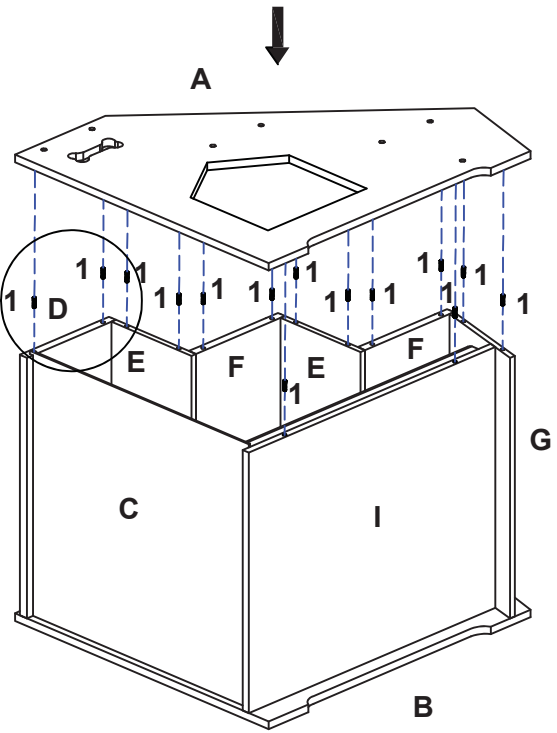
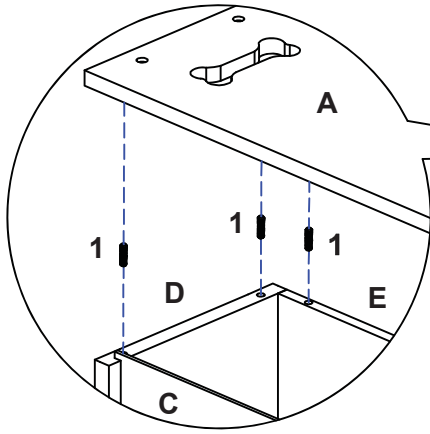
4



1  
x 14 pcs



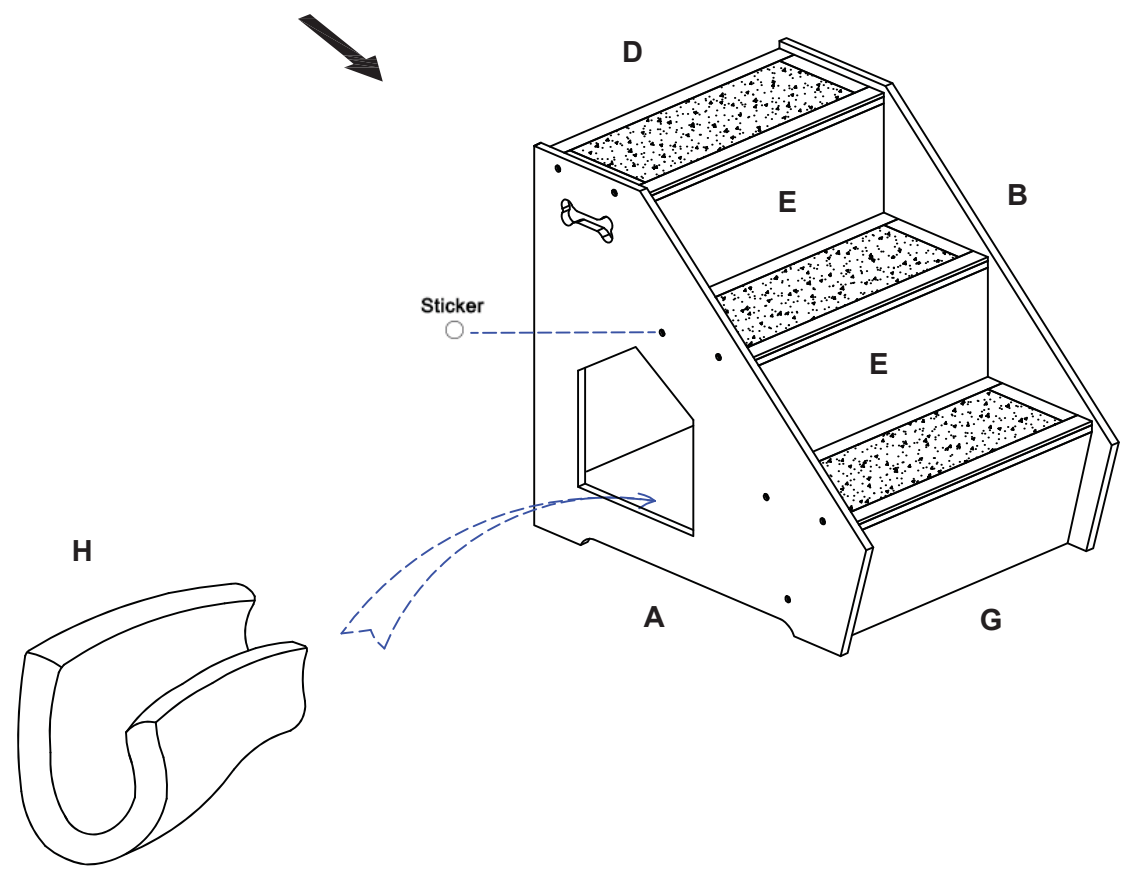
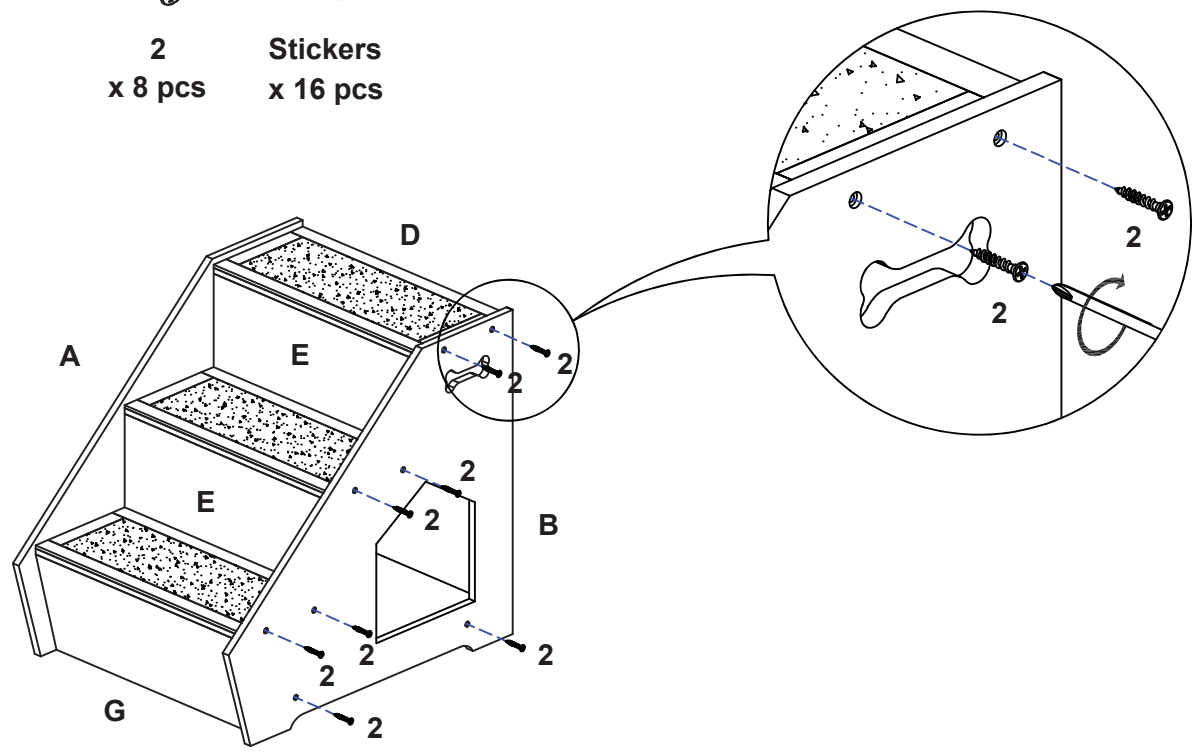
2  
x 8 pcs



5

2  
x 8 pcs

Stickers  
x 16 pcs



## Specifications

Weight capacity: 110 lbs.

Materials: MDF and pine

Paint: Nitrolacquer

Dimensions: 17" x 22" x 20"

### Customer Service:

support@arfpets.com

877-711-6886

Distributed by C & A Marketing, 114 Tived Lane East, Edison, NJ 08837 USA  
C&A Marketing UK LTD, 167 Hermitage Road, Crusader Industrial Estate  
London N4 1LZ, United Kingdom

Made in China

Arf Pets is a trademark of C&A IP Holdings, LLC. in the U.S.  
©2017 All rights reserved

