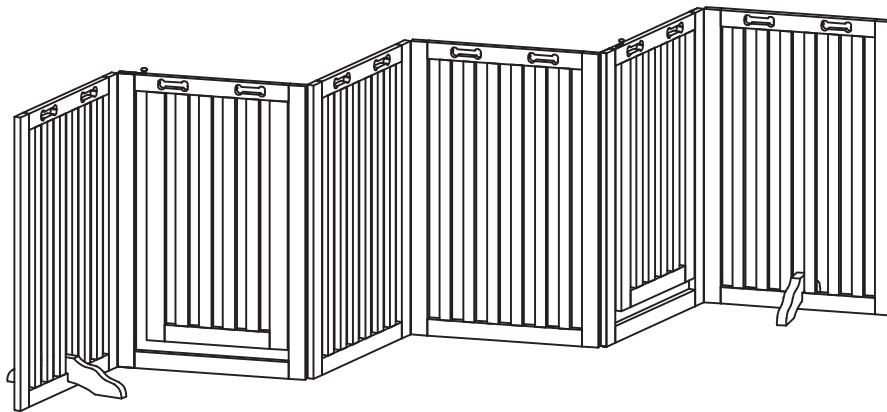
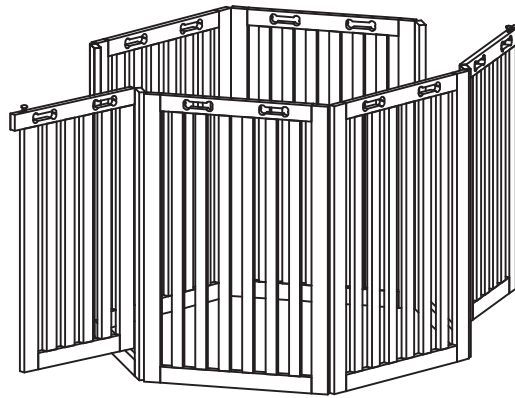




CONVERTIBLE WOOD PET GATE/PEN PANEL AND DOOR EXTENSION KIT

USER GUIDE

SKU# APDGEXTDR



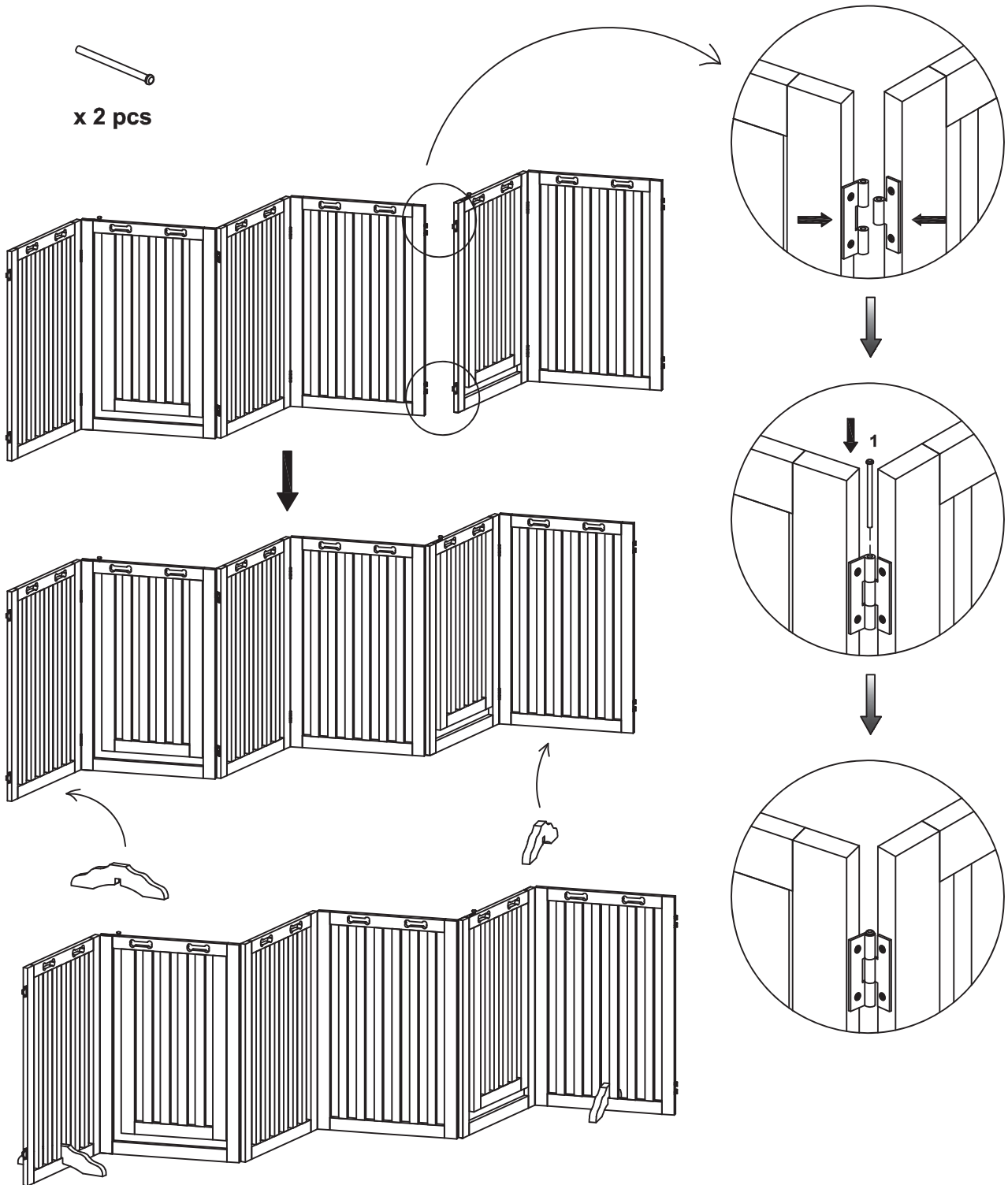
Thank you for purchasing the Arf Pets convertible wood pet gate/pen panel and door extension kit. This extension kit is for use only with the Arf Pets convertible wood pet gate/pen. Do not use this kit for anything other than its intended purpose.

Box Contents

- One gate panel
- One door panel
- Four connecting rods

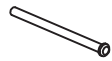
To Attach Panel Extensions to Main Gate

1. Line up the panel extension with the rest of the gate so that the hinges line up as seen in the diagram below.
2. Slide the connecting rods through each of the hinge openings to secure the panels together.

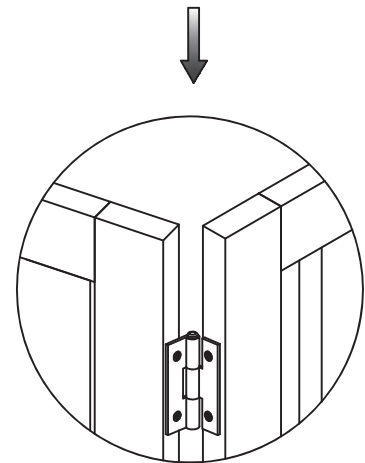
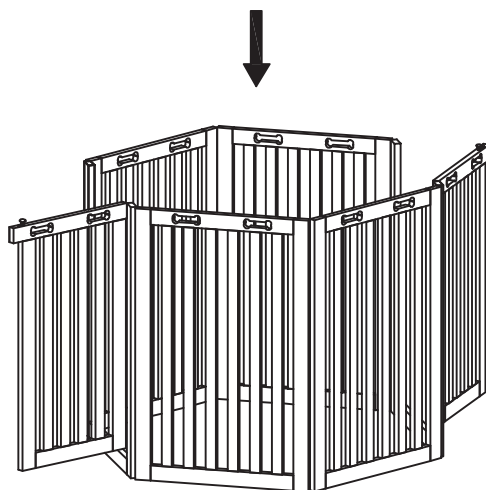
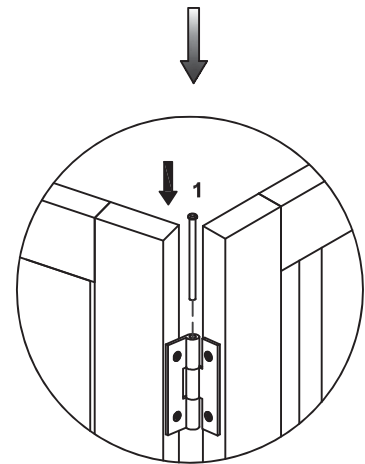
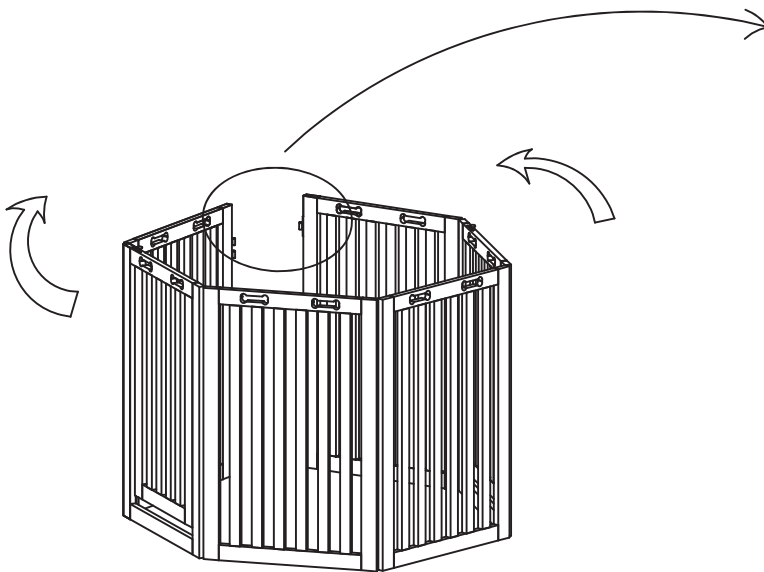
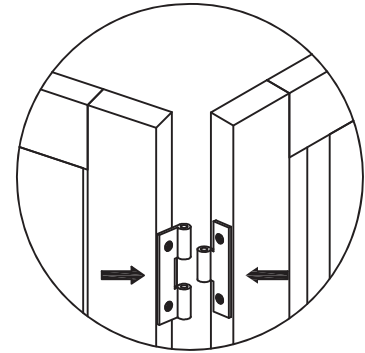
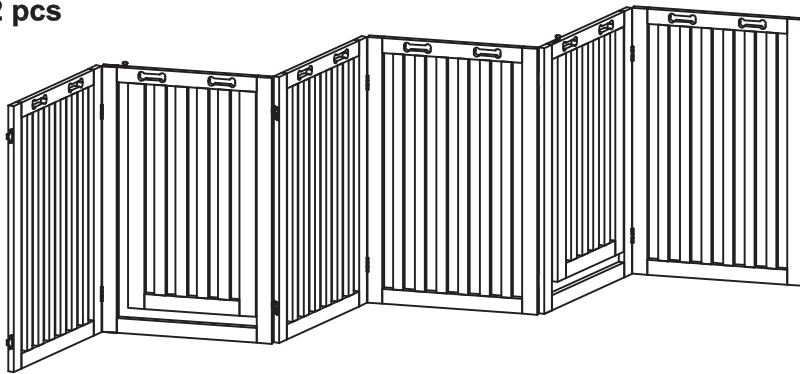


To Convert into a Pen

1. After connecting the panel extension to the main gate, bring the open ends of the gate together until both parts of the hinges (on the top and bottom of the panel) line up as seen in the diagram below.
2. Slide the connecting rods through each of the hinge openings to secure the panels together.



x 2 pcs



Customer Service:

Email: support@arfpets.com

Phone: 877-711-6886

Distributed by C&A Marketing, Inc.
114 Tived Lane East, Edison, NJ 08837 USA
C&A Marketing UK LTD 167 Hermitage Road
Crusader Industrial Estate
London N4 1LZ, United Kingdom

Made in China
ARF Pets is a trademark of C&A IP Holdings, LLC
©2016 All rights reserved

