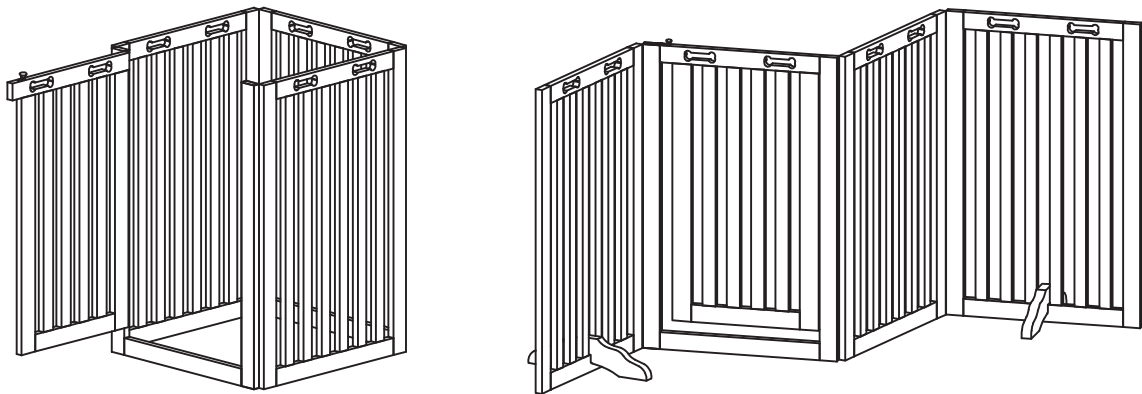




INVERTIBLE WOOD PET GATE/PEN

USER GUIDE

SKU# APDGTSG



Thank you for purchasing the Arf Pets convertible wood pet gate/pen. This User Guide is intended to provide you with guidelines to ensure that operation of this product is safe and does not pose risk to the user. Any use that does not conform to the guidelines described in this User Guide may void the limited warranty.

Please read all directions before using the product and retain this guide for reference. This product is intended for household use only.

This product is covered by a limited one-year warranty. Coverage is subject to limits and exclusions. See warranty for details.

Use the Arf Pets convertible wood pet gate/pen to limit your pet's access to selected areas of your home. With minimal adjustment, you can convert it from a gate to a pen for added versatility. Optional extension kits, sold separately, allow additional configurations.

Safety Precautions

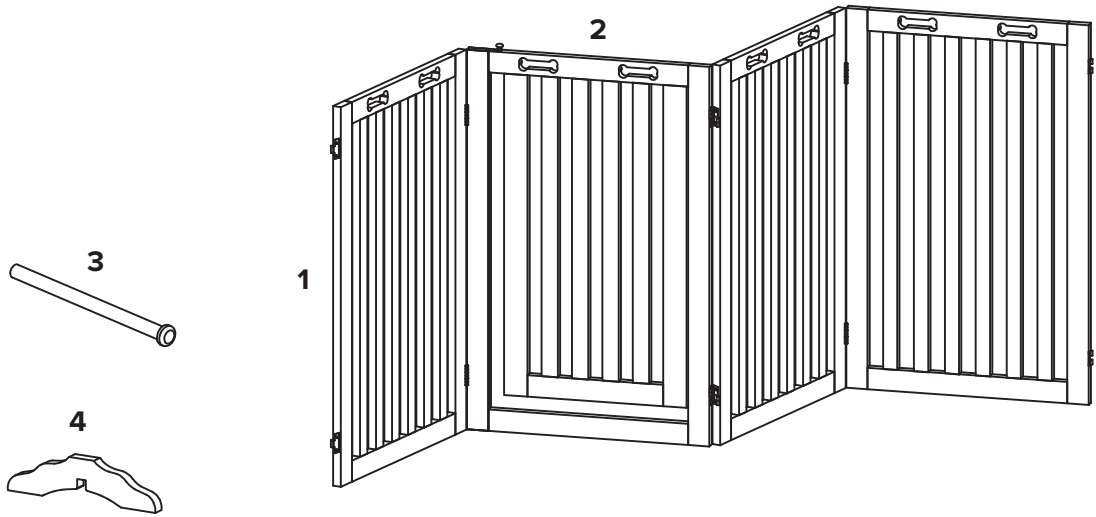
- Do not carry an infant or child while stepping over the gate.
- Do not place gate at the top or bottom of a staircase or near a glass door.
- Always place this gate on a sturdy, flat surface.
- Do not use this product in any way other than its intended purpose.
- Do not leash your pet when using this product as the pet could become entangled.
- Do not sit or lean on the gate.
- This gate was not designed to be permanently affixed to walls or door frames. There is no guarantee that animals will not jump on the gate and/or dislodge the latching mechanism.

Box Contents

- Four foldable gate panels
- Two support feet
- Two connecting rods

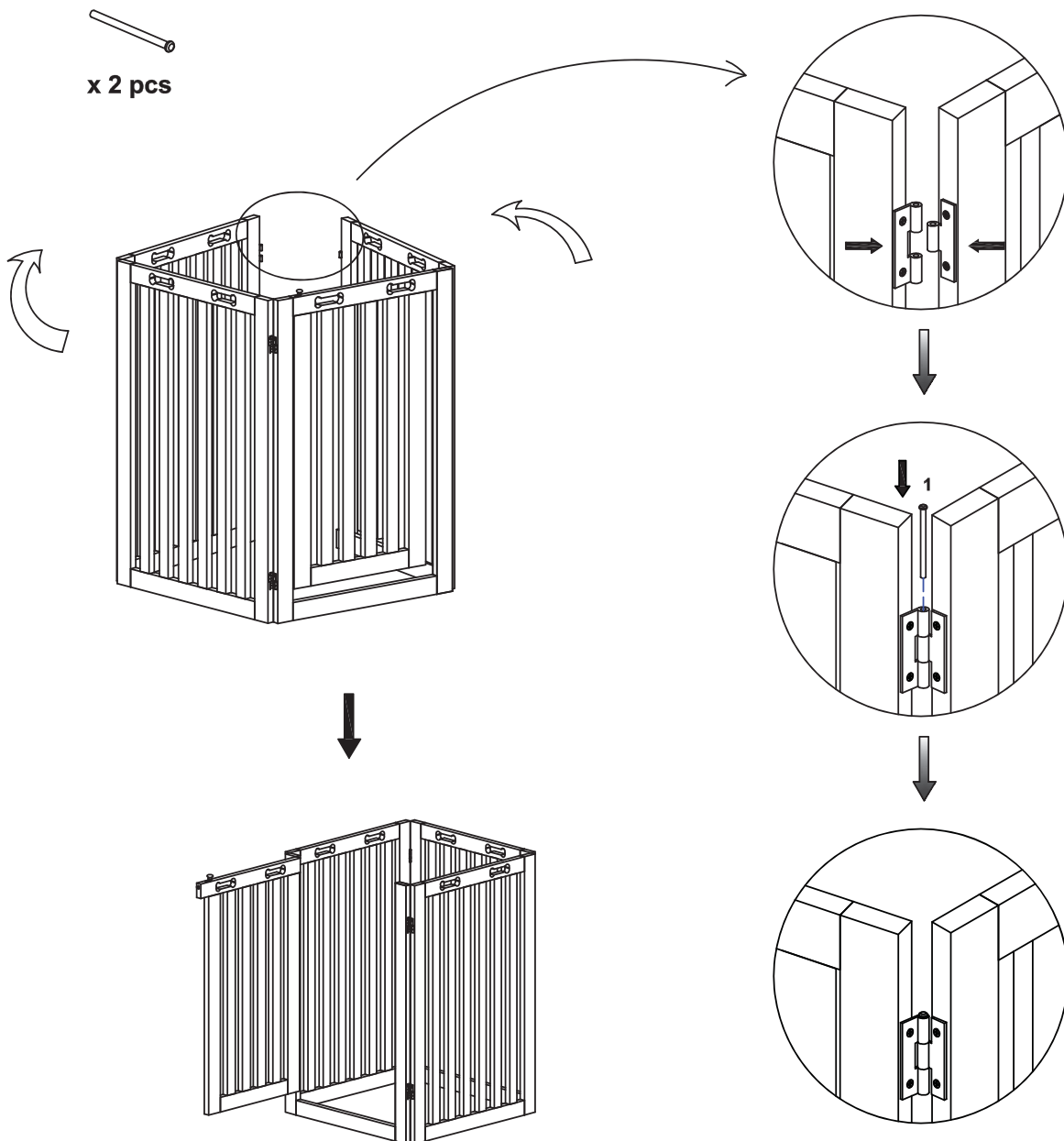
Parts

1. Gate panels
2. Walk-through door
3. Connecting rods
4. Support feet



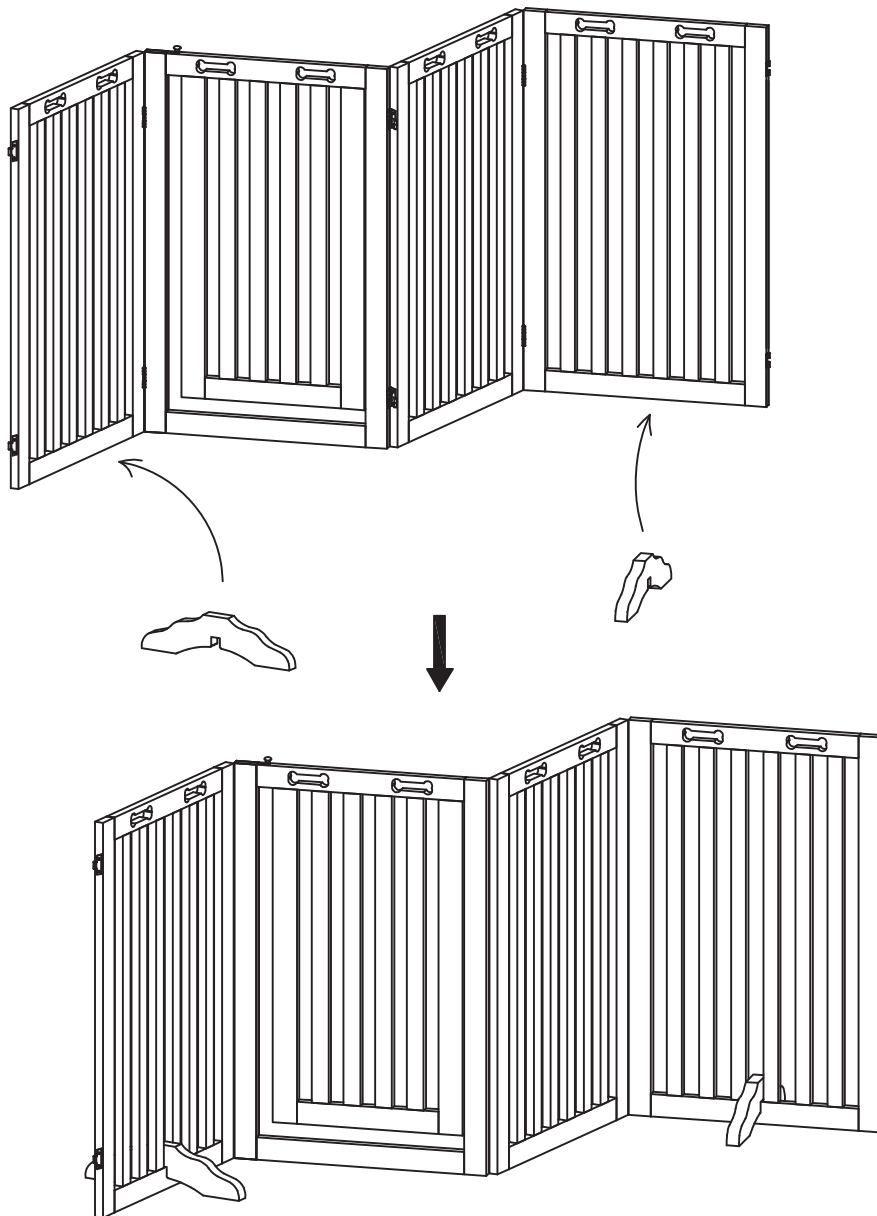
To Convert into a Pen

1. Bring the open ends of the gate together until both parts of the hinges (on the top and bottom of the panel) line up as seen in the diagram below.
2. Slide the connecting rods through each of the hinges to secure the panels together.



To Attach the Optional Support Feet

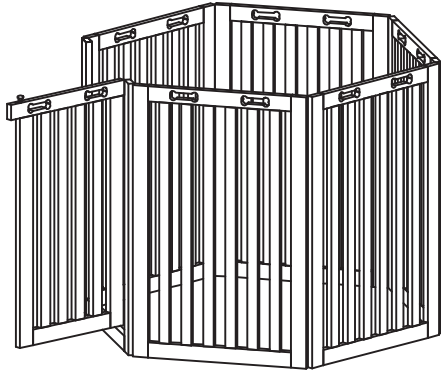
Slide the support feet through the bars of the gate and press down so that they are in contact with both the base of the gate and the floor.



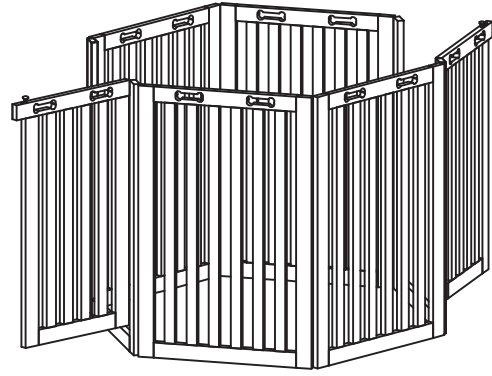
Care and Maintenance

- When not in use, keep the connecting rods in a safe place where they will not be misplaced.
- Clean with a mild detergent and water. Do not use harsh chemicals.
- Use a soft cloth when cleaning. Do not use a scrub brush or other abrasive materials.
- Keep out of direct sunlight when drying.

Optional extensions are available from your online retailer.



2-panel extension kit
Model# APDGEXT2GTS



Panel & door extension kit
Model# APDGEXTDR

Customer Service:

Email: support@arfpets.com

Phone: 877-711-6886

Distributed by C&A Marketing, Inc.
114 Tived Lane East, Edison, NJ 08837 USA
C&A Marketing UK LTD 167 Hermitage Road
Crusader Industrial Estate
London N4 1LZ, United Kingdom

Made in China
ARF Pets is a trademark of C&A IP Holdings, LLC
©2016 All rights reserved

