



CAR DOG BARRIER

USER GUIDE

SKU# APDBAR

Thank you for purchasing the ARF PETS car dog barrier. This User Guide is intended to provide you with guidelines to ensure that operation of this product is safe and does not pose risk to the user. Any use that does not conform to the guidelines described in this User Guide may void the limited warranty.

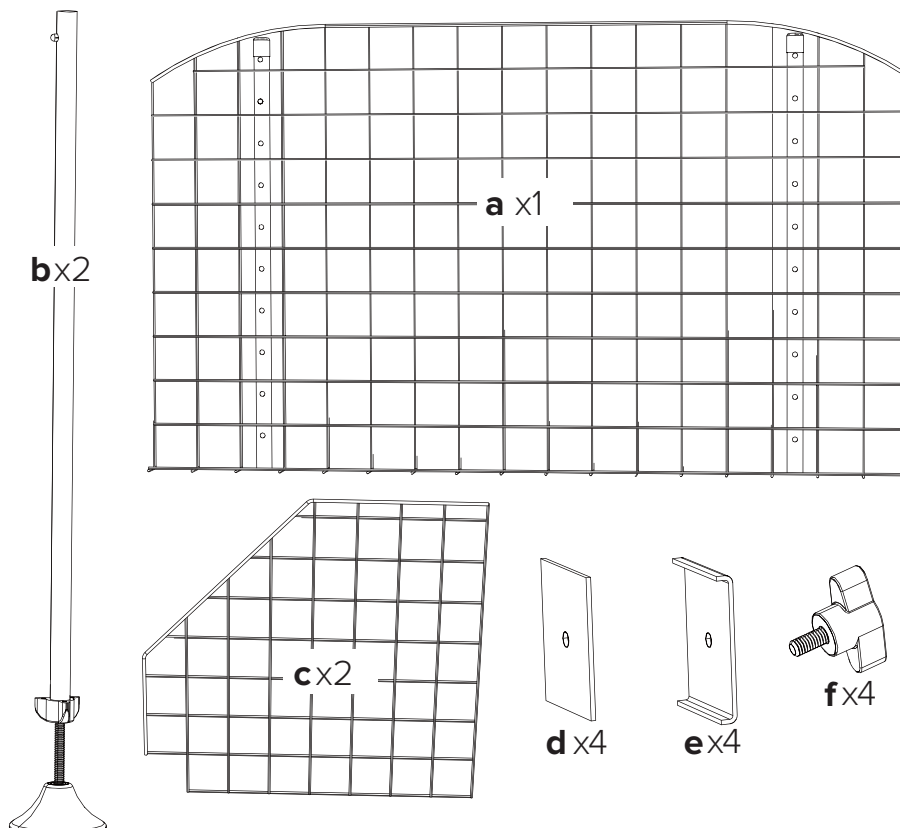
Please read all directions before using the product and retain this guide for reference. This product is intended for household use only.

This product is covered by a limited one-year warranty. Coverage is subject to limits and exclusions. See warranty for details.

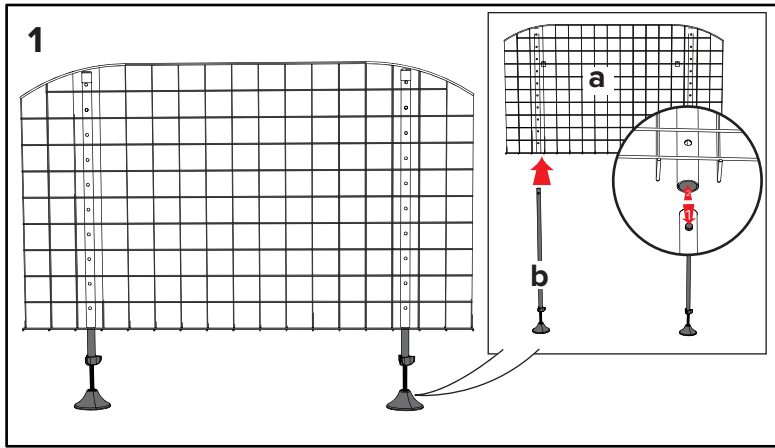
Features

- Keeps pets safely enclosed in cargo area
- Fully adjustable to fit most SUVs, hatchbacks and vans
- Easy to install and remove
- Rubber-tipped feet and header protect vehicle's interior
- Steel wire construction

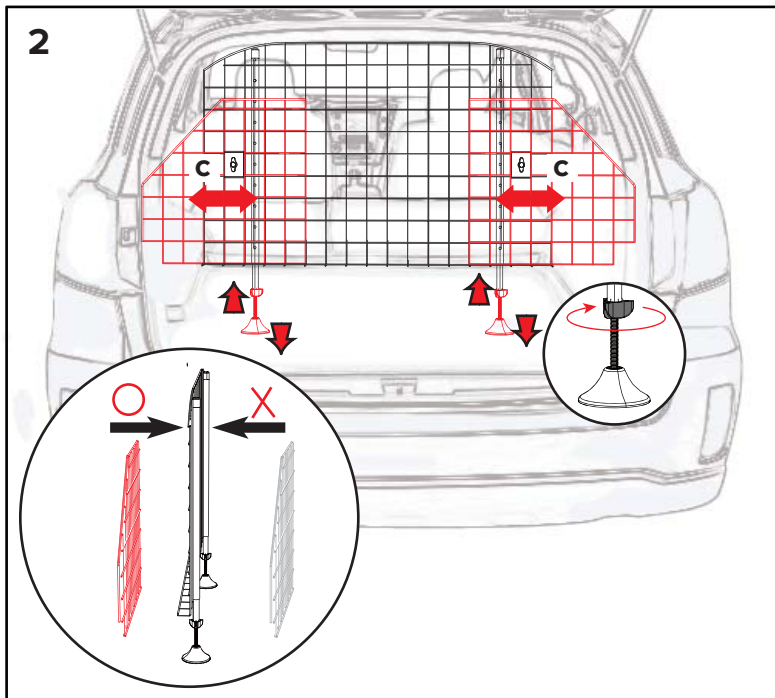
Parts



Assembly Instructions

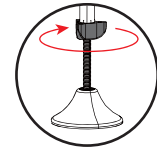


Slide legs (b) into the largest piece of the mesh barrier (a) on left and right sides.

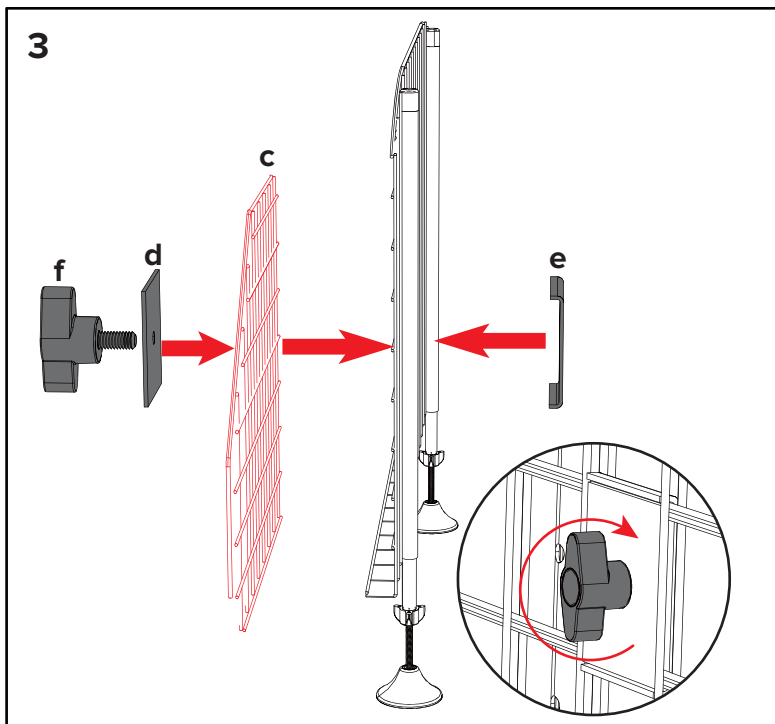


Place the largest piece of the barrier (a) in the center of your cargo space with the flat surface against the back seat. Make sure the top of the barrier contacts the ceiling of your vehicle.

Adjust the barrier height and footing by turning the knobs on the legs until tight.



Attach the side pieces (c) on either side, making sure they touch the sides of the cargo area.



Use parts (d), (e), and (f) to secure the side segments (c) to the main segment (a). Test to make sure the barrier is securely in place.

Customer Service:
 Email: support@arfpets.com
 Phone: 877-711-6886

Distributed by C&A Marketing, Inc.
 114 Tived Lane East, Edison, NJ 08837 USA
 C&A Marketing UK LTD 167 Hermitage Road
 Crusader Industrial Estate
 London N4 1LZ, United Kingdom

Made in China
 ARF Pets is a trademark of C&A IP Holdings, LLC
 ©2016 All rights reserved

