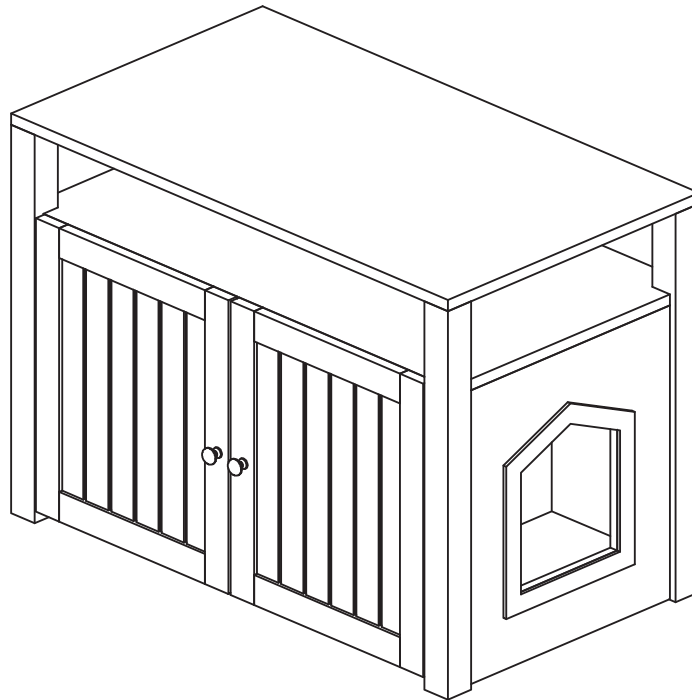




CAT LITTER BOX CABINET

USER GUIDE

APCATBXLG



Thank you for purchasing the ARF PETS Cat Litter Box Cabinet. This User Guide is intended to provide you with guidelines to ensure that operation of this product is safe and does not pose risk to the user. Any use that does not conform to the guidelines described in this User Guide may void the limited warranty.

Please read all directions before using the product and retain this guide for reference.

This product is intended for household use only. This product is covered by a limited one-year warranty. Coverage is subject to limits and exclusions. See warranty for details.

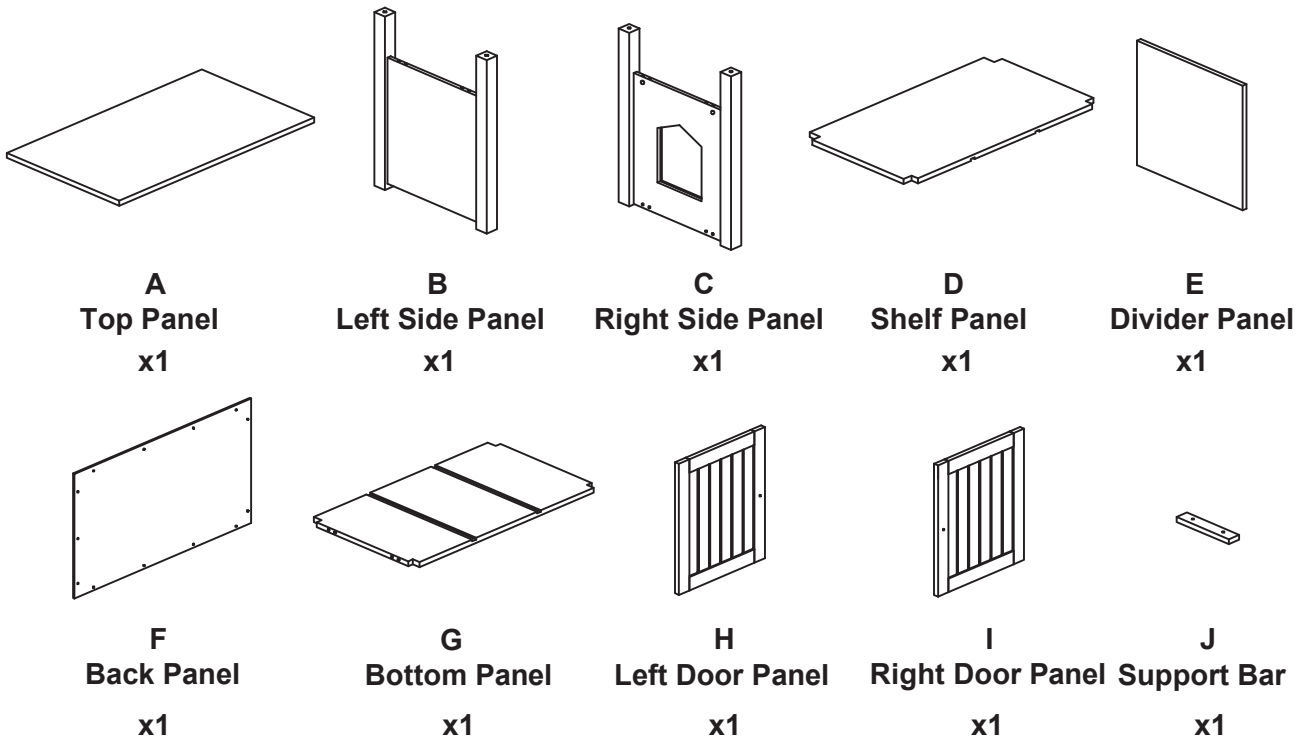
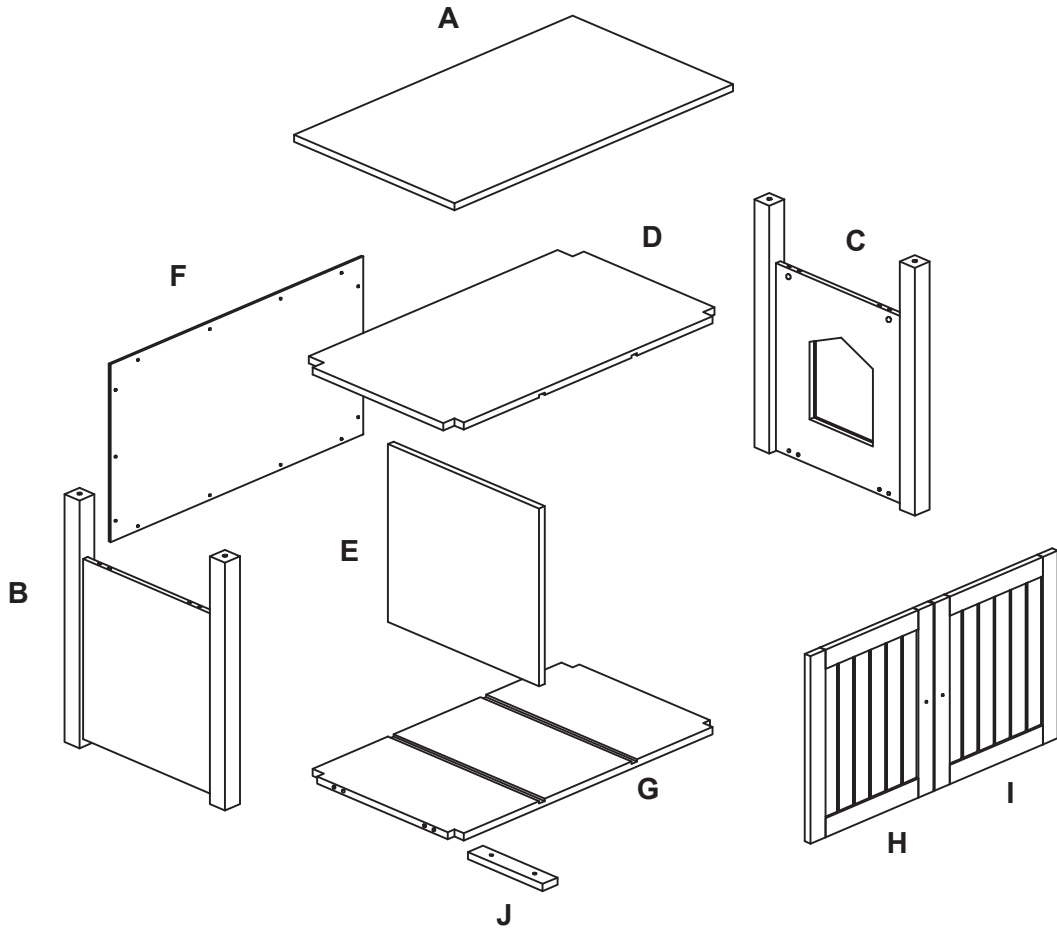
Features

- Accommodates a pet bed or hides a large cat litter box
- Provides attractive extra surface and storage space
- Front cabinet doors and 1 pet entry opening
- Ideal for bathrooms, laundry rooms, mudrooms

Safety Precautions

- Always keep pet beds and pet furniture away from combustible materials, chemicals, heat sources, cleaning products, plants, tools, electrical appliances or equipment, and objects that your pet may chew or ingest.
- Always use pet-safe cleaning products to clean this product.
- Do not block the door or opening of the cabinet. Always allow for adequate air circulation inside the enclosure while your pet is in it.
- Do not sit or stand on the product.
- Do not place heat-emitting appliances inside the cabinet or on the shelf or tabletop.
- Do not place objects weighing more than the maximum weight capacity of 20 lbs. on the top shelf.
- Use this product only for its intended purpose.

Parts



Hardware



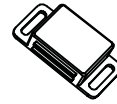
1
x 12 pcs



2
x 12 pcs



3
x 8 pcs



4
x 2 pcs



5
x 18 pcs



6
x 4 pcs



7
x 20 pcs



8
x 2 pcs



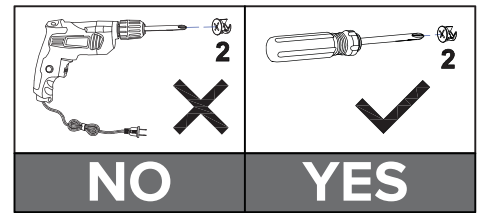
9
x 2 pcs



10
x 2 pcs

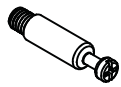
Assembly Instructions

WARNING! DO NOT use power tools to assemble this product. Please read all assembly instructions carefully before beginning assembly of this product. This product should be assembled by an adult only.



Assemble as Shown

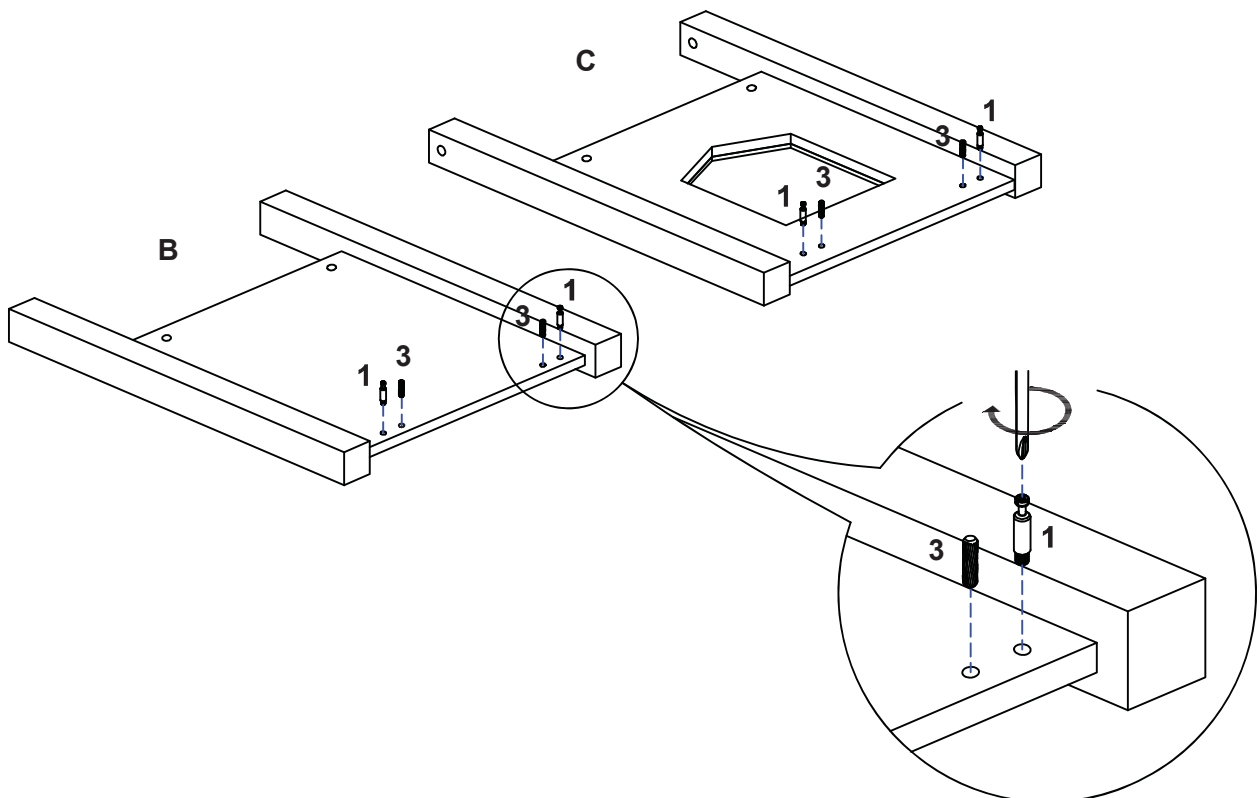
1



1
x 4 pcs



3
x 4 pcs



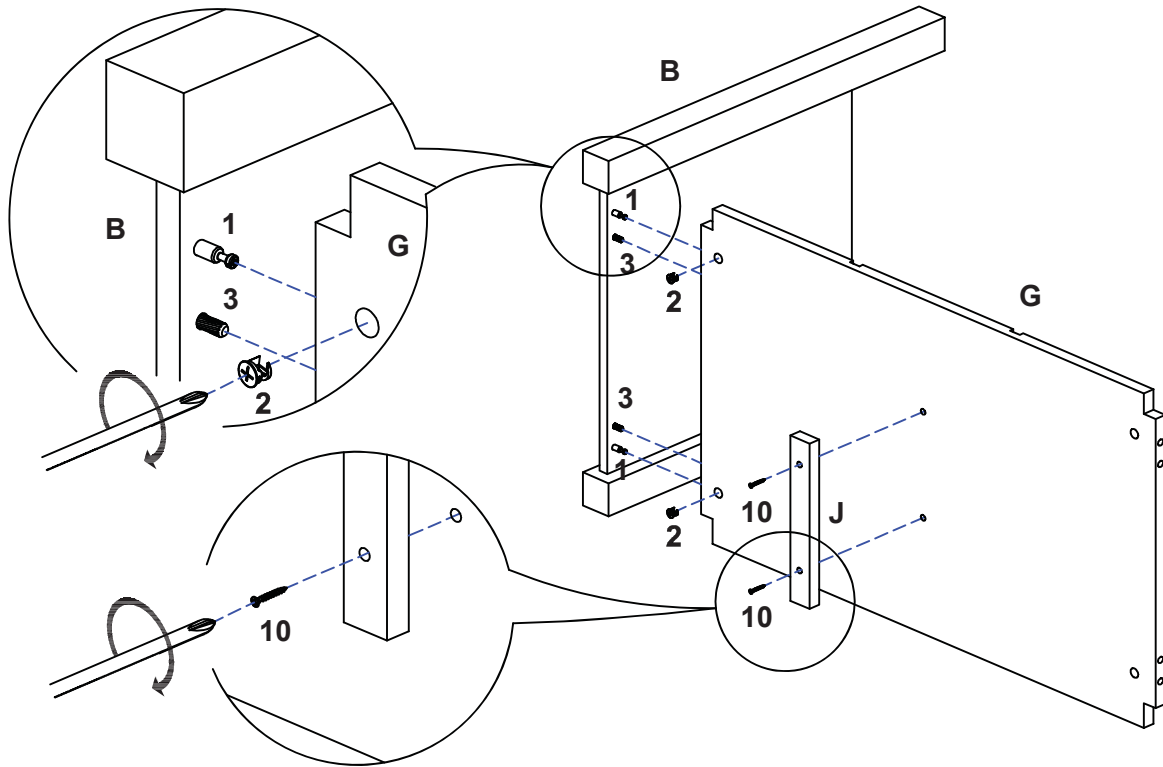
2



2
x 2 pcs



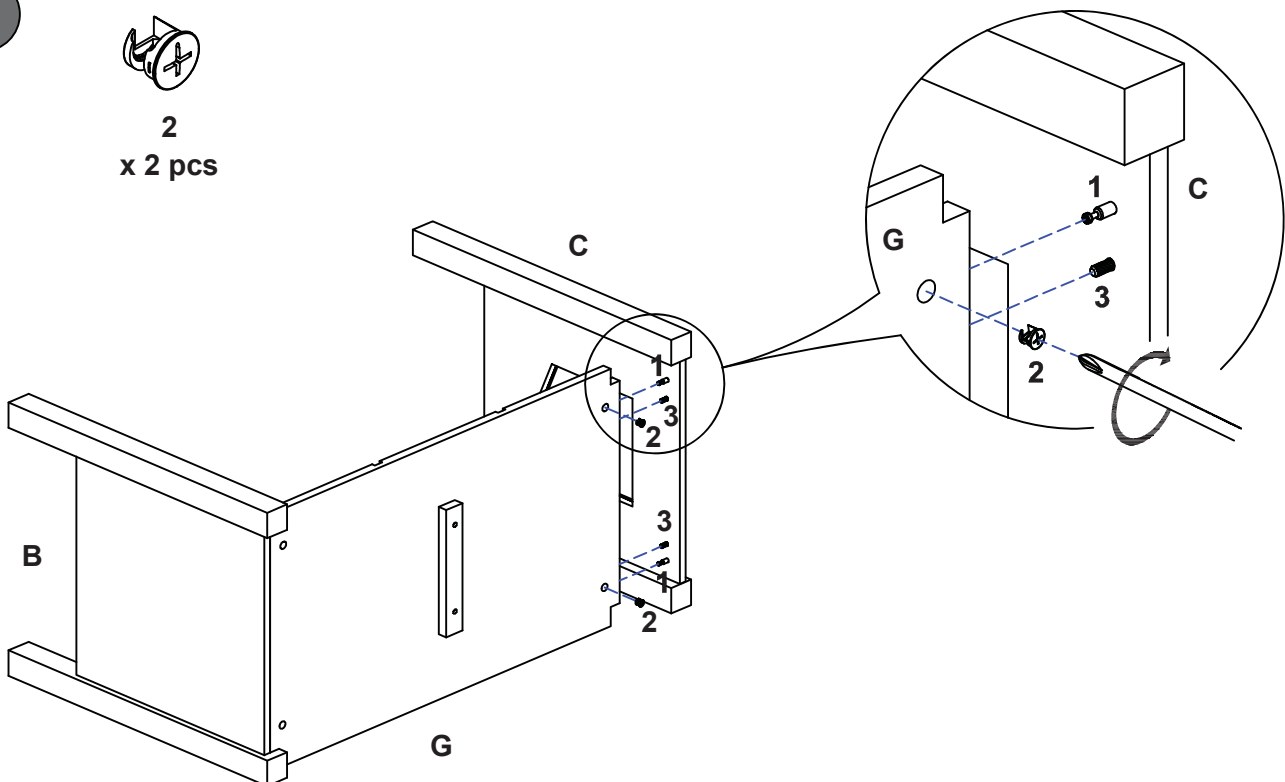
10
x 2 pcs



3

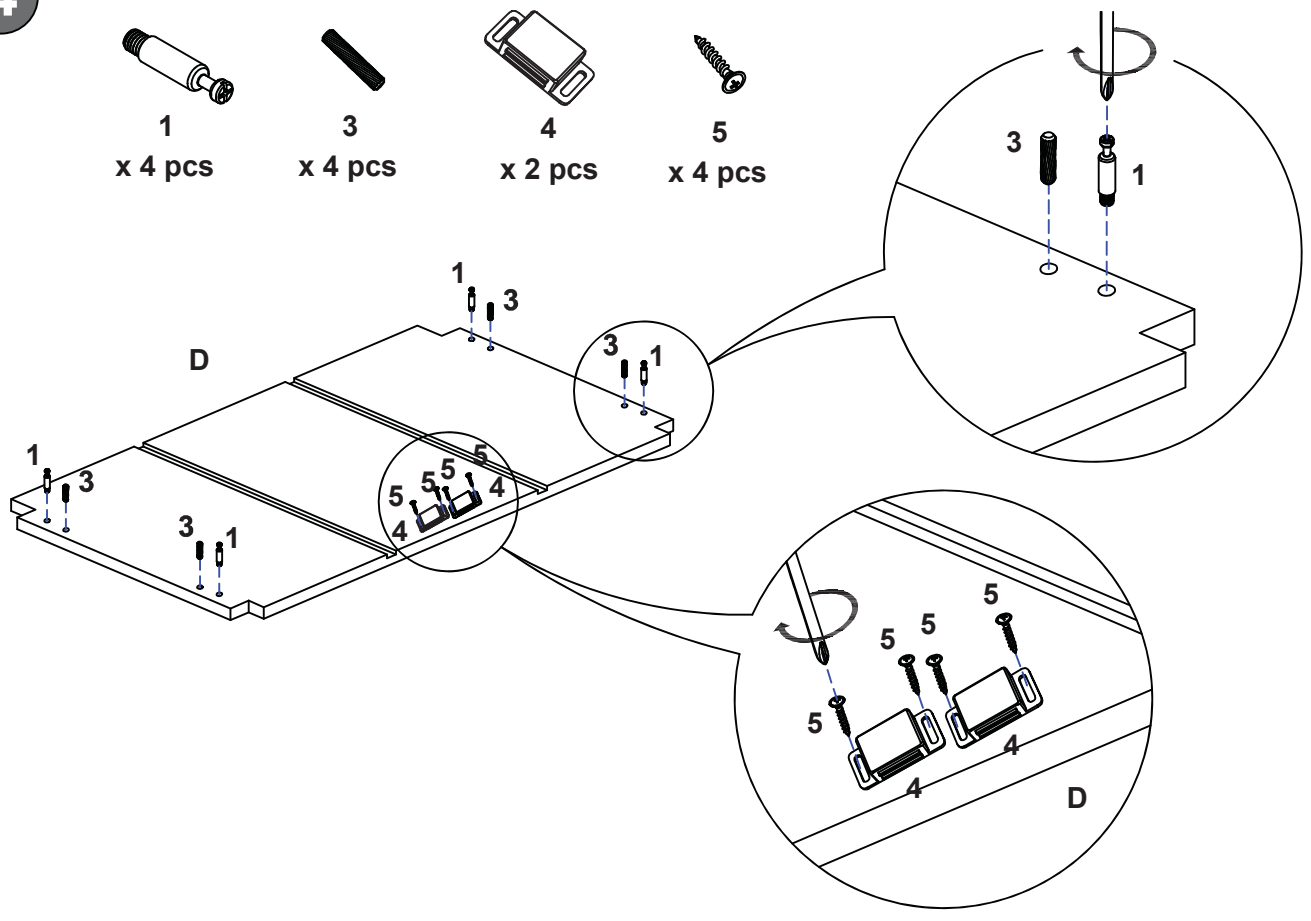


2
x 2 pcs



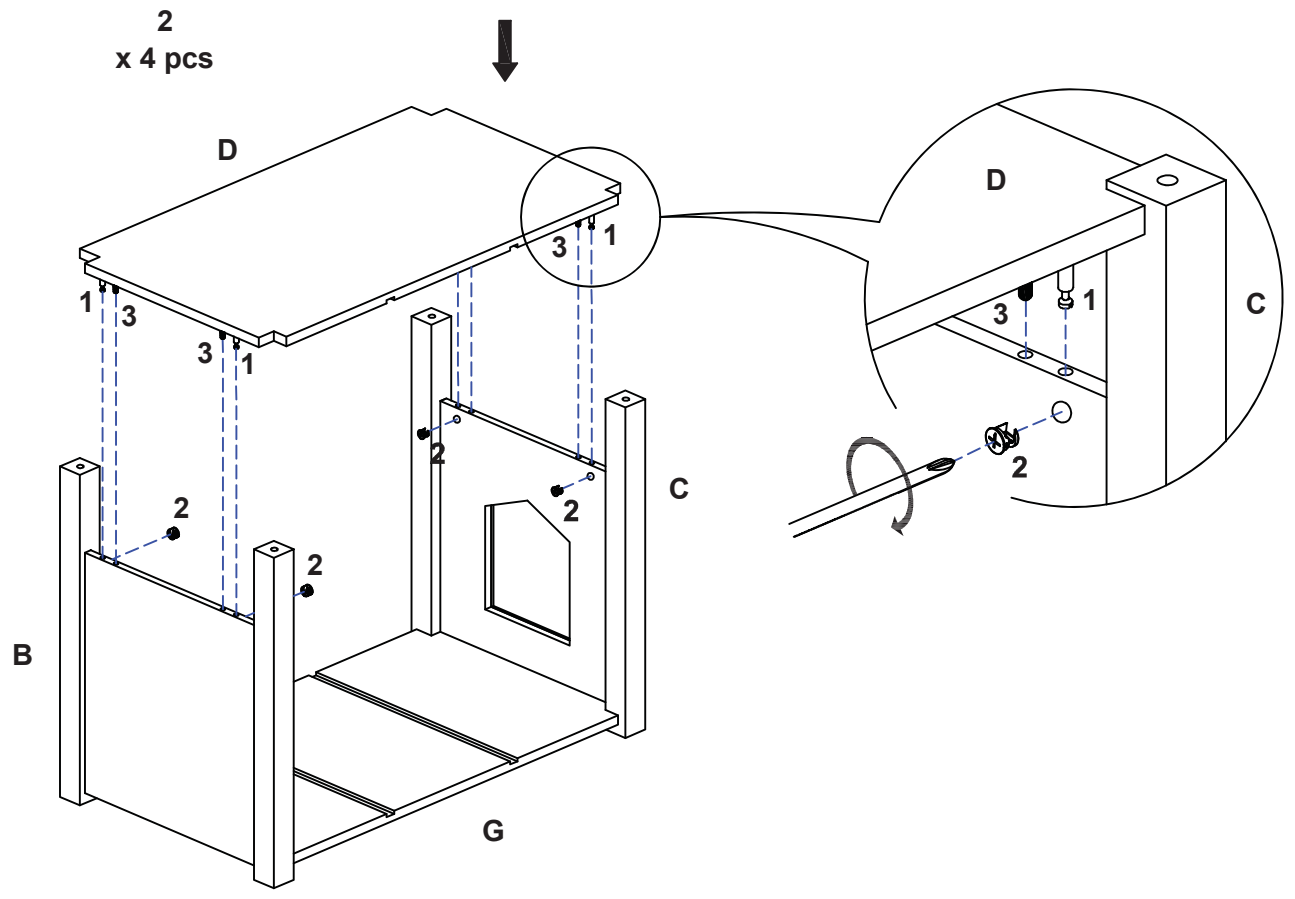
4

- 1 x 4 pcs
- 3 x 4 pcs
- 4 x 2 pcs
- 5 x 4 pcs

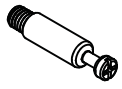


5

- 2 x 4 pcs



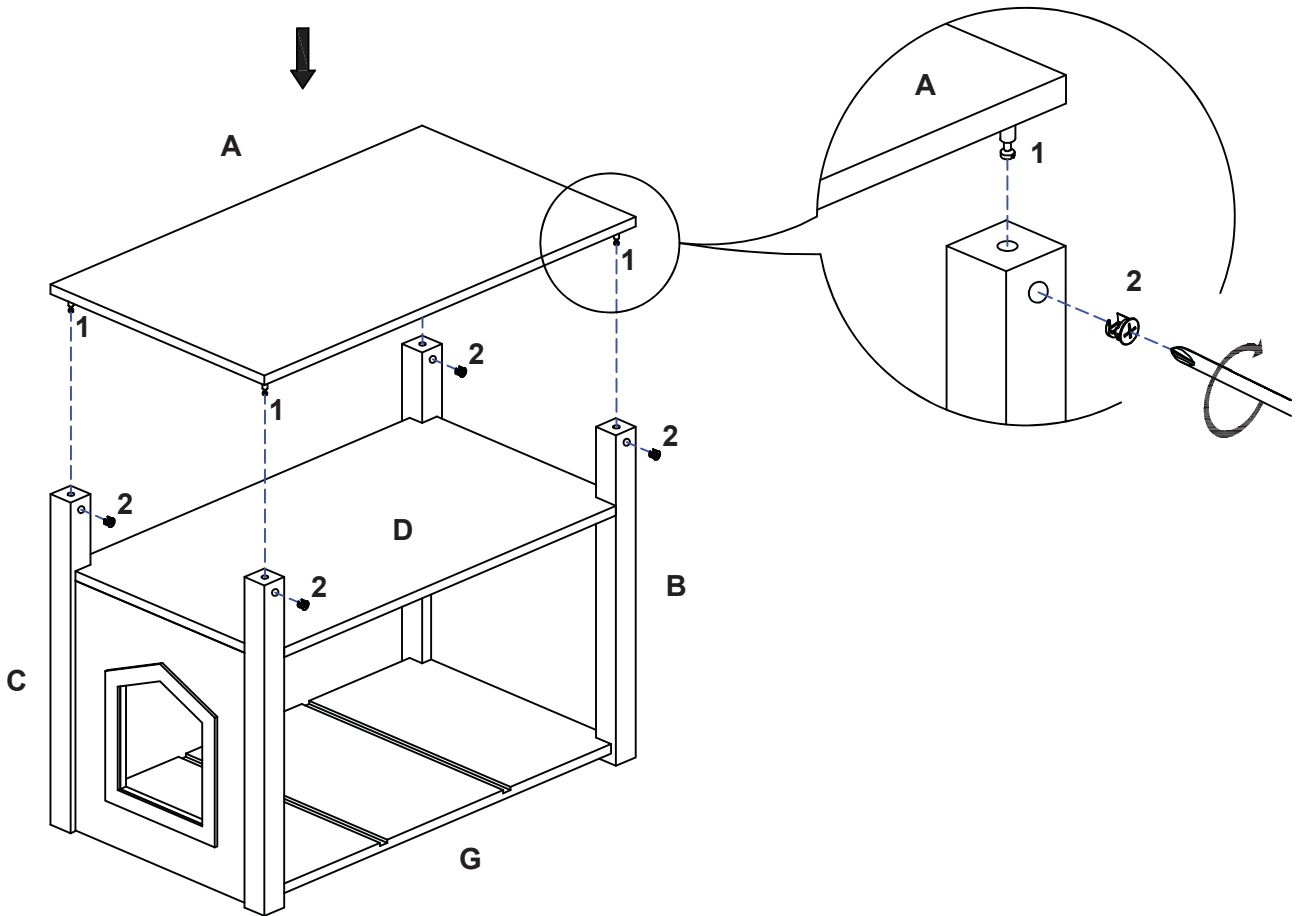
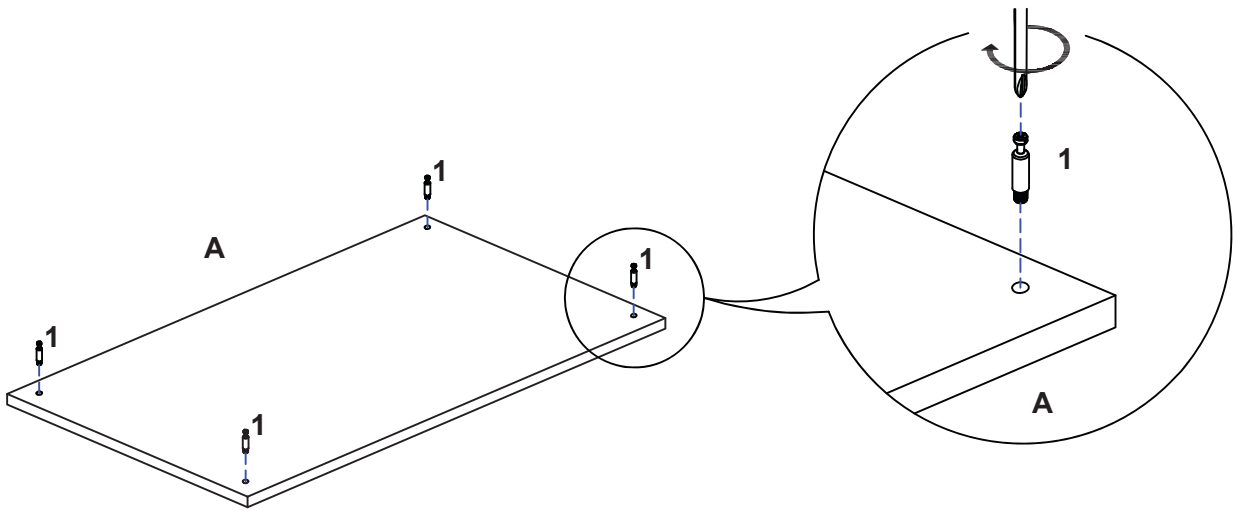
6



1
x 4 pcs

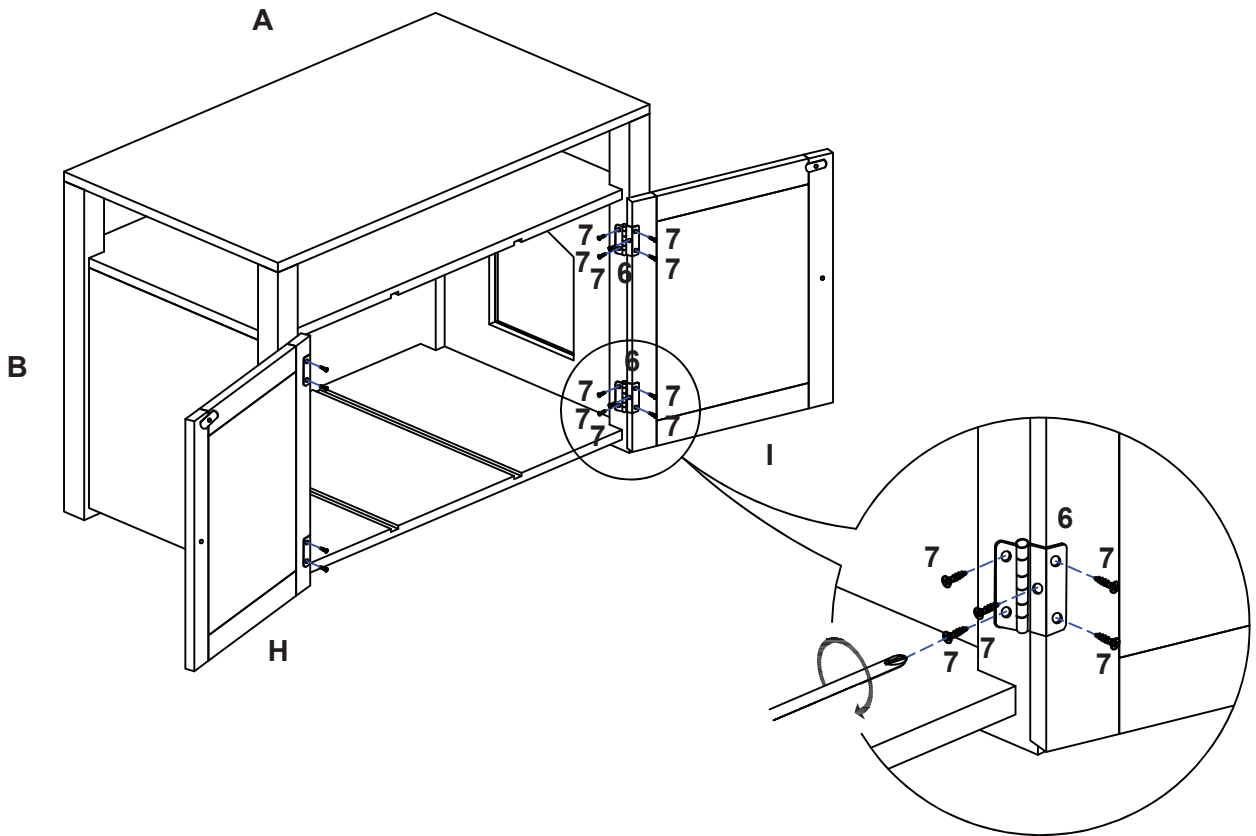
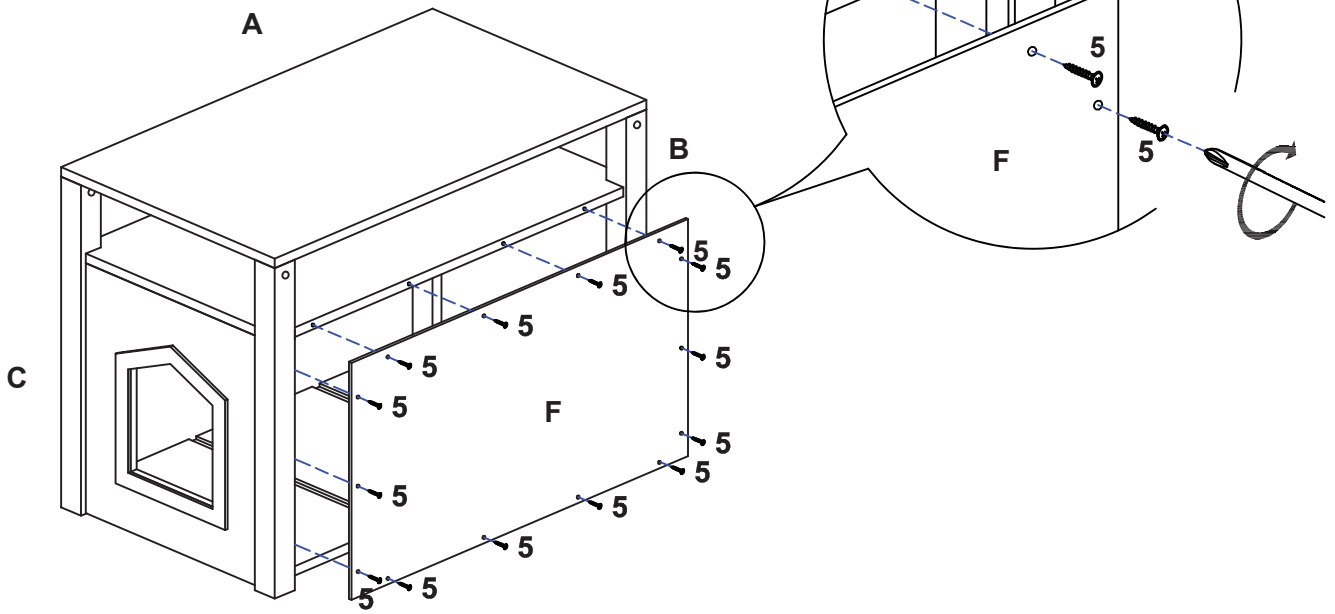


2
x 4 pcs

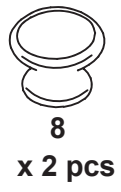


7

- 5 x 14 pcs
- 6 x 4 pcs
- 7 x 20 pcs



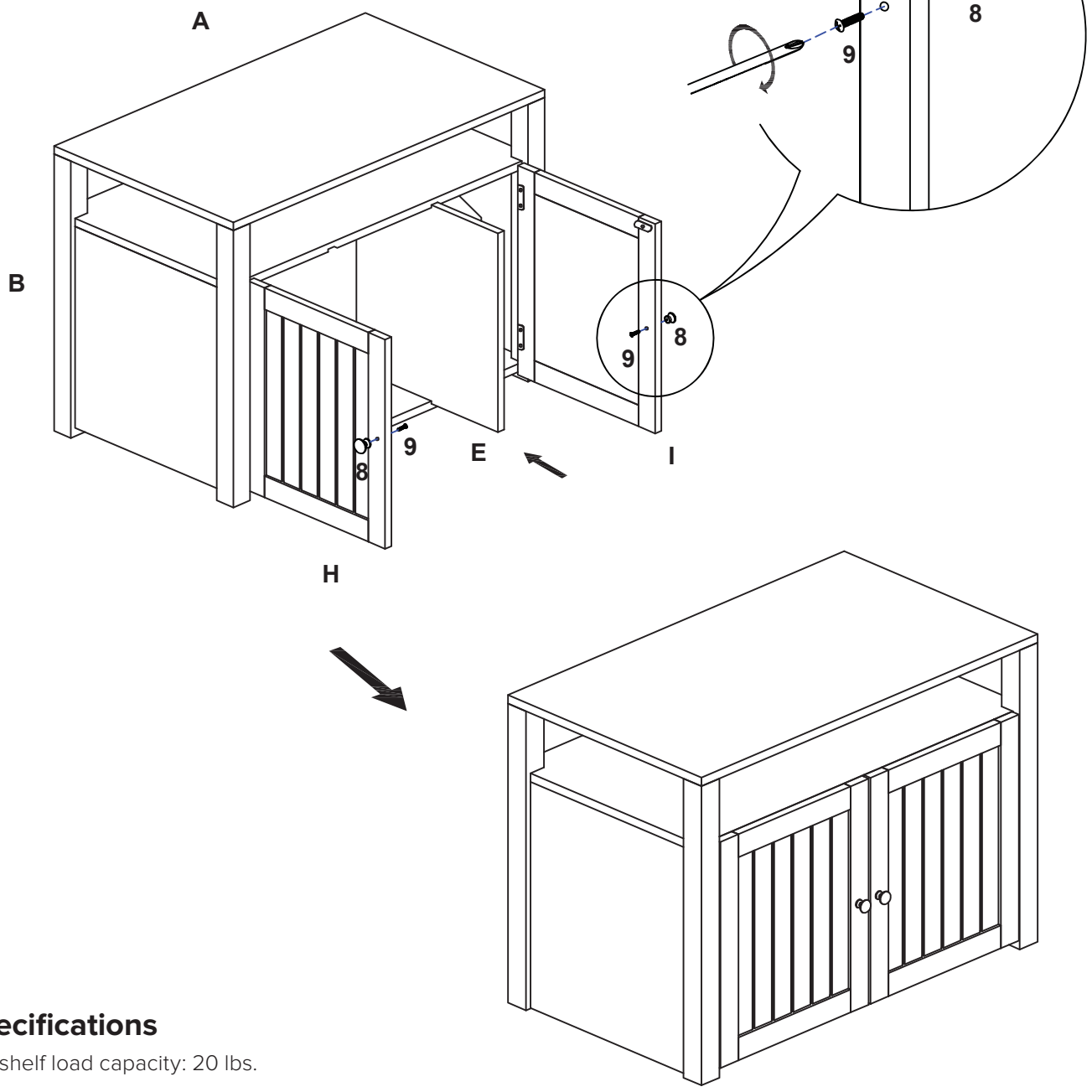
8



8
x 2 pcs



9
x 2 pcs



Specifications

Top shelf load capacity: 20 lbs.

Customer Service:
support@arfpets.com
877-711-6886

Distributed by C & A Marketing, 114 Tived Lane East, Edison, NJ 08837 USA
C&A Marketing UK LTD, 167 Hermitage Road, Crusader Industrial Estate
London N4 1LZ, United Kingdom

Made in China

Arf Pets is a trademark of C&A IP Holdings, LLC. in the U.S.
©2017 All rights reserved

	Facebook.com/ArfPets
	Instagram.com/ArfPets