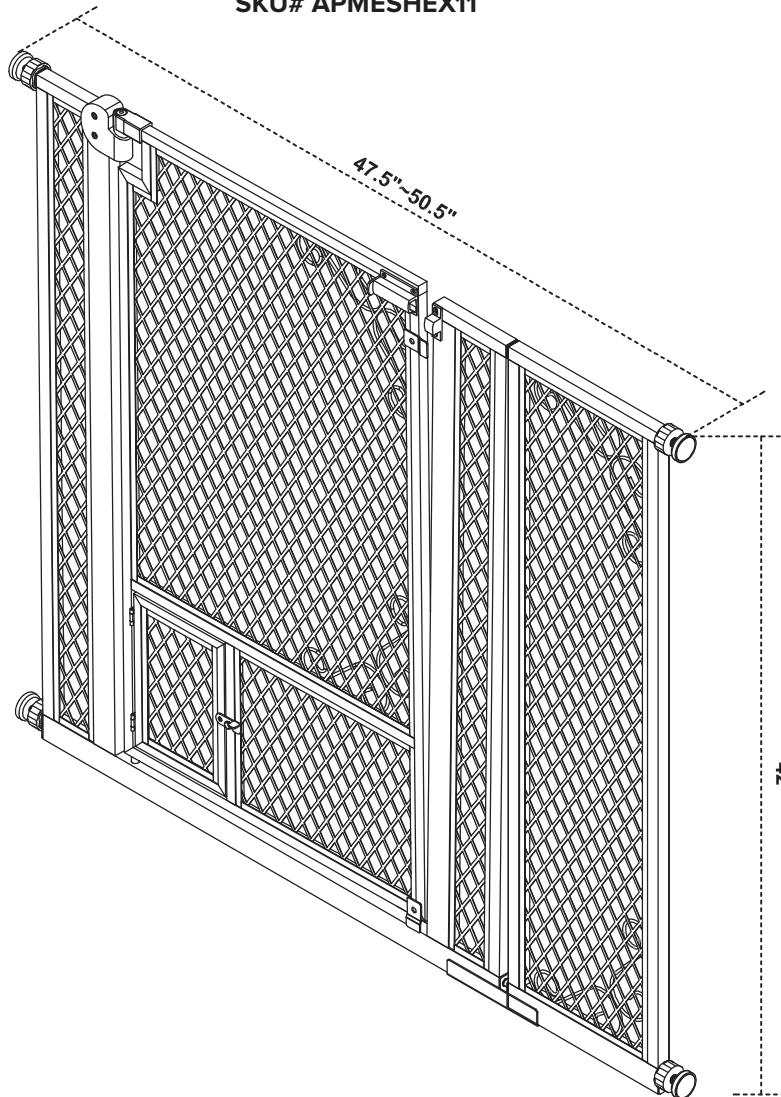




11" EXTENSION FOR ARF PETS TENSION-MOUNT 2-DOOR PET (GATE MODEL APMESHGT)

USER GUIDE

SKU# APMESHX11



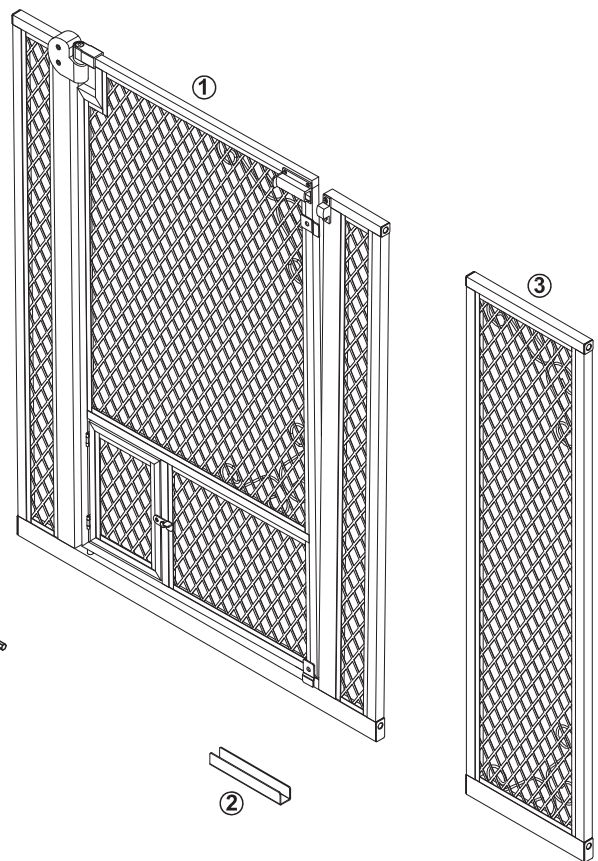
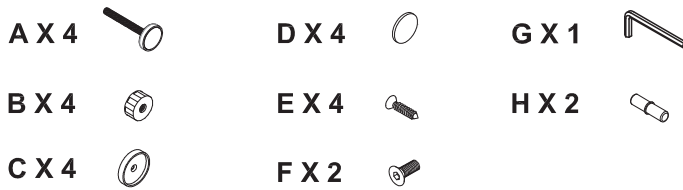
Safety Precautions

- **WARNING!** Incorrect installation can be dangerous. Make sure the gate is firmly attached between two clean, structurally sound surfaces.

Parts

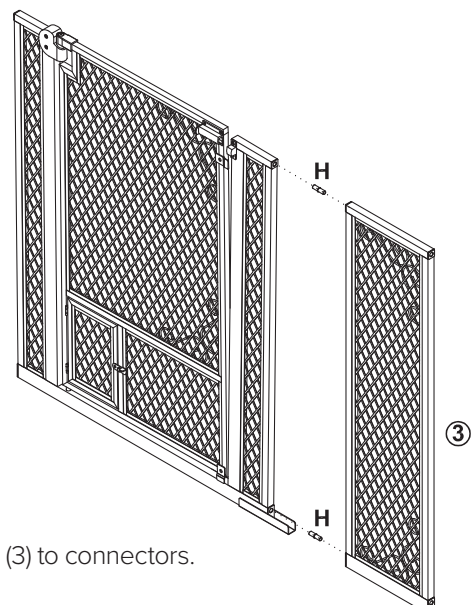
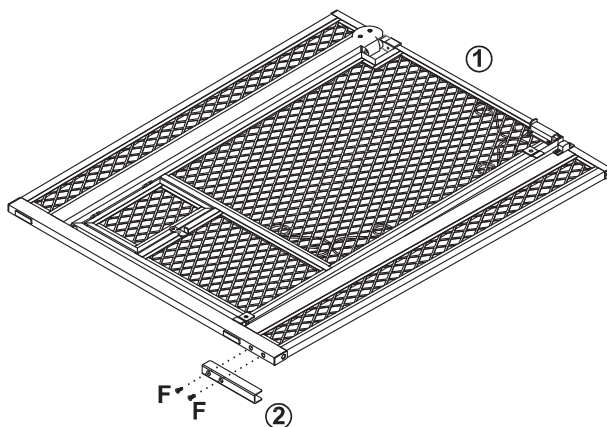
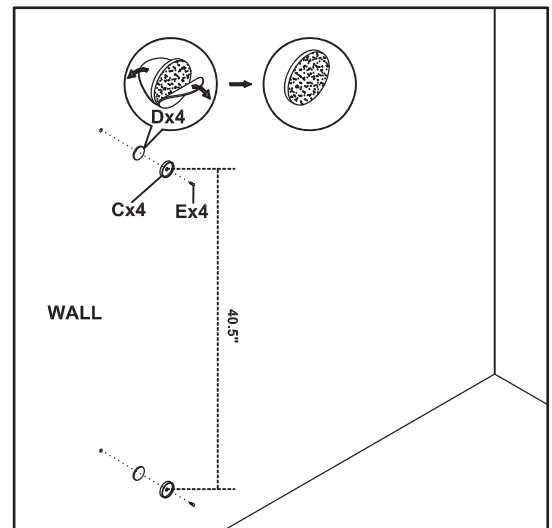
1. Main gate APMESHGT
2. U bracket
3. Extension

- A. Adjustment bolts
- B. Adjustment knobs
- C. Wall mounting flanges
- D. Double-sided adhesive discs
- E. Screws
- F. Screws
- G. Allen wrench
- H. Connectors



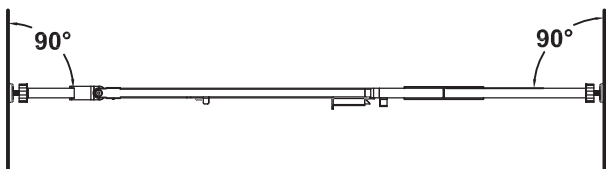
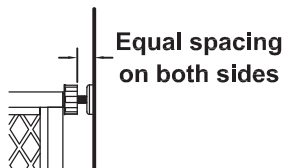
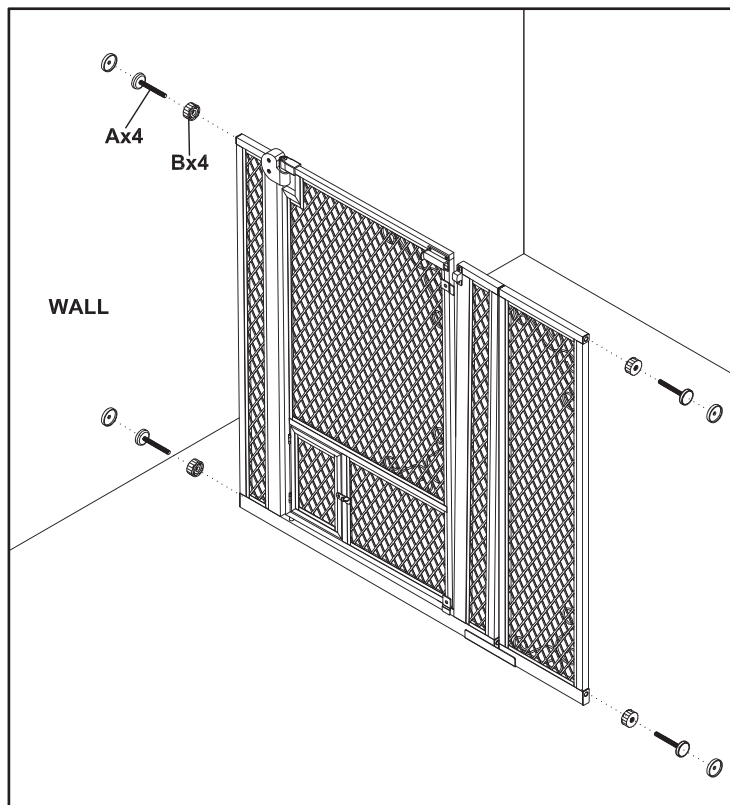
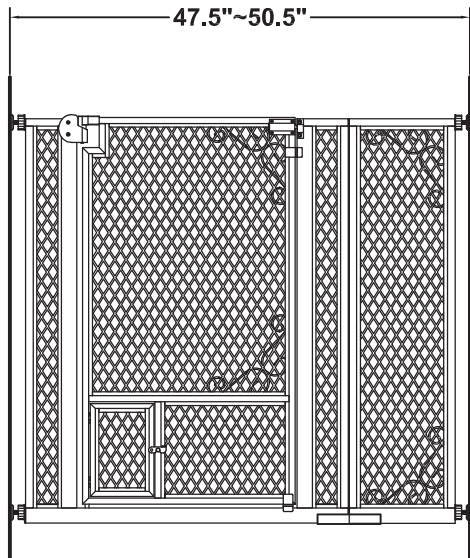
Assembly Instructions:

1. Determine the position of the gate with 40.5 inches between the top and bottom.
2. Mark the distance on the wall or doorway. Temporarily position the gate to check for accurate placement. Make sure that the gate will be vertically straight when mounted.
3. When you're sure of the position, peel off the adhesive from the discs (D) and adhere them to walls where you have marked them.
4. Adhere the backs of the flanges (C) to the discs on the wall.
5. Screw each flange into the wall (screws (E)) through the pre-drilled screw holes in the flanges.



6. Attach the U bracket (2) to the bottom of the main gate using screws (F).
7. Insert connectors (H) into top and bottom of main gate and attach extension (3) to connectors.

8. Slide the adjustment knobs (B) onto the bolts (A).
 9. Insert the free end of the bolts into the holes located at the top and bottom of the gate frame.
 10. Fit the capped ends of the bolts into the mounted flanges.
 11. Turn the adjustment knob to tighten.
- Gate width can be adjusted 47.5" – 50.5".



Optional side extensions are available from your online retailer.

Model #	Size
APMESHEX2	2.75" x 42"
APMESHEX5	5.5" x 42"
APMESHEX11	11" x 42"

Customer Service:

Email: support@arfpets.com

Phone: 877-711-6886

Distributed by C&A Marketing, Inc.
 114 Tived Lane East, Edison, NJ 08837 USA
 C&A Marketing UK LTD 167 Hermitage Road
 Crusader Industrial Estate
 London N4 1LZ, United Kingdom

Made in China
 ARF Pets is a trademark of C&A IP Holdings, LLC
 ©2016 All rights reserved

