

PLEASE NOTE THIS PRODUCT IS FOR USE ON A CAR OR SMALL SPORT UTILITY VEHICLE. **MAXIMUM WEIGHT 500 POUNDS.**

FOR FURTHER INSTRUCTION, SEE OUR 'HOW-TO' VIDEO AT **WWW.SLIDE-N-RIDE.COM**

AFTER REMOVING PRODUCT FROM BOX, NOTE LEGS ARE IN CLOSED POSITION TO ALLOW PRODUCT TO BE EASILY CARRIED BY ITS HANDLE.

HOW TO PLACE THE SLIDE N RIDE VEHICLE ASSIST SEAT ON VEHICLE:

1. Place seat on firm surface, top side down.
2. Press the release tab **(Figure 1)** and unfold the legs to place in 'Use' position. **(Figure 2)**
3. Place short legs over and behind the passenger door sill so that they touch the floor inside the vehicle. **(Figure 3)**
4. Adjust length of short legs with spring loaded tabs **(Figure 4)** so that top of Slide N Ride is even with passenger seat in vehicle.
5. The long legs should sit on ground outside of vehicle. If the seat is NOT level, press the tabs on the long legs to adjust seat to a level position. When seat is level, release tabs and listen for a 'click' to indicate that seat is locked in place. **(Figure 5)**
6. Make sure Slide N Ride seat top is level with the seat in the vehicle. The Slide N Ride Vehicle Assist Seat is ready for use.

Note: In order for the seat to fit properly, it may be necessary to move the passenger seat back as far it will go to allow clearance from the power controls on the seat.

HOW TO FACILITATE GETTING A PERSON SAFELY INSIDE VEHICLE:

In most situations, the patient will require assistance from a caregiver to get safely in and out of a vehicle. This includes placing the Slide N Ride on the vehicle.

TRANSPORT WHEELCHAIR

Getting Patient INTO Vehicle:

1. Follow Steps 1-6 above to set up the Slide N Ride in the vehicle.
2. Align front wheels of wheelchair directly in front of Slide N Ride and engage brakes on wheelchair wheels. Be sure there is enough room between wheelchair and Slide N Ride to allow patient to be assisted to stand, pivot, and turn 180 degrees to sit on seat of Slide N Ride.
3. Once patient is safely on Slide N Ride, move wheelchair out of way.
4. If patient can turn themselves: Rotate 90 degrees to align with vehicle seat, while picking up one leg and moving it into car as they turn body on smooth surface of Slide N Ride. With one leg in and one leg out of vehicle, the patient should use their hands to slide off Slide N Ride and on to the vehicle seat. **(Figure 6)**
5. **(a)** If patient cannot turn themselves: Caregiver should help the patient to stand, turn 180 degrees, and sit down on Slide N Ride outside the vehicle. Lift one of patient's legs into the vehicle and when placing the other leg in vehicle, assist patient to turn 90 degrees off of Slide N Ride and onto vehicle seat.
5. **(b)** A gait belt can also be used around the patient's waist to gently pull patient into vehicle from driver's side of vehicle. Note: A second caregiver is needed to remain with the patient and may assist with pushing/pulling patient into vehicle. **(Figure 7)**
6. If vehicle has cloth seats, a large plastic trash bag over vehicle seat may be useful to allow patient to more easily slide across seat.
7. Once safely inside vehicle, leave wheelchair and gait belt inside vehicle for use at the next destination.
8. Remove the Slide N Ride from the door sill, collapse all 4 legs to the shortest length, fold into storage position and store in vehicle.

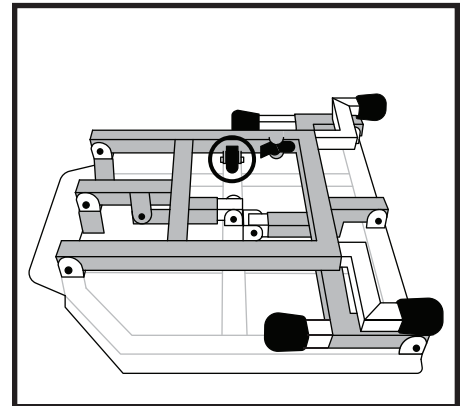


Figure 1

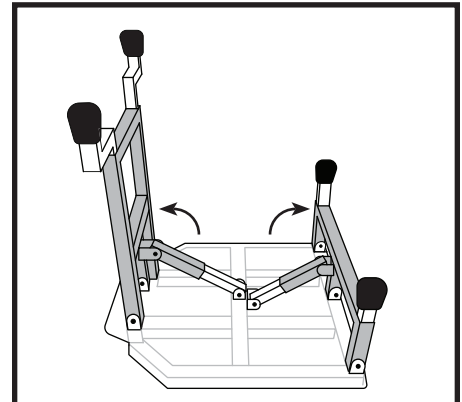


Figure 2

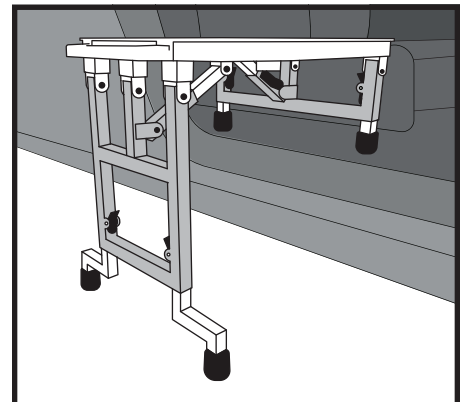


Figure 3

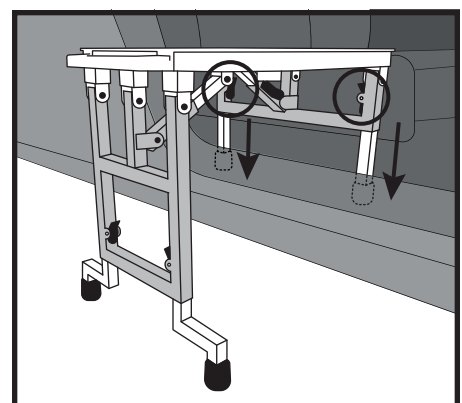


Figure 4

Getting Patient OUT OF Vehicle:

1. Follow Steps 1-6 above to set up Slide N Ride.
2. Align front wheels of wheelchair directly in front of Slide N Ride, with brakes engaged.
3. Instruct patient to scoot themselves sideways and slide onto top of Slide N Ride while lifting/ placing legs and feet outside vehicle, then turn 90 degrees to face open door of vehicle. **(Figure 8)**
4. Roll wheelchair in front of patient leaving room for them to stand/turn 180 degrees and sit down on wheelchair. Make sure brakes are on to prevent chair from moving.
5. Remove Slide N Ride from door sill by collapsing 4 legs to shortest length and folding into storage position.
6. Place Slide N Ride back into vehicle for future use.

WALKING CANE/QUAD CANE

Getting Patient INTO A Vehicle:

1. Follow Steps 1-6 above to set up Slide N Ride.
2. Once patient approaches vehicle, the Caregiver should instruct them to turn 180 degrees, step backward until the seat touches their legs.
3. Instruct patient to sit on top of Slide N Ride, then take cane from patient.
4. Patient should lift one leg, then other and place inside car while turning 90 degrees into vehicle. Patient should use hands to assist themselves off Slide N Ride and onto vehicle seat.
5. Instruct patient to buckle seatbelt.
6. Remove Slide N Ride from door sill by collapsing all 4 legs to shortest length and placing into storage position.
7. Place Slide N Ride and Cane in vehicle.

Getting Patient OUT OF Vehicle:

1. Follow Steps 1-6 above to set up Slide N Ride.
2. Instruct patient to place one leg outside vehicle. The Caregiver may need to provide assistance.
3. Patient should use their hands to slide buttocks over and onto top of Slide N Ride.
4. Instruct patient to remove other leg from vehicle. The Caregiver may need to provide assistance.
5. Instruct patient to turn 90 degrees, give them their cane and instruct them to stand. Be sure they have balance before allowing them to walk away from vehicle.
6. Remove Slide N Ride from door sill by collapsing all 4 legs to shortest length and placing into storage position.
7. Place Slide N Ride in the vehicle for future use.

NOTICE: Use of this product for any purpose other than what is intended voids and negates any warranty or liability claims.

*ALL SALES ARE FINAL

PLEASE DIRECT ALL QUESTIONS TO CUSTOMERSERVICE@SLIDE-N-RIDE.COM

WWW.SLIDE-N-RIDE.COM

SLIDE N RIDE VEHICLE ASSIST SEAT IS PROTECTED BY US PAT NO. 8.990.976 BL
SLIDE N RIDE VEHICLE ASSIST SEAT IS A REGISTERED TRADEMARK OF GROUP ENDEAVOR, LLC

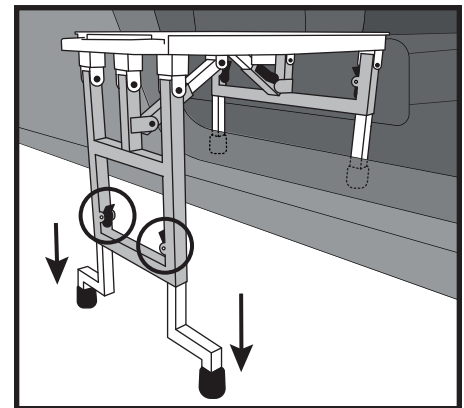


Figure 5



Figure 6



Figure 7



Figure 8