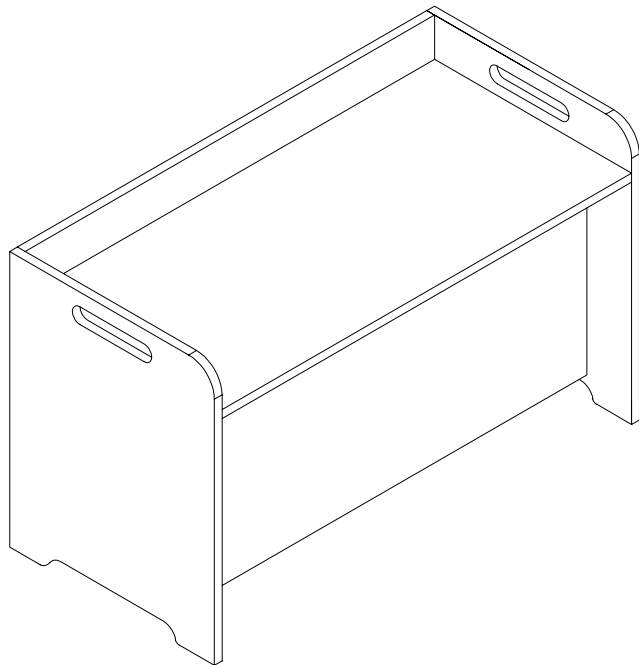




gltc.co.uk

Junior Storage Bench L5294



Assembly Difficulty



easy - medium - hard



one person job



01/11/2021

GLTC Ltd, 12 Buckhold Road, Wandsworth, London, SW18 4GP, United Kingdom

Thank you for shopping with GLTC, we hope you enjoy having this product in your home.

We know assembling furniture, toys or accessories is not everyone's favourite way to spend their time, so we've tried to make assembling this item as quick and painless as possible.

A few important pointers before you start:

- Please read the instructions right through before you start, and check that all the components have been included in the pack; we find separating all the hardware into piles makes it easier to be sure that everything is present and correct.
- Make sure you have the right tools. Allen keys are provided if required, but screw drivers and other tools are not. You'll find details of the tools you need at the beginning of the instructions.
- It's a good idea to build the unit in the room where you are going to be using it, to avoid the need to move it after it's been assembled.
- Do not throw away any packing materials until assembly is complete, just in case you accidentally discard smaller parts or hardware.

IMPORTANT! READ CAREFULLY AND KEEP FOR FUTURE REFERENCE

SAFETY WARNINGS!

- This product has been designed, manufactured and tested to comply with BS EN 17191:2021 seating for children.
- Adult assembly required.
- Unassembled product contains small parts which may present a choking hazard.
- Assemble and use on a flat and level surface.
- Children should be kept away from the product during assembly to avoid any possible risk of injury.
- This product is suitable for children in the age range of 3 years plus.
- Maximum weight load 100Kg. Do not overload.
- DO NOT place this product near a window as it can be used as a step by the child and cause the child to fall out of the window.
- DO NOT place this product near a window where cords from blinds or curtains could strangle a child.
- Be aware of the risk of open fires and other sources of strong heat in the vicinity of the product.
- DO NOT use power tools in the assembly of this product as there is a risk of over-tightening and consequently splitting of the wood.
- Check all fixtures and fittings regularly and tighten as necessary.
- WARNING. Do not use this bench if any part becomes broken, torn or missing. Please contact GLTC Customer Services on 0344 848 6000 immediately to arrange for suitable replacement parts.

Customer Service:

- If you find that any components are missing or damaged, please do not begin assembly and do not use the item. Please contact GLTC Customer Services on **0344 848 6000** immediately.
- We do stock spare hardware packs at our warehouse, so we should be able to send you a replacement pack immediately if required.

Product Care:

- Wipe clean using a soft damp cloth followed by a dry cloth.
- The painted/lacquered surface is resistant to staining if cleaned immediately, however please protect the surface from contact with ball point pen and indelible style felt markers as the ink is by nature permanent.
- Do NOT use cleaning products which contain ammonia, solvents or abrasive material.
- Do NOT expose the item to extremes of heat and humidity.

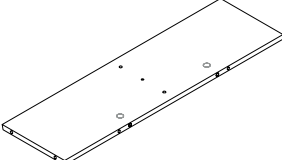
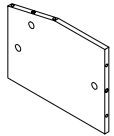
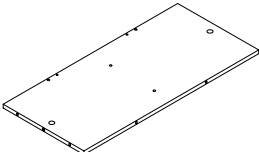
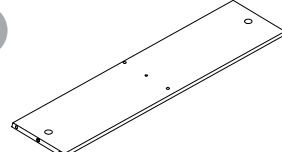
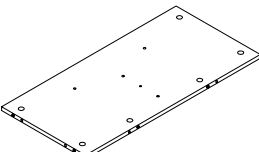
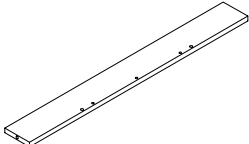
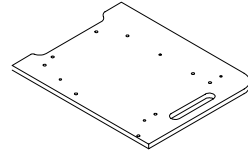
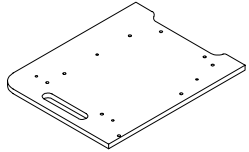
Could we do better?

If there is anything you think could be improved in these instructions or in the assembly of this product we'd be grateful if you could let us know; we'll pass any helpful hints and tips on to other customers via our website and update the instructions.

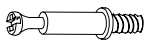

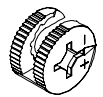
All you need to do is drop us a line at [**instructions@gltc.co.uk**](mailto:instructions@gltc.co.uk)

Thank you

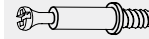
Component Check List

<p>A</p>  <p>x1 Base Panel</p>	<p>B</p>  <p>1x Divider Panel</p>
<p>C</p>  <p>1x Front Panel</p>	<p>D</p>  <p>1x Back Panel</p>
<p>E</p>  <p>1x Top Panel</p>	<p>F</p>  <p>1x Support Bar</p>
<p>G</p>  <p>1x Side Panel</p>	<p>H</p>  <p>1x Side Panel</p>

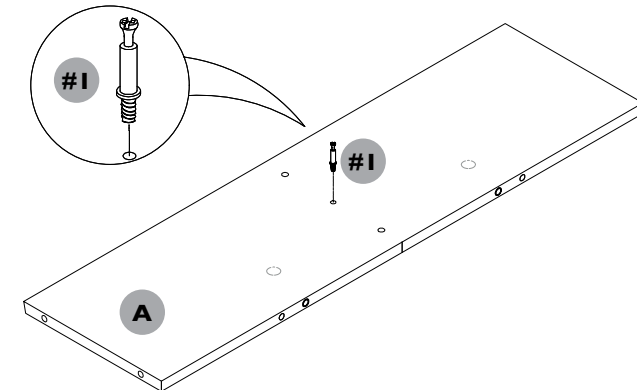
Hardware Check List

<p>#1</p>  <p>15x Cam Dowels</p>	<p>#2</p>  <p>32x Wooden Dowels</p>
<p>#3</p>  <p>15x Cam Locks</p>	

Hardware for Step 1:



1x #1 Cam Dowel



STEP 1:

Please note, you will be building this unit with the back facing up.

Working on a protective surface like a carpet or rug, take base panel (A) and insert 1x cam dowel (#1) into the hole in the centre of the panel with the help of a Philips screwdriver.

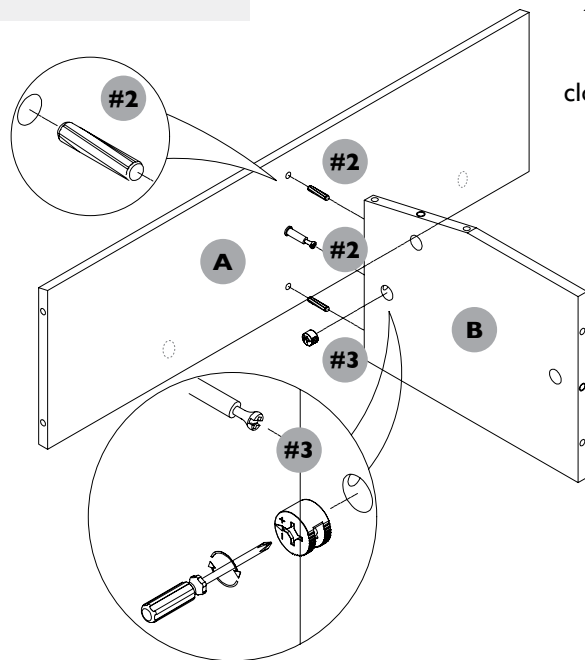
Hardware for Step 2:



2x #2 Wooden Dowels



1x #3 Cam Lock



STEP 2:

Insert 2x wooden dowels (#2) into the holes next to the cam dowel on panel (A).

Now, take divider panel (B) and connect to base panel (A) with the larger drill holes as shown.

Please note that the 3 drill holes on the edge of divider panel (B) must be facing up and at the end that is connecting with base panel (A). If it is not the case, it is in the wrong position.

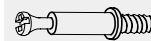
When in place, insert 1x cam lock (#3) into the large hole on panel (B) and turn clockwise to secure.

Using Cam Locks:

When inserting into the panel, ensure that each cam lock's arrow is pointing towards the drill hole on the side edge of the panel & the dowel that it will be receiving.

When the panels are in the connected position, using a screwdriver, turn the cam lock in a clockwise direction to lock and secure.

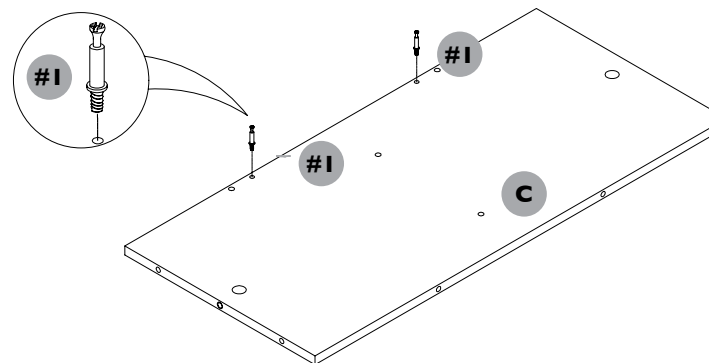
Hardware for Step 3:



2x #1 Cam Dowels

STEP 3:

Using a Philips screwdriver, prepare front panel (C) by inserting 2x cam dowels (#1) on the edge of the panel into the inner holes as shown.



STEP 4:

Now, insert 4x wooden dowels (#2) into the remaining smaller holes on front panel (C) as shown.

Then, take the assembled panels (A) and (B) and connect to front panel (C) with the larger drill holes as shown.

When in place, insert 2x cam locks (#3) into the 2 large holes on panel (A) and turn clockwise to secure.

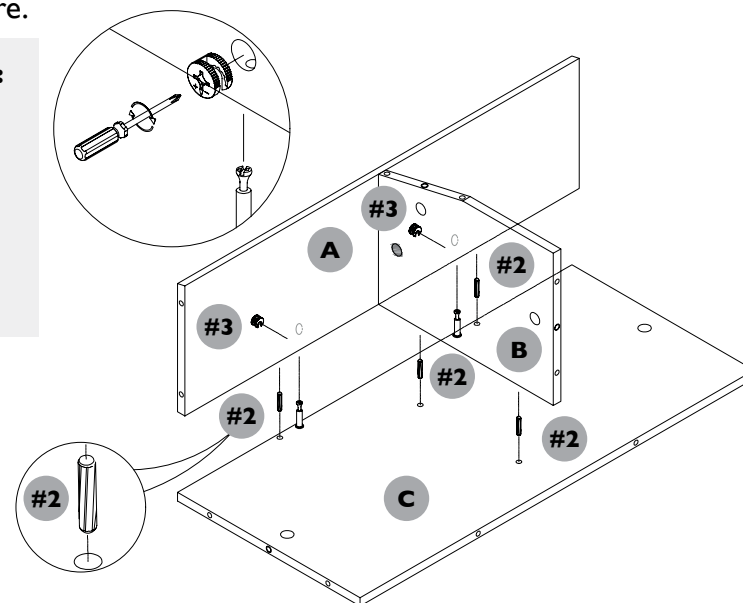
Hardware for Step 4:



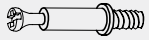
4x #2 Wooden Dowels



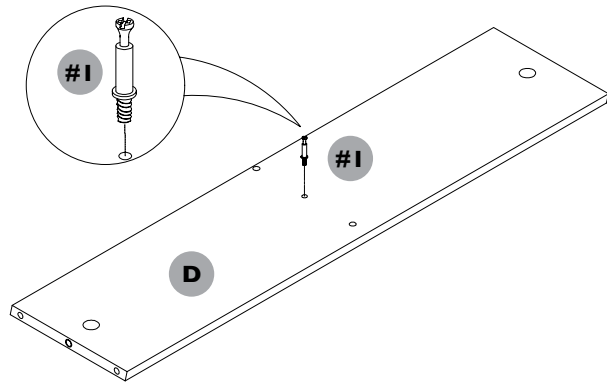
2x #3 Cam Locks



Hardware for Step 5:



1x #1 Cam Dowel



STEP 5:

As completed for step 1, prepare back panel (D) by inserting 1x cam dowel (#1) into the hole in the centre of the panel with the help of a Philips screwdriver.

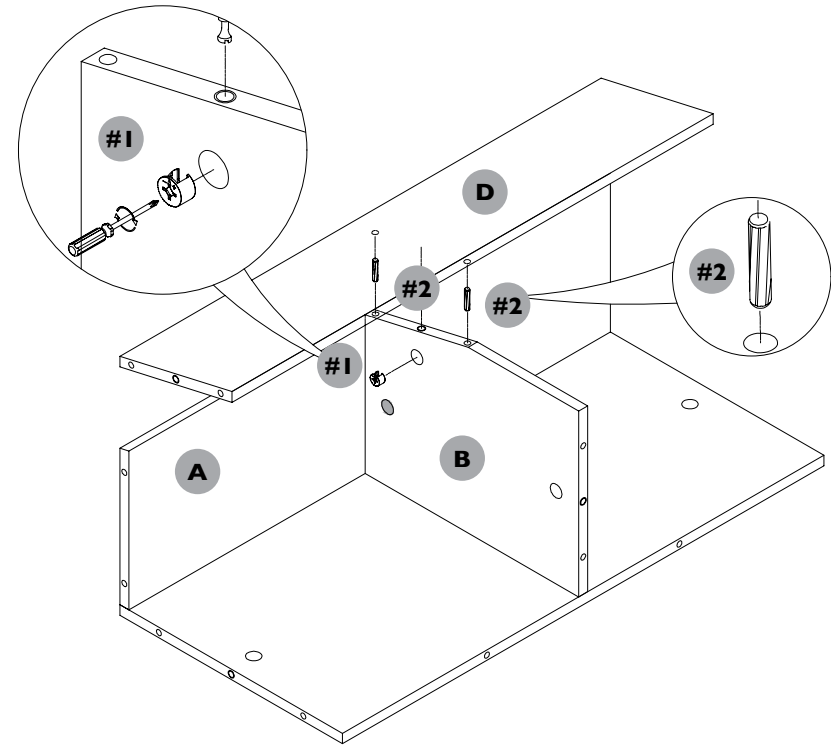
Hardware for Step 6:



2x #2 Wooden Dowels



1x #3 Cam Lock

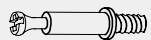


STEP 6:

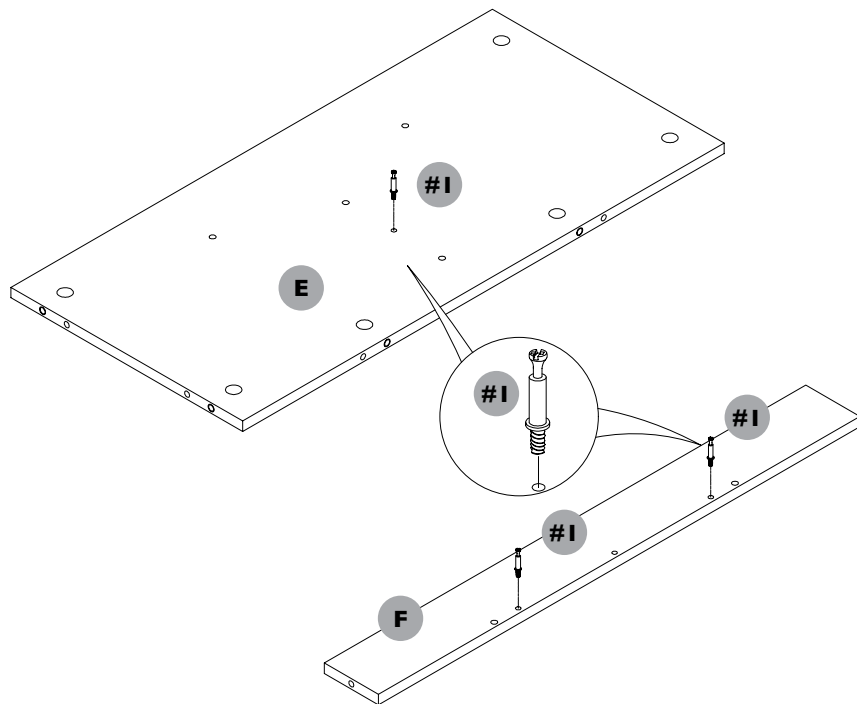
Insert 2x wooden dowels (#2) into the outer holes on the edge of panel (B) as shown.

Connect base panel (D) to divider panel (B) and when in position, insert 1x cam lock (#3) into the large hole on panel (B) and turn clockwise to secure.

Hardware for Step 7:



3x #1 Cam Dowels



STEP 7:

Take top panel (E) and the support bar (F), and insert 3x cam dowels (#1) into the correct holes as indicated.

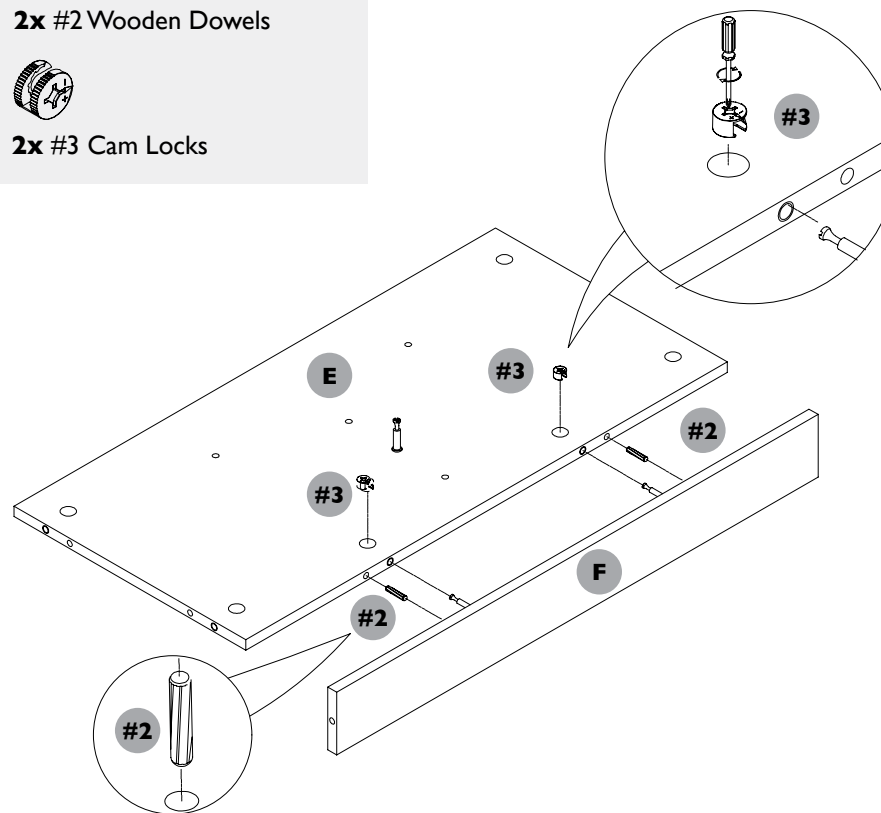
Hardware for Step 8:



2x #2 Wooden Dowels



2x #3 Cam Locks



STEP 8:

Insert 2x wooden dowels (#2) into the outer holes of the long edge of top panel (E).

Connect the support bar (F) to the edge of top panel (E) as shown. When in place, insert 2x cam locks (#3) into the large holes on panel (E) and turn clockwise to secure.

Please note the hardware and drill holes on the top panel should be facing up as shown (this is the underside of the top panel), panel F should be protruding down.

Please refer to the next step 9 to see how the support bar (F) and top panel (E) must look like once assembled.

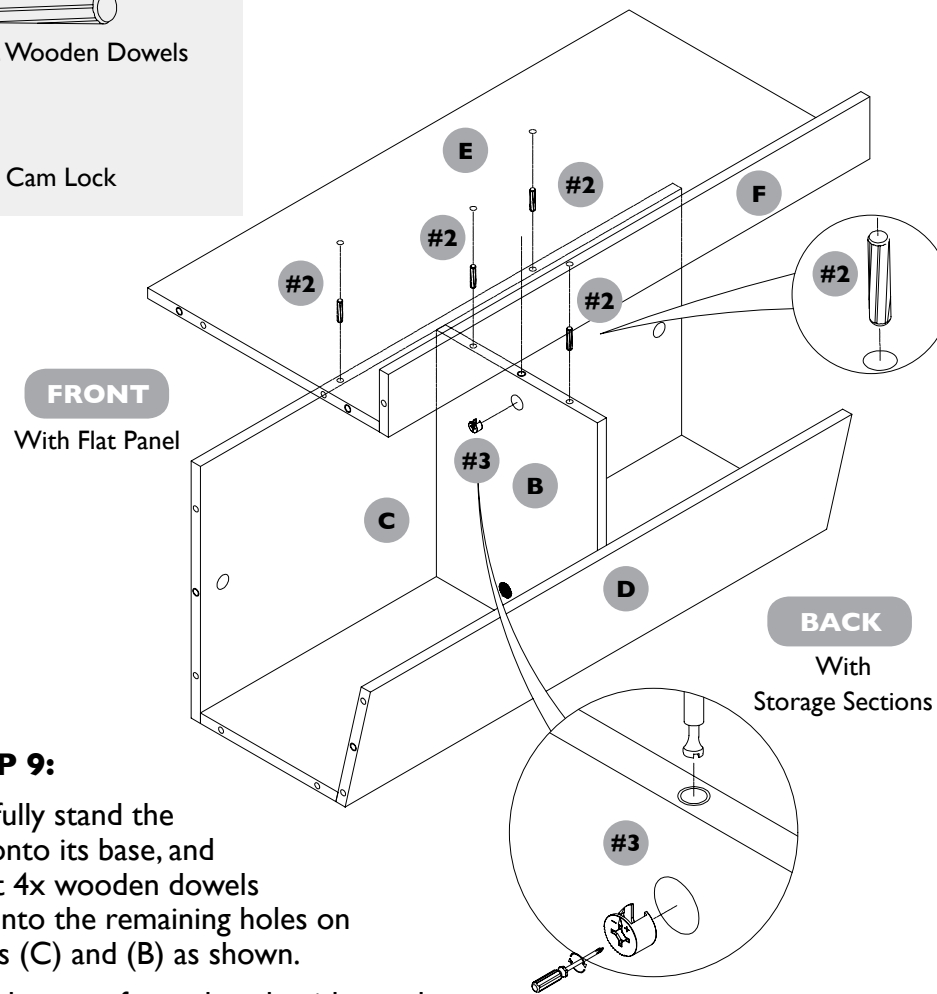
Hardware for Step 9:



4x #2 Wooden Dowels



1x #3 Cam Lock



STEP 9:

Carefully stand the unit onto its base, and insert 4x wooden dowels (#2) into the remaining holes on panels (C) and (B) as shown.

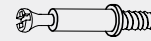
Take the top of your bench with panels (E) and (F) previously assembled, and connect it to the base of your unit.

Please ensure that the support bar (F) is at the back of the unit as shown.

When in position, insert 1x cam lock (#3) into the large hole on panel (B) and turn clockwise to secure.

Please ensure that the support bar (F) is at the back of the unit (above the storage areas) as shown.

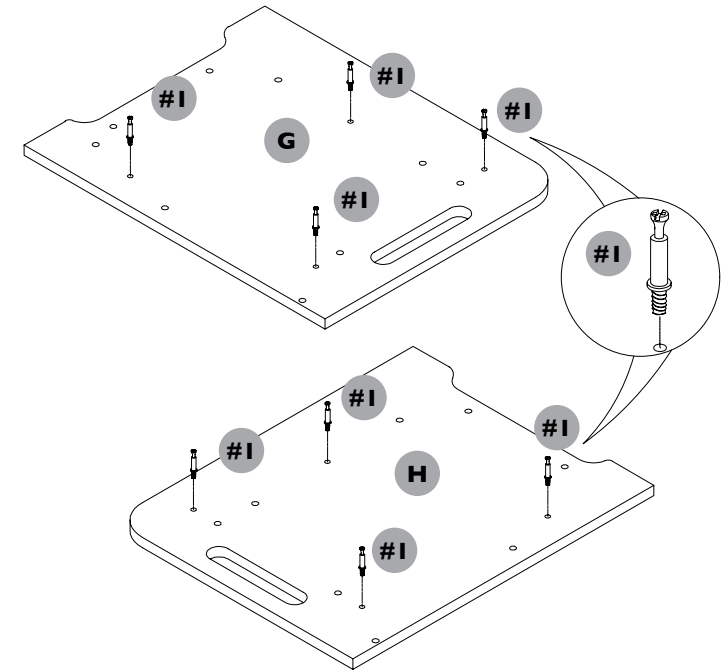
Hardware for Step 10:



8x #1 Cam Dowels

STEP 10:

Prepare side panels (G) and (H) by inserting 8x cam dowels (#1) into the indicated holes.



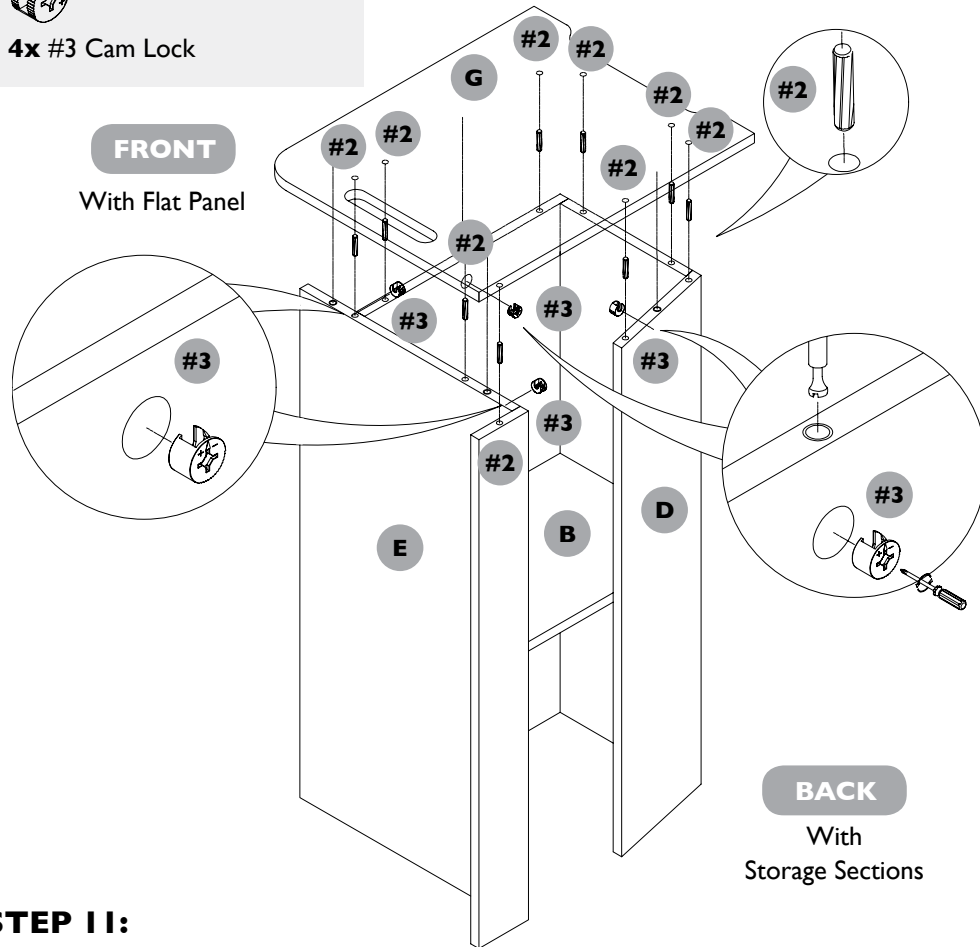
Hardware for Step 11:



9x #2 Wooden Dowels



4x #3 Cam Lock



STEP 11:

Carefully turn the unit on its left side to insert 9x wooden dowels (#2) into the smaller holes on panels (A), (C), (D), (E) and (F).

Then, take side panel (G) and connect it to the rest of the unit ensuring that the curved corner of panel (G) is positioned at the front of the unit (with flat panel) as shown.

Once in position, insert 4x cam locks (#3) into the large holes on panels E (x2), D & C and turn clockwise to secure.

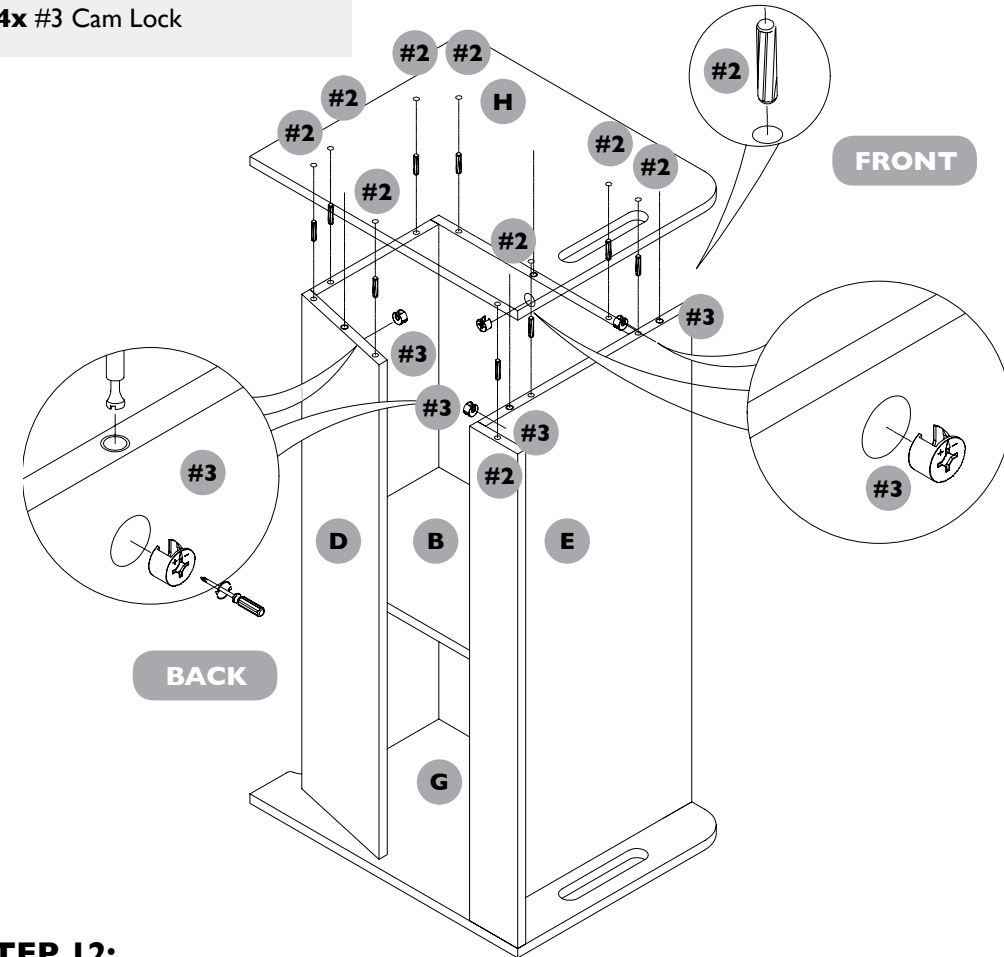
Hardware for Step 12:



9x #2 Wooden Dowels



4x #3 Cam Lock



STEP 12:

Gently turn the unit on its right side, and repeat step 11 to attach side panel (H) using 9x wooden dowels (#2) and 4x cam locks (#3).

STEP 13:

Your product is now ready to use.

