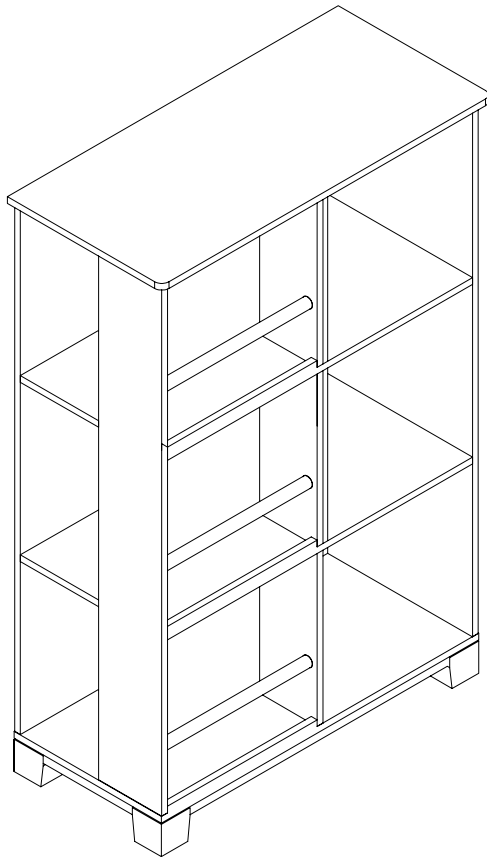




gltc.co.uk

Wonderland Bookcase L5291



Assembly Difficulty



easy - medium - hard



one-person job



27/10/2021

Thank you for shopping with GLTC, we hope you enjoy having this product in your home.

We know assembling furniture, toys or accessories is not everyone's favourite way to spend their time, so we've tried to make assembling this item as quick and painless as possible.

A few important pointers before you start:

- Please read the instructions right through before you start, and check that all the components have been included in the pack; we find separating all the hardware into piles makes it easier to be sure that everything is present and correct.
- Make sure you have the right tools. Allen keys are provided if required, but screw drivers and other tools are not. You'll find details of the tools you need at the beginning of the instructions.
- It's a good idea to build the unit in the room where you are going to be using it, to avoid the need to move it after it's been assembled.
- Do not throw away any packing materials until assembly is complete, just in case you accidentally discard smaller parts or hardware.

Safety Warnings:

- Adult assembly required.
- Unassembled product contains small parts which may present a choking hazard.
- Children should be kept away from the product during assembly to avoid any possible risk of injury.
- Assemble and use on a flat and level surface.
- DO NOT use power tools in the assembly of this product as there is a risk of over-tightening and consequently splitting of the wood.
- Maximum shelf weight: 15 Kgs. Maximum overall weight 80 Kgs. DO NOT overload.
- To avoid possible injury from tipping, DO NOT allow children to climb on the product.
- **WARNING! FURNITURE TIPPING RISK.** Serious or fatal crushing injuries can occur from furniture tipping over. Ensure you secure this furniture product to the wall before you use it, using the kit provided.
- If you have not received an anti-tip kit with your product please contact Customer services.
- Wall fixings not included. Please use appropriate fixings that are suitable for the wall type. If in doubt, please seek professional advice.
- Check all fixtures and fittings regularly and tighten as necessary.
- **PLEASE RETAIN THESE INSTRUCTIONS FOR FUTURE REFERENCE.**

Customer Service:

- If you find that any components are missing or damaged, please do not begin assembly and do not use the item. Please contact GLTC Customer Services on **0344 848 6000** immediately.
- We do stock spare hardware packs at our warehouse, so we should be able to send you a replacement pack immediately if required.

Product Care:

- Wipe clean using a soft damp cloth followed by a dry cloth.
- Do NOT use cleaning products which contain ammonia, solvents or abrasive material.
- Do NOT expose the item to extremes of heat and humidity.
- Regularly check all fastenings, fixtures and fittings to ensure that they are properly tightened.

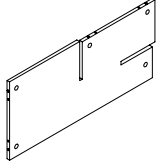
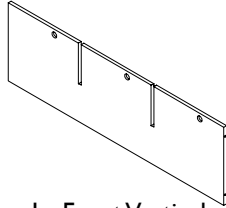
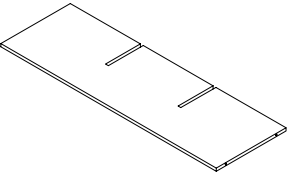
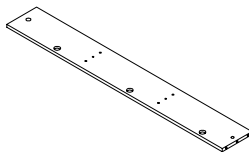
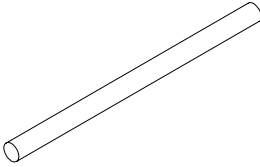
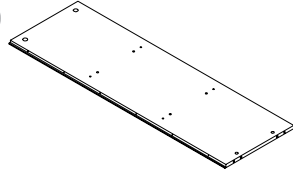
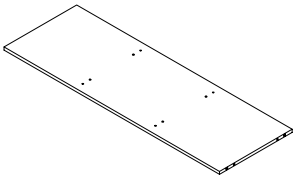
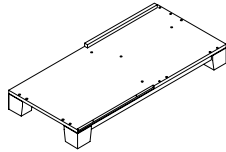
Could we do better?

If there is anything you think could be improved in these instructions or in the assembly of this product we'd be grateful if you could let us know; we'll pass any helpful hints and tips on to other customers via our website and update the instructions.

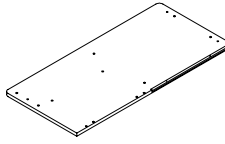
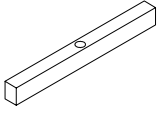
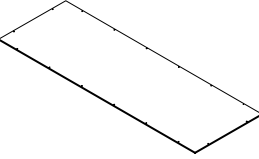
All you need to do is drop us a line at [**instructions@gltc.co.uk**](mailto:instructions@gltc.co.uk)

Thank you

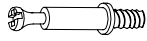




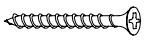


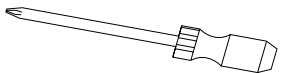
Component Check List

<p>A</p>  <p>2x Shelves</p>	<p>B</p>  <p>1x Front Vertical Divider</p>
<p>C</p>  <p>1x Side Vertical Divider</p>	<p>D</p>  <p>1x LH Side Panel (Storage Side)</p>
<p>E</p>  <p>3x Wooden Poles</p>	<p>F</p>  <p>1x RH Side Panel (Full Depth)</p>
<p>G</p>  <p>1x Back Panel (Side Storage)</p>	<p>H</p>  <p>1x Base Panel</p>

Component Check List

<p>I</p>  <p>1x Top Panel</p>	<p>J</p>  <p>2x Batons</p>
<p>K</p>  <p>1x Back Panel (Main Storage)</p>	

Hardware Check List

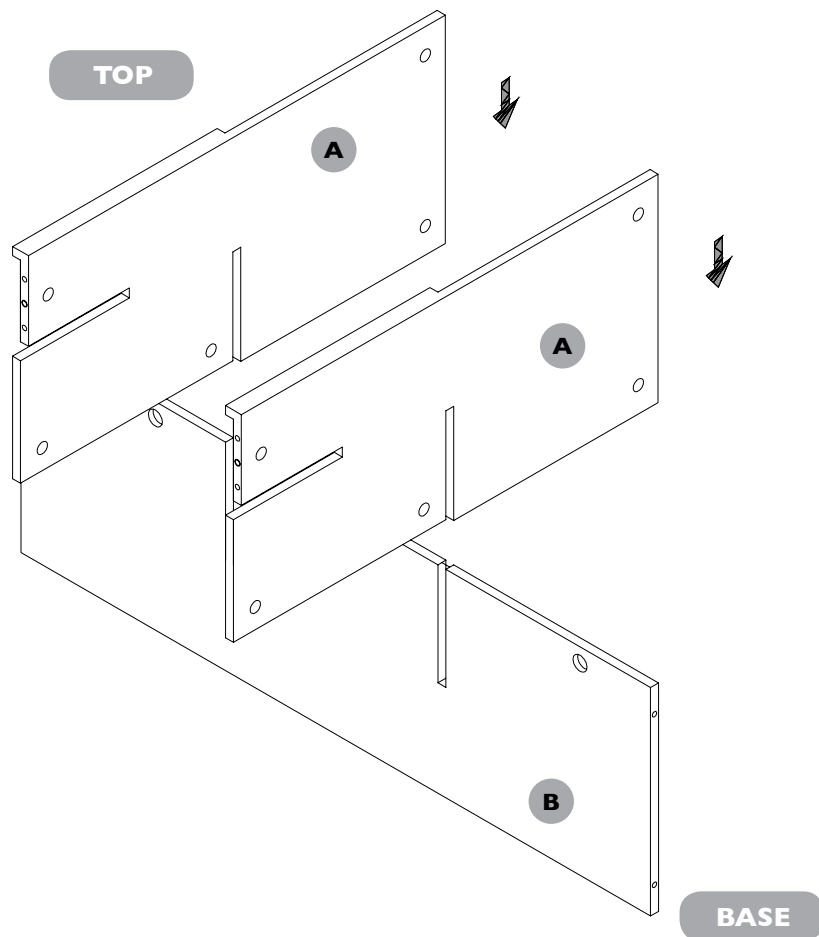
<p>#1</p>  <p>x 17 Cam Dowels</p>	<p>#2</p>  <p>x 36 Wooden Dowels</p>
<p>#3</p>  <p>x 17 Cam Locks</p>	<p>#4</p>  <p>x3 Crosshead Bolts</p>
<p>#5</p>  <p>x3 Barrel Nuts</p>	<p>#6</p>  <p>x2 Wood Screws (25mm)</p>
<p>#7</p>  <p>x14 Screws</p>	<p>#8</p>  <p>x1 Anti-Tip Kit</p>
	<p>You will need (not supplied)</p>  <p>Philips Head Screwdriver</p>

STEP 1:

Working on a protective surface like a carpet or a rug, take front vertical divider panel (B) and position with the slots facing up and the large drill holes on the side facing left (as shown).

Now take one shelf panel (A) and slot together with panel (B) as shown. Ensure the shelf is positioned with the upstand facing towards the top, drill holes facing down and the second slot on the short side pointing left.

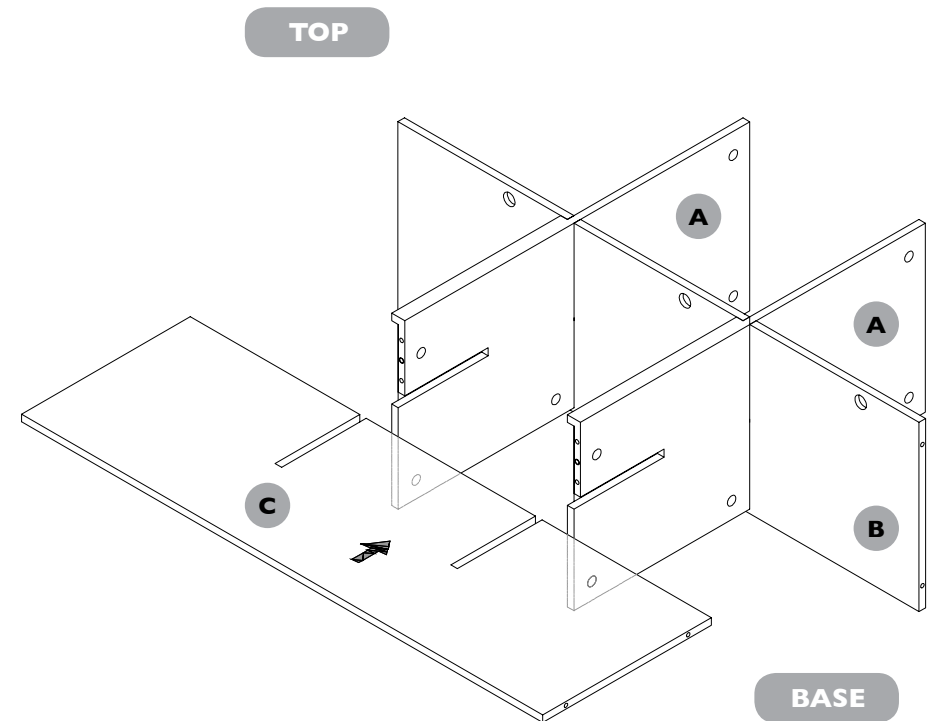
Repeat with 2nd shelf panel (A).



STEP 2:

Take the side vertical divider panel (C) and push into the slots on the 2x shelves (A) on the left hand side.

Ensure panel (C) is positioned with any drill holes facing the floor before slotting into place.



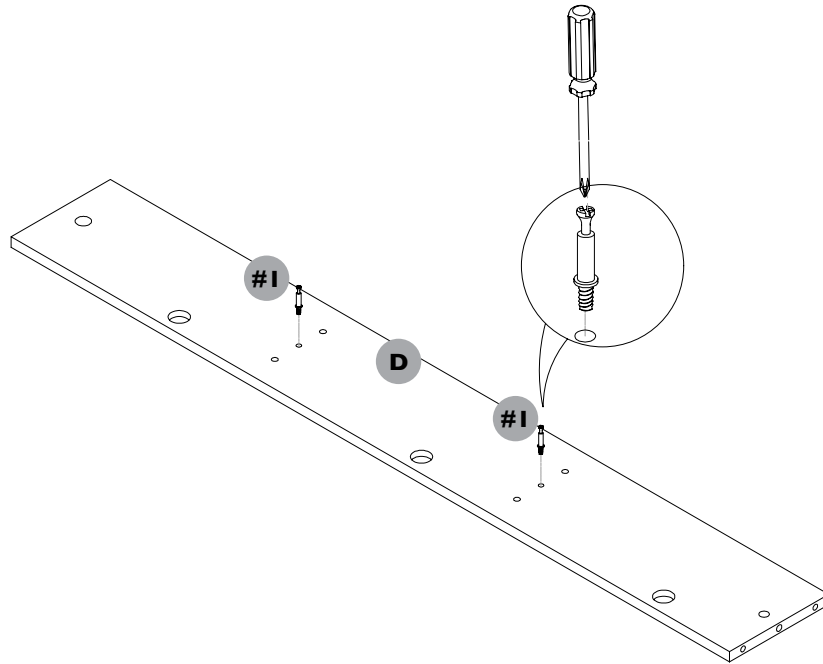
Hardware for Step 3:



2x #1 Cam Dowels

STEP 3:

Prepare LH side panel (D) by inserting 2x cam dowels (#1) into the central drill holes as shown using a Phillips screwdriver.



STEP 4:

Adding the wooden poles and the book storage side panel.

Firstly, add 2x wooden dowels (#2) into the outer holes in the ends of BOTH shelf panels (A).

Now place the 3x wooden poles (E) into the drill holes on the side of the central divider resting the other end on panel C whilst you prepare to join panel D to the unit.

Position side panel (D) with the smaller drill holes at the end of the panel at the base end (this is not shown, but do check). Align the hardware on panel D with the shelf ends and also the large drill holes with the wooden poles and push panel into place. Ensure the poles are in place at both ends and then insert 2x cam locks (#3) into the drill holes on the underside of BOTH shelf panels (A). Turn clockwise to secure the panel.

Hardware for Step 4:



4x #2 Wooden Dowels

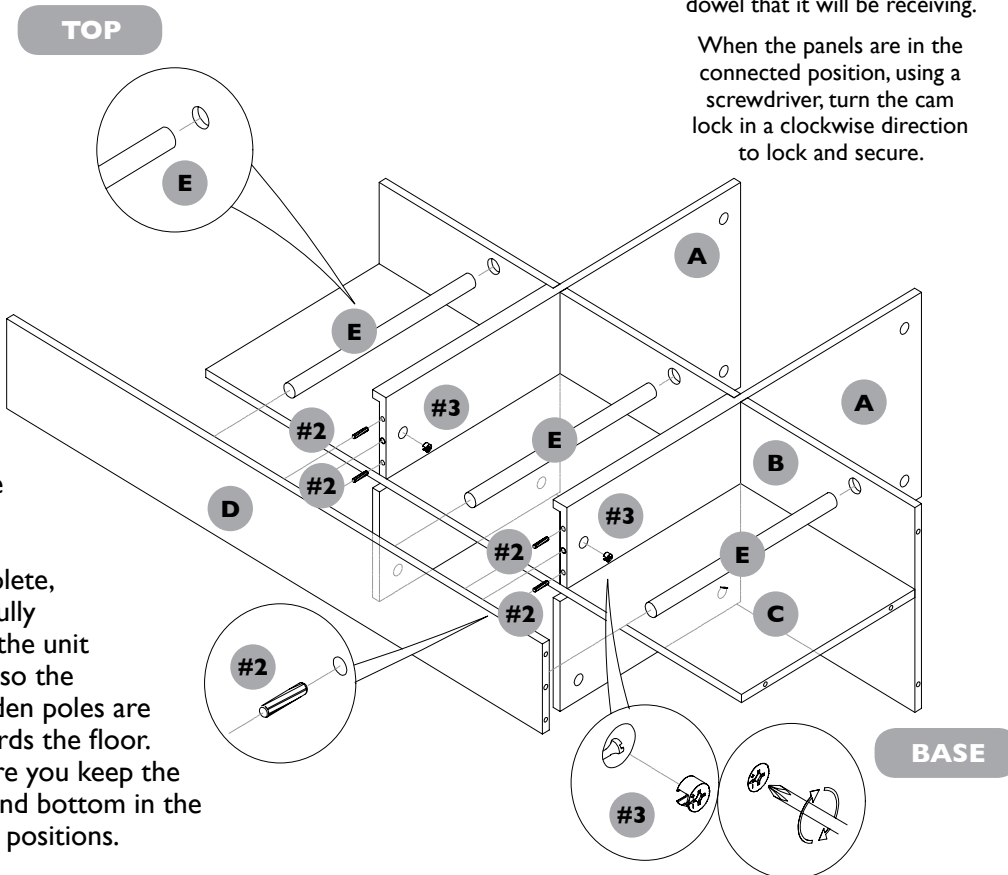


2x #3 Cam Locks

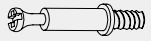
Using Cam Locks:

When inserting into the panel, ensure that each cam lock's arrow is pointing towards the drill hole on the side edge of the panel & the dowel that it will be receiving.

When the panels are in the connected position, using a screwdriver, turn the cam lock in a clockwise direction to lock and secure.



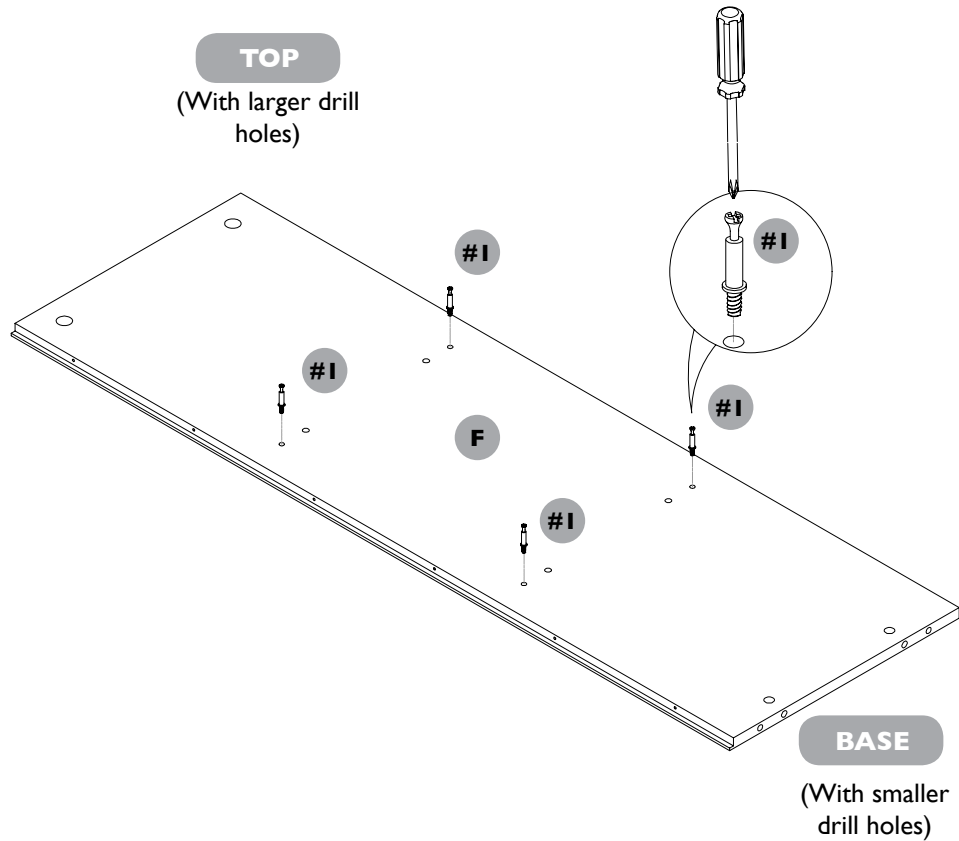
Once step 4 is complete, carefully turn the unit over so the wooden poles are towards the floor. Ensure you keep the top and bottom in the same positions.

Hardware for Step 5:

4x #1 Cam Dowels

STEP 5:

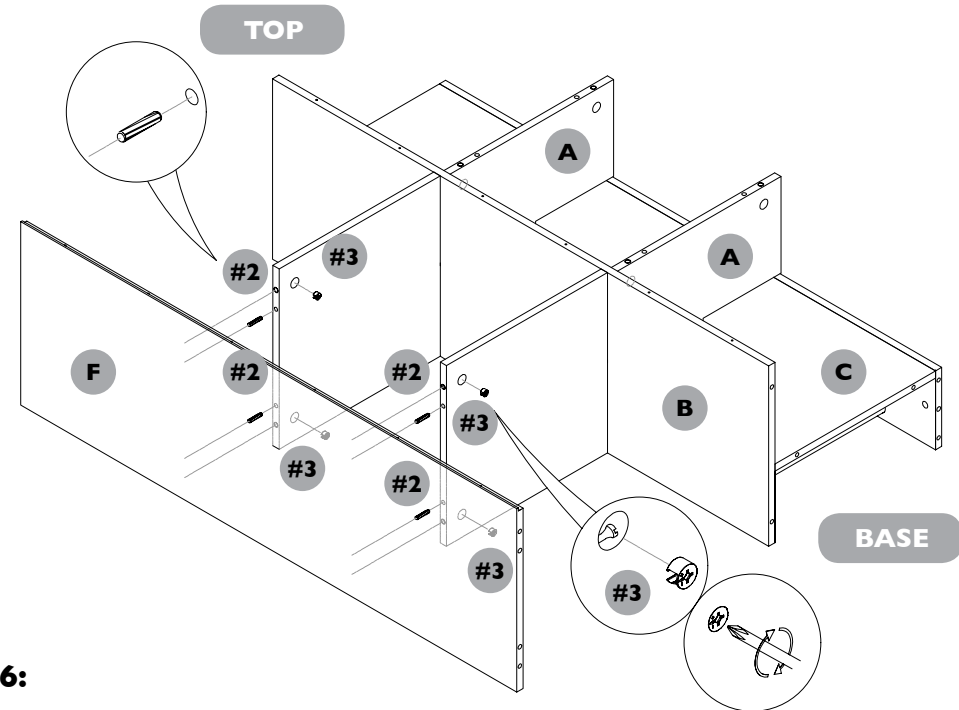
Prepare the RH Side panel (F) by inserting 4x cam dowels (#1) into the outer holes on each set of drill holes.

**Hardware for Step 6:**

4x #2 Wooden Dowels



4x #3 Cam Locks

**STEP 6:**

The unit is now facing with its BACK UP.

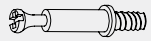
Insert 2x wooden dowels (#2) into the inner holes in the ends of BOTH shelf panels (A).

Take RH side panel (F) and position with the recessed edge facing up and smaller drill holes on the face of the panel at the base end.

Align the hardware on panel F with the shelf ends and push into place.

Insert 2x cam locks (#3) into the large drill holes on the underside of BOTH shelf panels (A). Turn clockwise to secure in place.

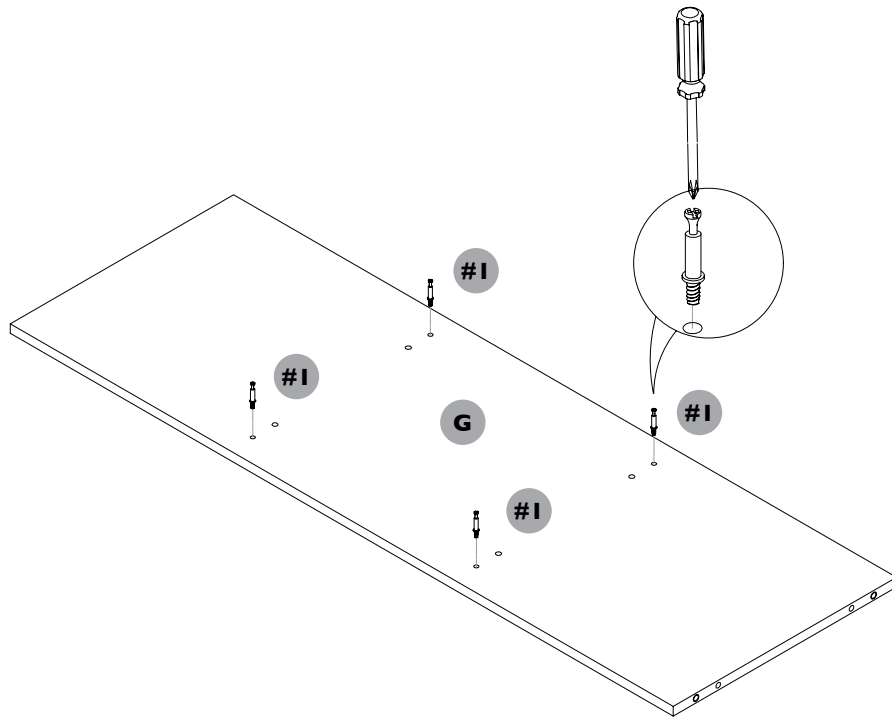
Hardware for Step 7:



4x #1 Cam Dowels

STEP 7:

Prepare the thicker back panel (G) by inserting 4x cam dowels (#1) into the outer holes on each set of drill holes.



Hardware for Step 8:



4x #2 Wooden Dowels



4x #3 Cam Locks



1x #5 Barrel Nut

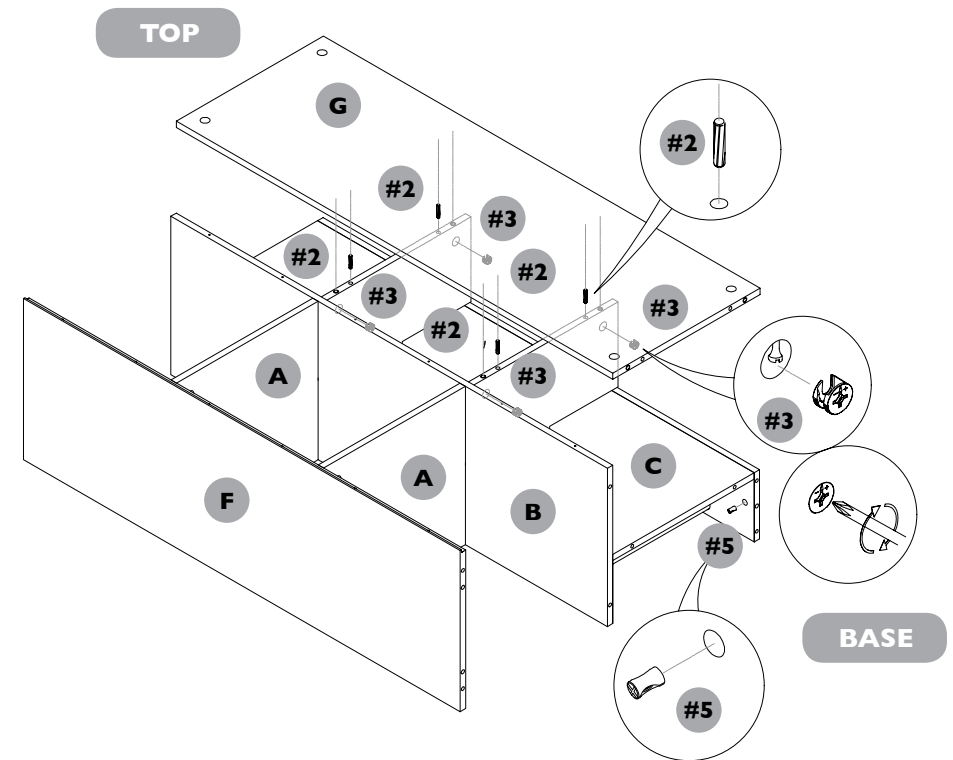
STEP 8:

Insert 2x wooden dowels (#2) into the inner holes on the edges of BOTH shelf panels (A).

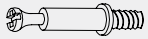
Position panel G with the large drill holes facing up/outwards and align the hardware on the underside with the edges of both shelf panels (A). Push into place.

Now insert 2x cam locks (#3) into the large drill holes on the underside of BOTH shelf panels (A). These will now be inside the unit. Ensure you insert all 4 cam locks (#3) and turn clockwise to secure in place.

Finally, insert 1x barrel nut (#5) into the visible hole on the inside face of panel D at the base end as shown. This will be needed in a later step.



Hardware for Step 9:



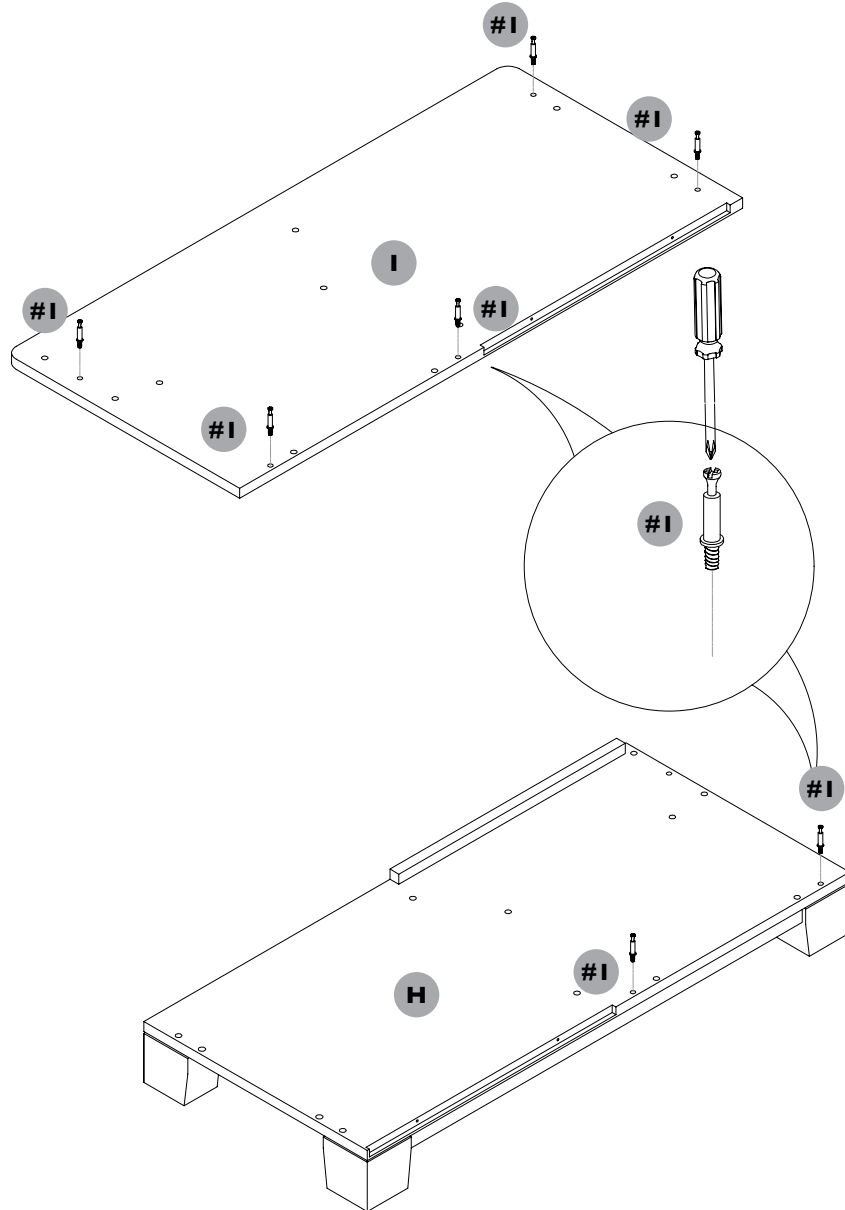
7x #1 Cam Dowels

STEP 9:

Take top panel (I) and base panel (H) and position with the drill holes facing up.

Insert 5x cam dowels (#1) into the holes shown on top panel (I).

Then insert 2x cam dowels (#1) into the holes shown on base panel (H).



STEP 10:

Add the base panel.

Start by inserting 2x barrel nuts (#5) into the holes on the inside face of side panel (F).

Now insert 10x wooden dowels (#2) into the following panels:

- F & G: 2x #2 in the inner holes of panel ends.
- D: 2x #2 in the outer holes of panel end.
- B & C: 2x #2 into the holes on the panel ends.

Align the hardware on base panel (H) with the holes of the panel on the built unit and push into position.

Hardware for Step 10:



10x #2 Wooden Dowels



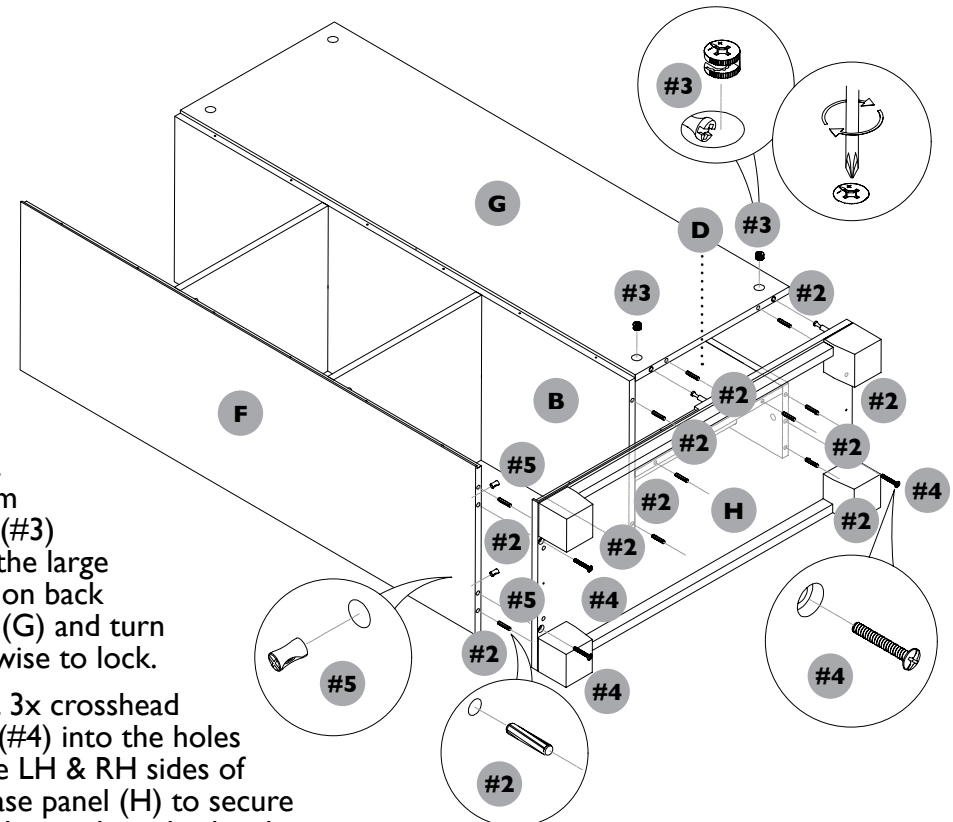
2x #3 Cam Locks



2x #5 Barrel Nuts

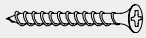


3x #4 Crosshead Bolts



Insert 2x cam locks (#3) onto the large holes on back panel (G) and turn clockwise to lock.

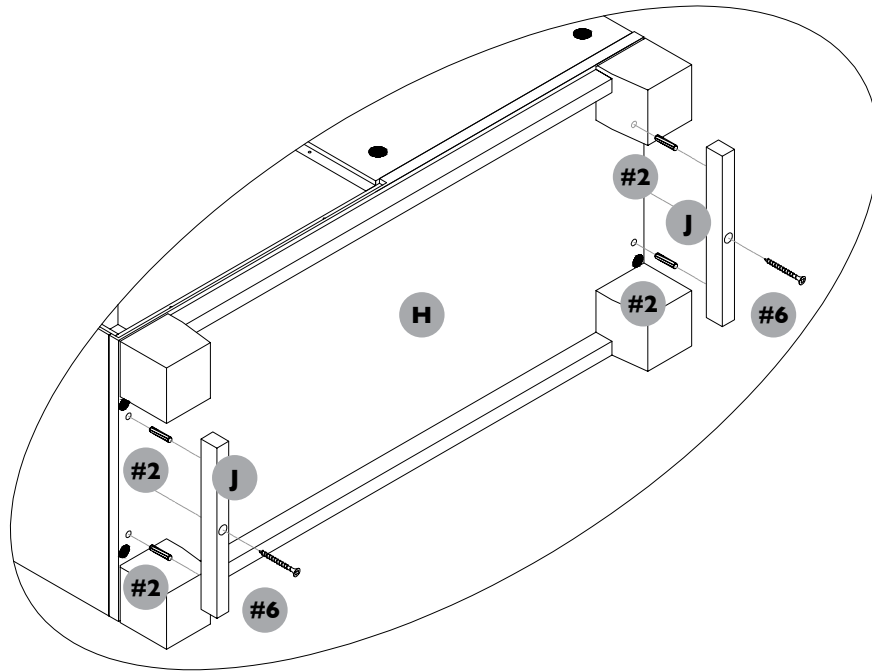
Insert 3x crosshead bolts (#4) into the holes on the LH & RH sides of the base panel (H) to secure the side panels on both sides.

Hardware for Step 11:**4x #2 Wooden Dowels****2x #6 Wood Screw (25mm)****STEP 11:**

Attach the 2x batons (J) on each side of the base panel.

Insert 2x wooden dowels (#2) into the holes next to the feet. Push the baton into position and fix in place with 1x screw (#6) using a Phillips screwdriver.

Repeat on remaining side.

**STEP 12:**

Attach the top panel.

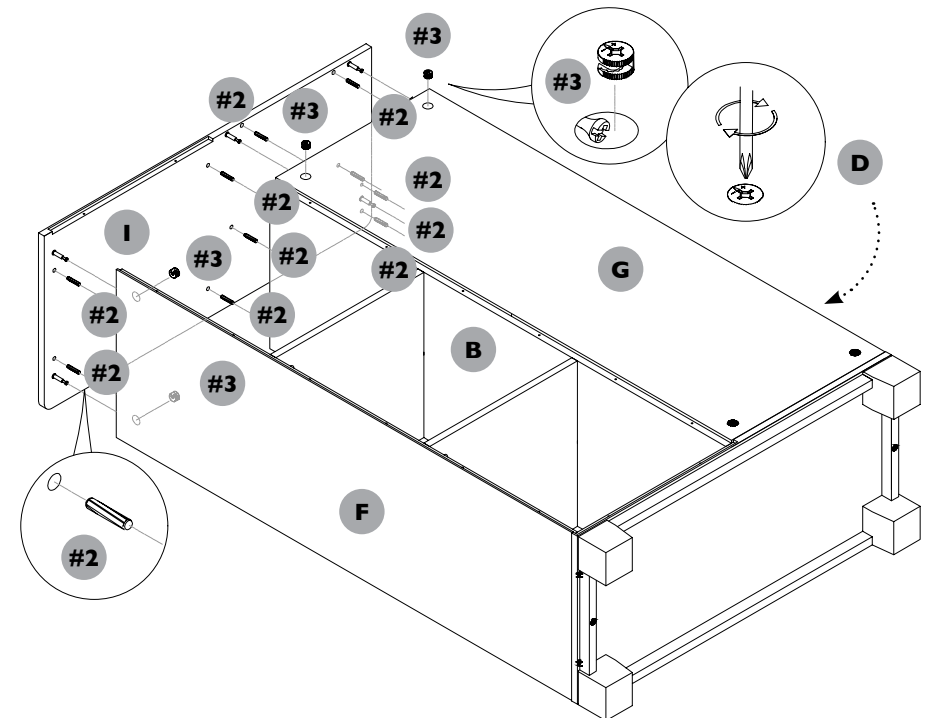
Insert 10x wooden dowels (#2) into the following panels:

- F & G: 2x #2 in the inner holes of panel ends.
- D: 2x #2 in the outer holes of panel end.
- B & C: 2x #2 into the holes on the panel ends.

Orientate top panel (I) with the recessed section facing up as shown.

Align the hardware on top panel (I) with the holes of the panel on the built unit and push into position.

Insert 2x cam locks (#3) onto the large holes on back panel (G) and 2x cam locks (#2) on the inside face of side panel (F) and turn clockwise to lock.

Hardware for Step 12:**10x #2 Wooden Dowels****4x #3 Cam Locks**

Hardware for Step 13:



14x #7 Back Panel Screws

STEP 13:

Attach the remaining back panel.

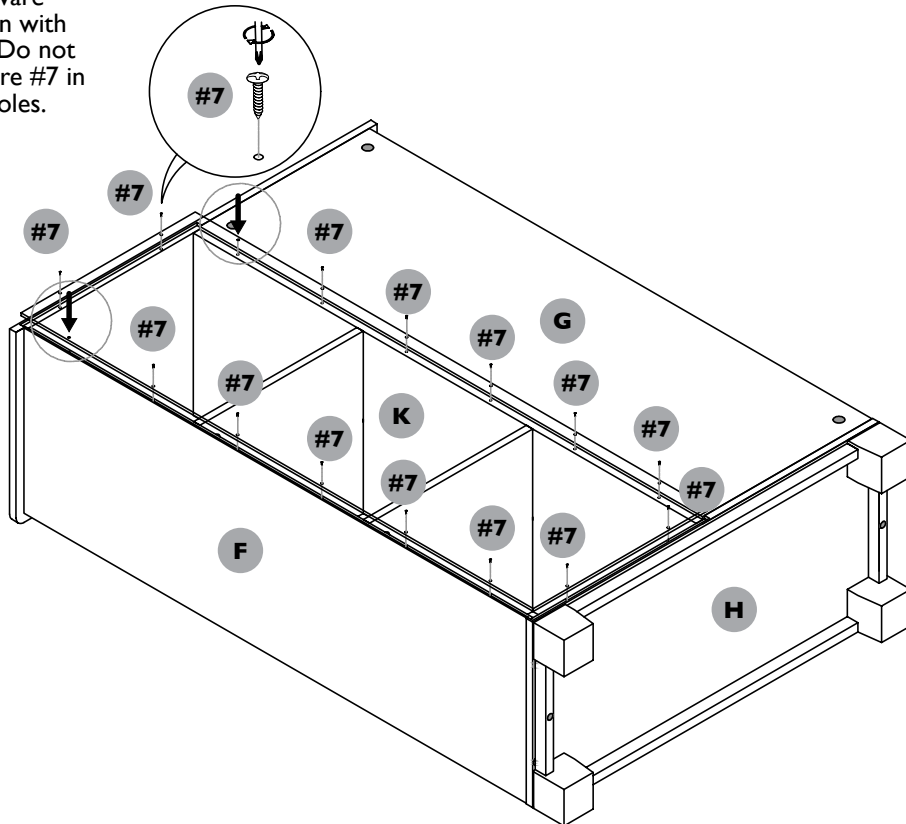
Position back panel (K) on the unit and check the alignment of the holes in the panel with those on the unit.

Using your Philips screwdriver, fix the panels in place with x14 screws (#7).

Please note that the 2x pilot holes indicated at the top of the unit are to attach the anti-tip kit included separately with this item.

Please note:

These arrows indicate the drill holes used for the anti-tip kit brackets & hardware included in with your unit. Do not use hardware #7 in these holes.



STEP 14:

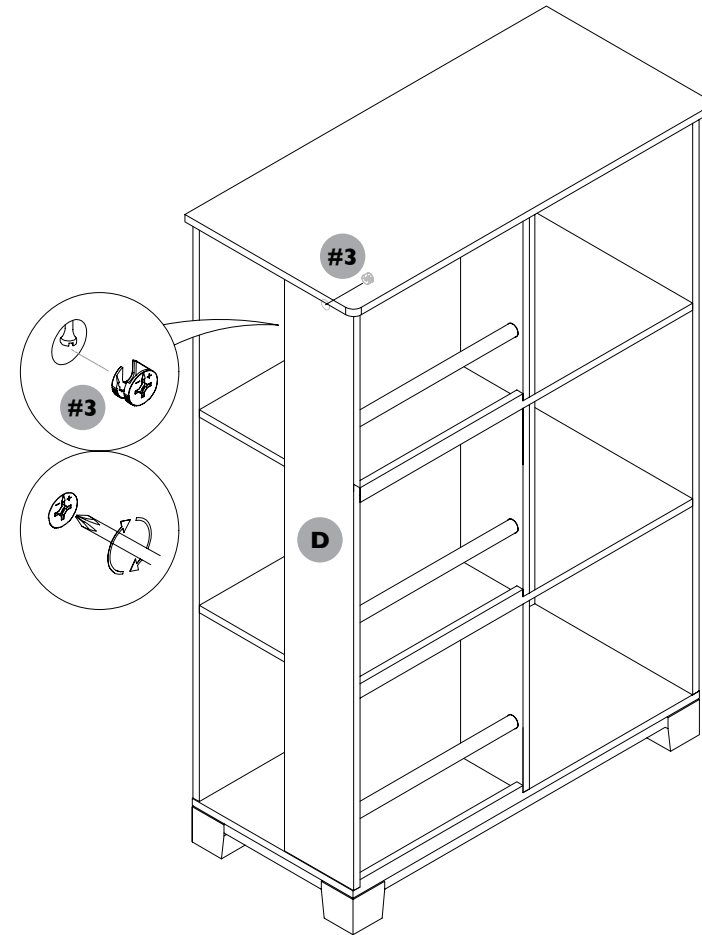
Carefully stand the unit up on its feet.

Add the final cam lock into the drill hole on the inside of side panel (D), it is accessed through the upper book storage area. Turn clockwise to lock.

Hardware for Step 14:



1x #3 Cam Lock



Hardware for step 15:



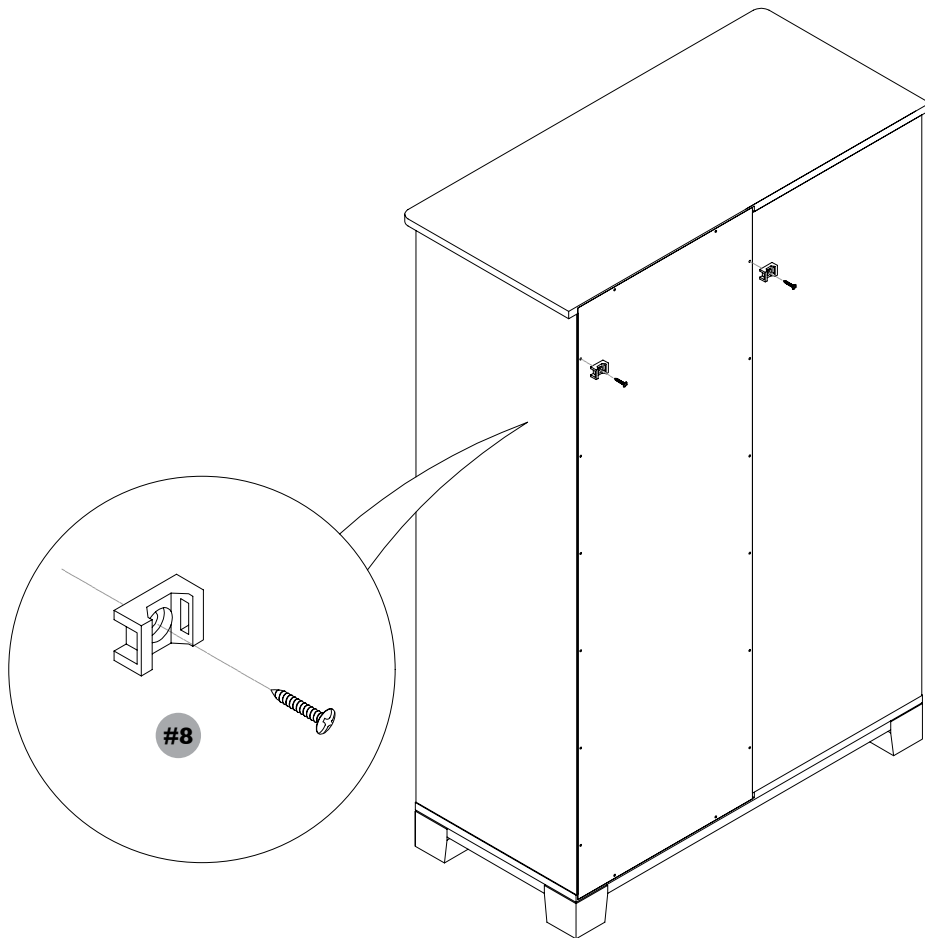
1X #8 Anti-Tip Kit

STEP 15:

We strongly recommend that you attach this unit to the wall to prevent injury from the unit tipping over.

Attach the 2x anti-tip brackets to your unit using the hardware and instructions included in the kit (#8) provided with your unit. Please use the screw holes shown.

Your unit is now ready to be attached to the wall using hardware that is suitable for the walls in your home.



Your product is now ready to use

