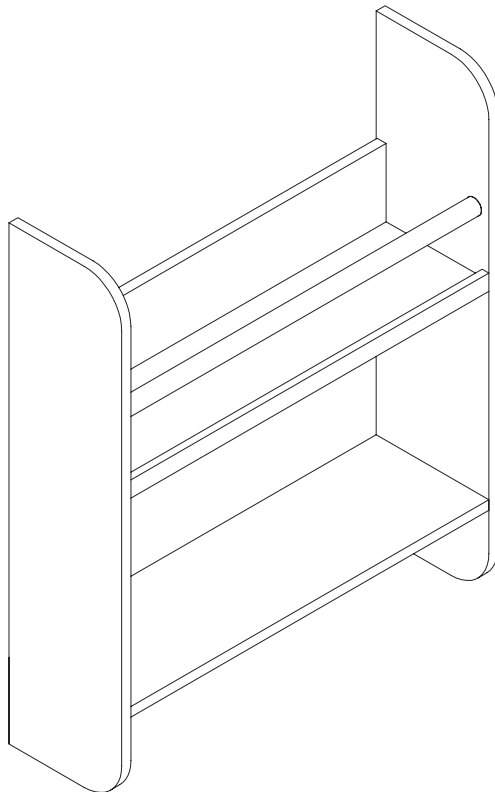


**Great
Little**
Trading Co.

gltc.co.uk

Display Wall Shelf L5268



Assembly Difficulty



easy - medium - hard



one-person job

VI

12/10/2021

Thank you for shopping with GLTC, we hope you enjoy having this product in your home.

We know assembling furniture, toys or accessories is not everyone's favourite way to spend their time, so we've tried to make assembling this item as quick and painless as possible.

A few important pointers before you start:

- Please read the instructions right through before you start, and check that all the components have been included in the pack; we find separating all the hardware into piles makes it easier to be sure that everything is present and correct.
- Make sure you have the right tools. Allen keys are provided if required, but screw drivers and other tools are not. You'll find details of the tools you need at the beginning of the instructions.
- It's a good idea to build the unit in the room where you are going to be using it, to avoid the need to move it after it's been assembled.
- Do not throw away any packing materials until assembly is complete, just in case you accidentally discard smaller parts or hardware.

Safety Warnings:

- Adult assembly required.
- Assembly to be carried out by a competent adult only. During assembly children should be kept away from the product due to possible risk of injury. Do not use this item if any components are missing or damaged.
- In an unassembled state product contains small parts which may pose a choking hazard, not suitable for children under 3 years.
- DO NOT use power tools in the assembly of this product as there is a risk of over-tightening and consequently splitting of the wood.
- DO NOT let children climb or hang on shelves.
- We do not recommend placing heavy objects directly over your child's head or bed as falling objects may cause injury.
- Max Shelf Loading: 20kgs. DO NOT overload.
- Wall fixings not included. Please use appropriate fixings that are suitable for the wall type. If in doubt, please seek professional advice.
- Regularly check all fixtures and fittings to ensure that they properly tightened and tighten as necessary.
- PLEASE RETAIN THESE INSTRUCTIONS FOR FUTURE REFERENCE.

Customer Service:

- If you find that any components are missing or damaged, please do not begin assembly and do not use the item. Please contact GLTC Customer Services on **0344 848 6000** immediately.
- We do stock spare hardware packs at our warehouse, so we should be able to send you a replacement pack immediately if required.

Product Care:

- Wipe clean using a soft damp cloth followed by a dry cloth.
- Do NOT use cleaning products which contain ammonia, solvents or abrasive material.
- Do NOT expose the item to extremes of heat and humidity.

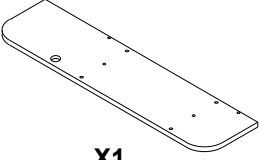
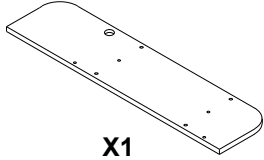
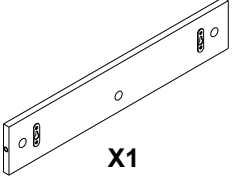
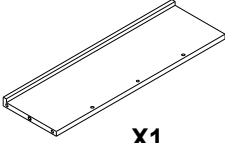
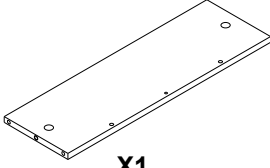
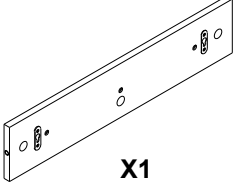
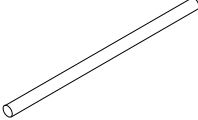
Could we do better?

If there is anything you think could be improved in these instructions or in the assembly of this product we'd be grateful if you could let us know; we'll pass any helpful hints and tips on to other customers via our website and update the instructions.

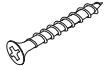

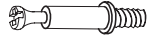


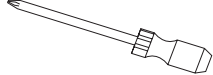
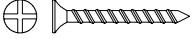
All you need to do is drop us a line at instructions@gltc.co.uk

Thank you

Component Check List

<p>A</p>  <p>X1</p>	<p>B</p>  <p>X1</p>
<p>C</p>  <p>X1</p>	<p>D</p>  <p>X1</p>
<p>E</p>  <p>X1</p>	<p>F</p>  <p>X1</p>
<p>G</p>  <p>X1</p>	

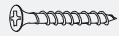
Hardware Check List

<p>#1</p>  <p>3x screws 25mmL</p>	<p>#2</p>  <p>3x Wooden Hooks</p>
<p>#3</p>  <p>10x Cam Dowel 35mmL</p>	<p>#4</p>  <p>12x Wooden Dowels 25mmL</p>
<p>#5</p>  <p>10x Cam Locks</p>	
<p>You will need (not supplied)</p>  <p>Philips Head Screwdriver</p>	<p>4x Wall Fixings (NOT INCLUDED)</p>  <p>We suggest using M4x38mm flat head screws or screws of a similar size. Please ensure to use the appropriate wall fixing for your wall type. If in doubt, please seek professional advice.</p>

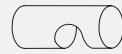
STEP 1:

Attach 3x wooden hooks (#2) to panel F using 3x screws (#1).

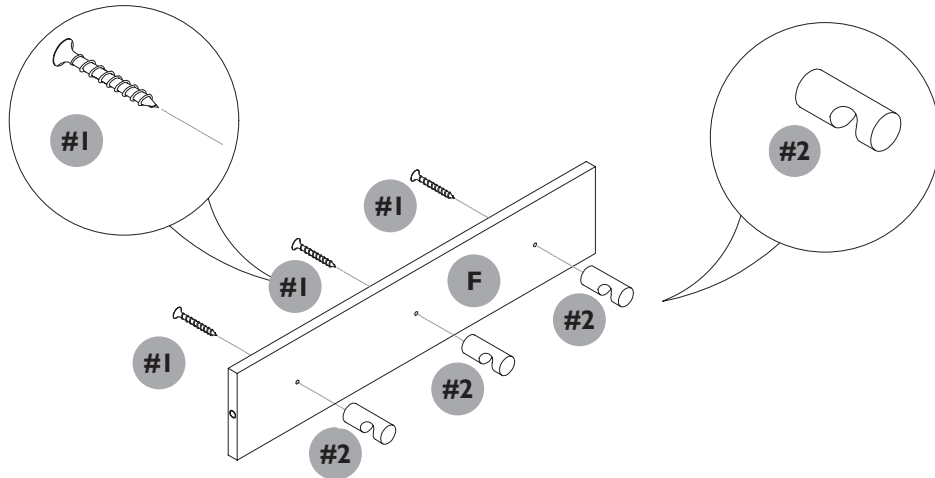
Hardware for Step 1:



3x #1 Screws



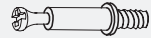
3x #2 Wooden Hooks



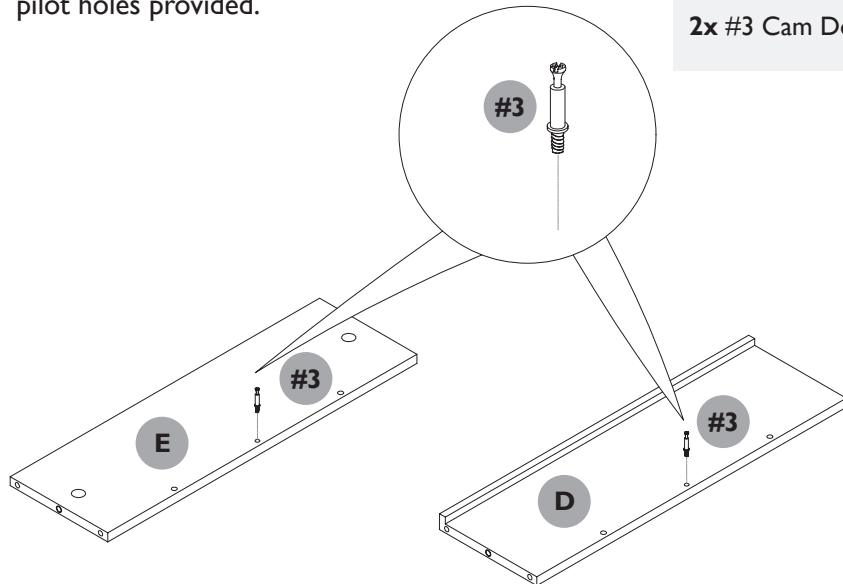
STEP 2:

Insert 2x cam dowel (#3) into panels D and E in the pilot holes provided.

Hardware for Step 2:



2x #3 Cam Dowels



Hardware for Step 3:



1x #5 Cam Lock

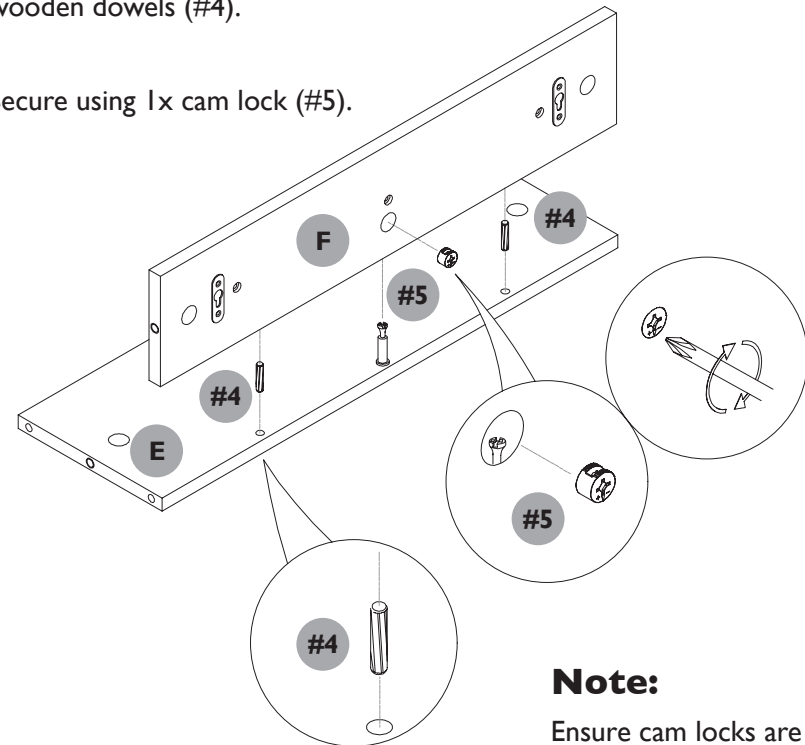


2x #4 Wooden Dowels

STEP 3:

Attach panel F to panels E using 2x wooden dowels (#4).

Secure using 1x cam lock (#5).



Note:

Ensure cam locks are fully tightened.

Hardware for Step 4:



1x #5 Cam Lock

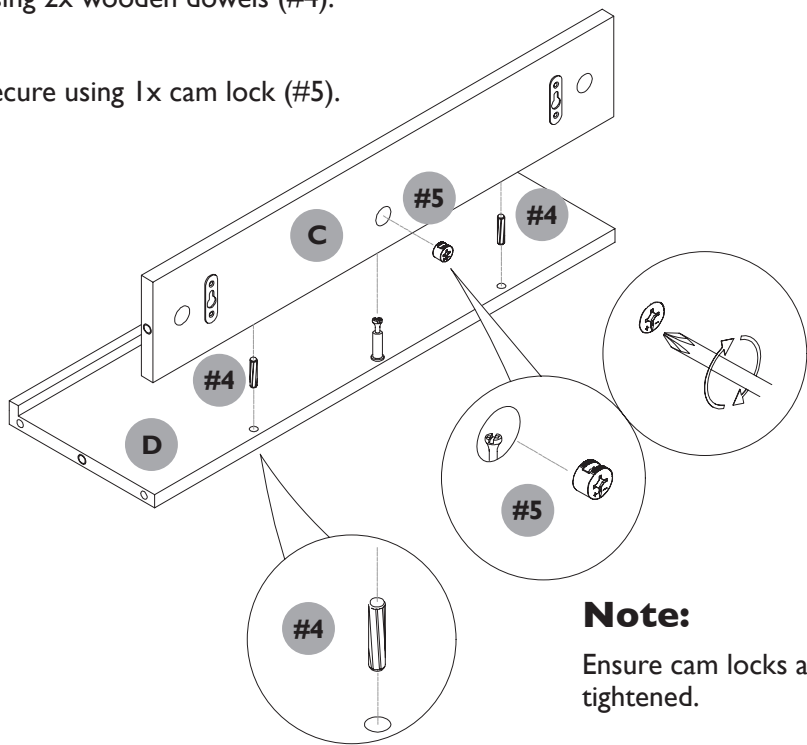


2x #4 Wooden Dowels

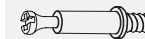
STEP 4:

Attach panel C to panel D using 2x wooden dowels (#4).

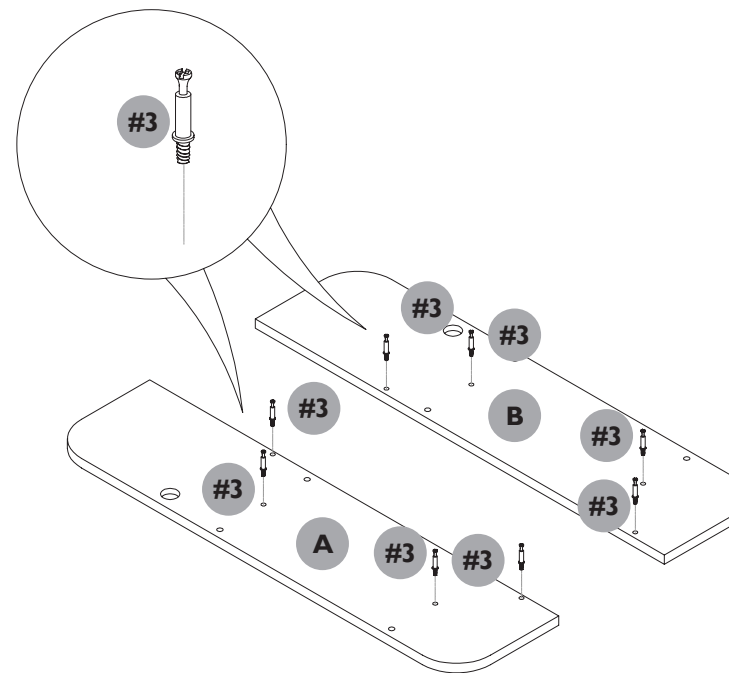
Secure using 1x cam lock (#5).



Hardware for Step 5:



8x #3 Cam Dowels



STEP 5:

Insert 8x cam dowel (#3) into panels A and B in the pilot holes provided.

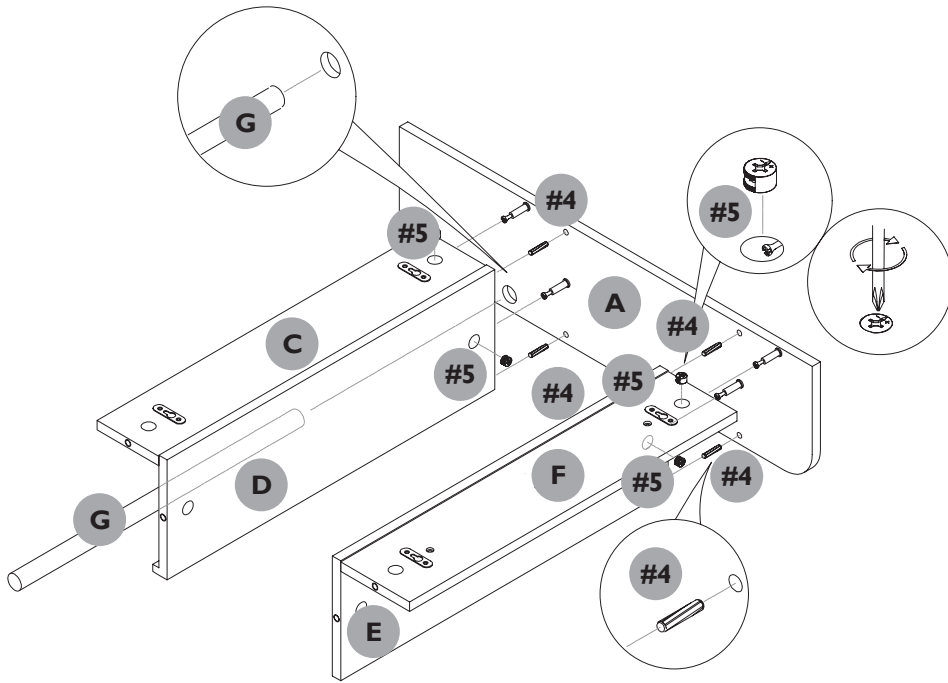
Hardware for Step 6:



4x #5 Cam Locks



4x #4 Wooden Dowels



STEP 6:

Insert 4x wooden dowels (#4) into panel A. Now connect panel A to panels C, D, E and F.

Secure panels C, D, E and F to panel A using 4x cam locks (#5).

Put the pole (G) in place, ready for step 7.

STEP 7:

Insert 4x wooden dowels (#4) into panel B. Now connect panel B to panels C, D, E and F.

Secure panels C, D, E and F to panel B using 4x cam locks (#5) - ensuring the pole is now trapped between panels A and B.

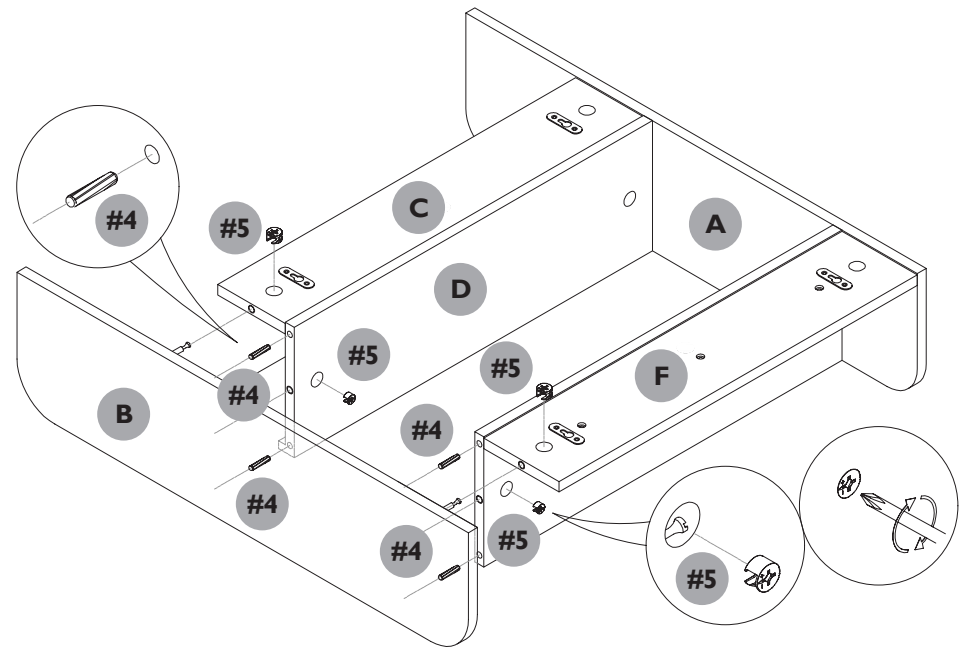
Hardware for Step 7:



4x #5 Cam Locks



4x #4 Wooden Dowels



Note:

Wall fixings are not included for this product.

The assembly is now complete.