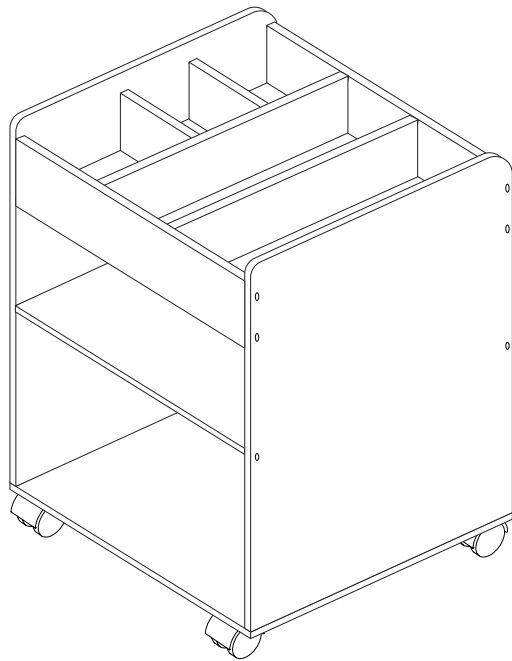




gltc.co.uk

Under Desk Storage Tower L5264



Thank you for shopping with GLTC, we hope you enjoy having this product in your home.

We know assembling furniture, toys or accessories is not everyone's favourite way to spend their time, so we've tried to make assembling this item as quick and painless as possible.

A few important pointers before you start:

- Please read the instructions right through before you start, and check that all the components have been included in the pack; we find separating all the hardware into piles makes it easier to be sure that everything is present and correct.
- Make sure you have the right tools. Allen keys are provided if required, but screw drivers and other tools are not. You'll find details of the tools you need at the beginning of the instructions.
- It's a good idea to build the unit in the room where you are going to be using it, to avoid the need to move it after it's been assembled.
- Do not throw away any packing materials until assembly is complete, just in case you accidentally discard smaller parts or hardware.

Assembly Difficulty



easy - medium - hard



one-person job



28/10/2021

Safety Warnings:

- Adult assembly required.
- **WARNING!** Not suitable for children under 3 years due to small parts which may become detached and present a choking hazard.
- Assembly to be carried out by a competent adult only. During assembly children should be kept away from the product due to possible risk of injury.
- **DO NOT** use this item if any components are missing or damaged.
- In an unassembled state product contains small parts which may pose a choking hazard, not suitable for children under 3 years.
- **DO NOT** use power tools in the assembly of this product as there is a risk of over-tightening and consequently splitting of the wood.
- Use on a flat surface only.
- Do not let children sit, stand or climb on the unit as this poses a risk of slipping, falling and injury.
- **PLEASE RETAIN THESE INSTRUCTIONS FOR FUTURE REFERENCE.**

Customer Service:

- If you find that any components are missing or damaged, please do not begin assembly and do not use the item. Please contact GLTC Customer Services on **0344 848 6000** immediately.
- We do stock spare hardware packs at our warehouse, so we should be able to send you a replacement pack immediately if required.

Product Care:

- Wipe clean using a soft damp cloth followed by a dry cloth.
- **DO NOT** use cleaning products which contain ammonia, solvents or abrasive material.
- **DO NOT** expose the item to extremes of heat and humidity.
- Regularly check all fastenings, fixtures and fittings to ensure that they are properly tightened.

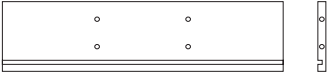



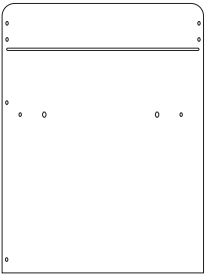
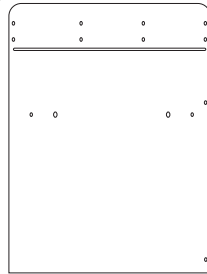
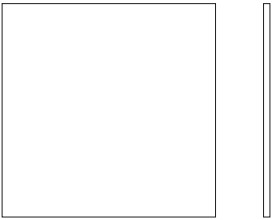
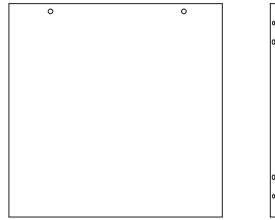
Could we do better?

If there is anything you think could be improved in these instructions or in the assembly of this product we'd be grateful if you could let us know; we'll pass any helpful hints and tips on to other customers via our website and update the instructions.


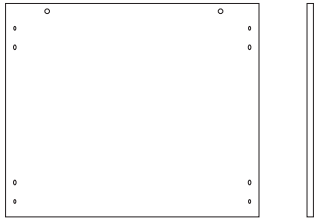
All you need to do is drop us a line at [**instructions@gltc.co.uk**](mailto:instructions@gltc.co.uk)

Thank you



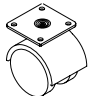

Component Check List

<p>A</p>  <p>x2</p>	<p>B</p>  <p>x1</p>
<p>C</p>  <p>x1</p>	<p>D</p>  <p>x2</p>
<p>E</p>  <p>x1</p>	<p>F</p>  <p>x1</p>
<p>G</p>  <p>x1</p>	<p>H</p>  <p>x1</p>

Component Check List

<p>I</p>  <p>x2</p>	<p>J</p>  <p>x1</p>
---	---

Hardware Check List

<p>#1</p>  <p>20x Screws 25mmL</p>	<p>#2</p>  <p>28x Wooden Dowels 20mmL</p>
<p>#3</p>  <p>4x Wheel Casters</p>	<p>#4</p>  <p>16x Screws 10mmL</p>

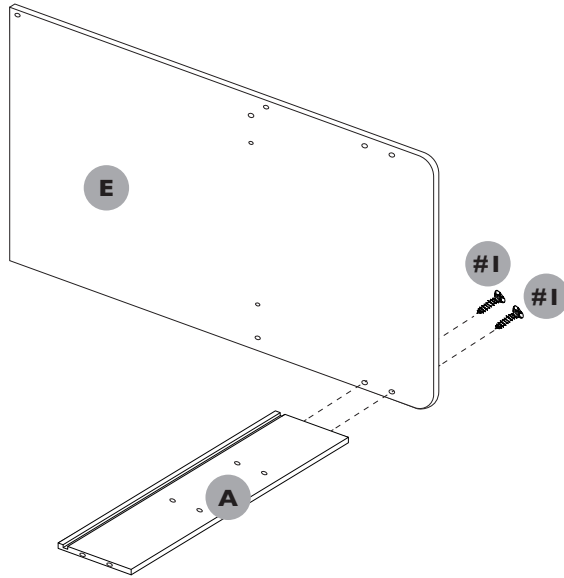
Hardware for Step 1:



2X #1 Screws 25mmL

STEP 1:

Secure panel A to panel E using 2x 25mmL screws (#1).



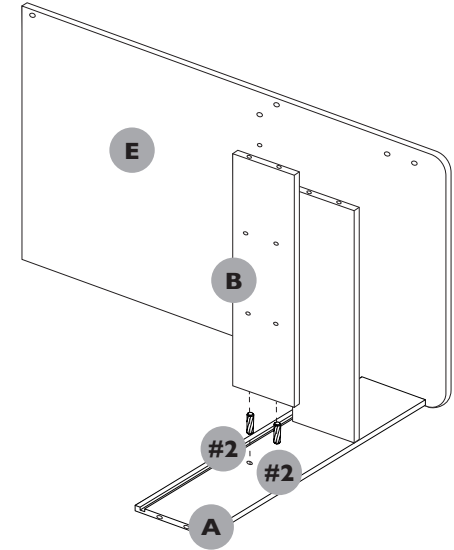
Hardware for Step 3:



2X #2 Wooden Dowels 20mmL

STEP 3:

Attach panel B to panel A using 2x wooden dowels (#2).



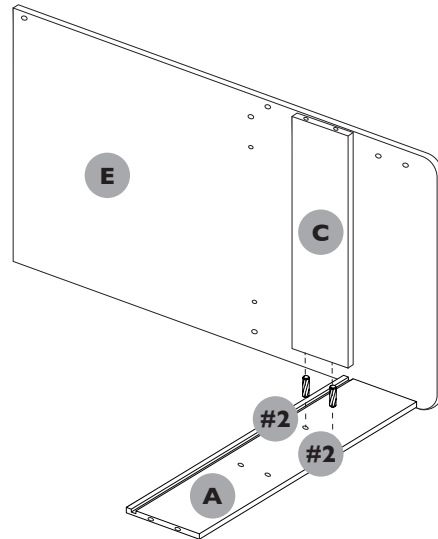
Hardware for Step 2:



2X #2 Wooden Dowels 20mmL

STEP 2:

Attach panel C to panel A using 2x wooden dowels (#2).



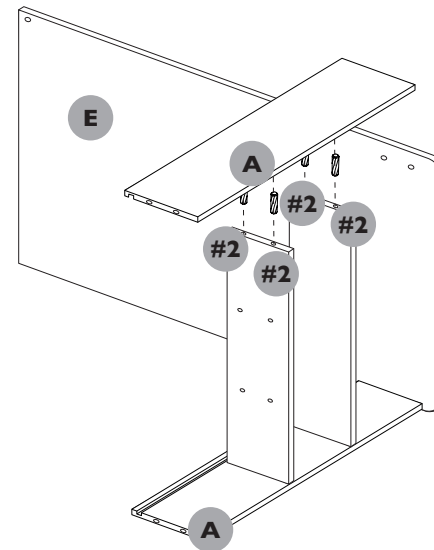
Hardware for Step 4:



4X #2 Wooden Dowels 20mmL

STEP 4:

Attach panel A to panels B & C using 4x wooden dowels (#2).



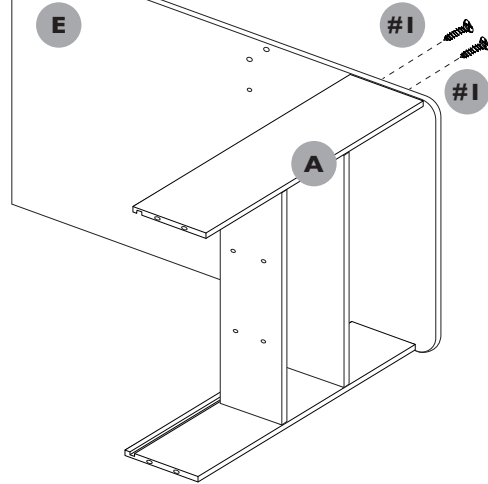
Hardware for Step 5:



2X #1 Screws 25mmL

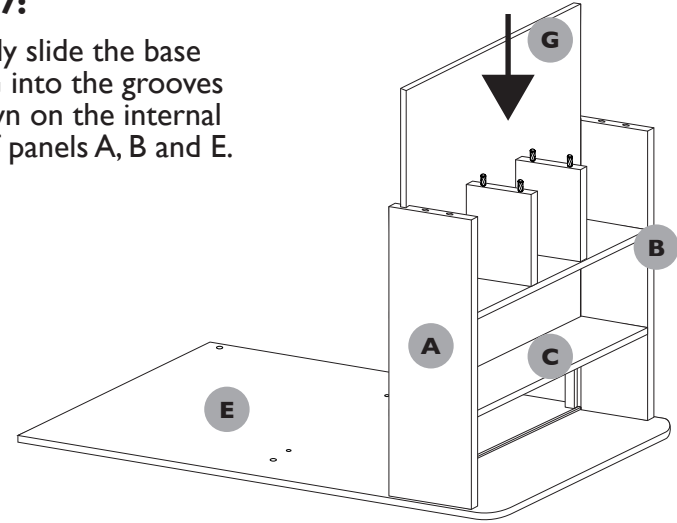
STEP 5:

Secure panel A to panel E using 2x 25mmL screws (#1).



STEP 7:

Carefully slide the base panel G into the grooves as shown on the internal faces of panels A, B and E.



Hardware for Step 6:



8X #2 Wooden Dowels 20mmL

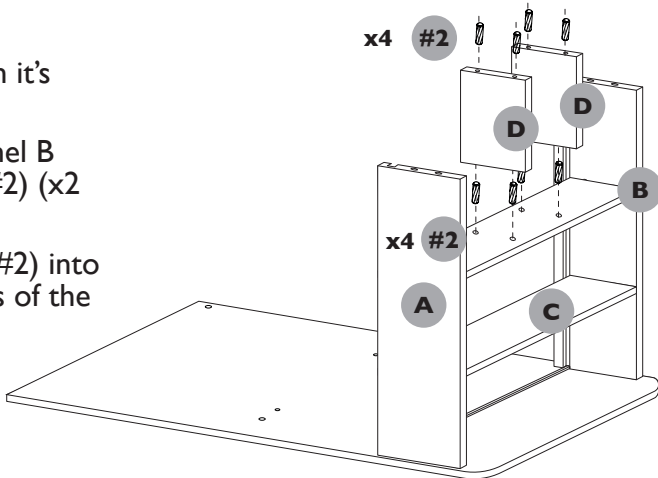
STEP 6:

Carefully lay the product on its back.

Attach two panels D to panel B using 4x wooden dowels (#2) (x2 on each panel).

Insert 4x wooden dowels (#2) into drill holes on opposite ends of the two panels D

(x2 on each panel).



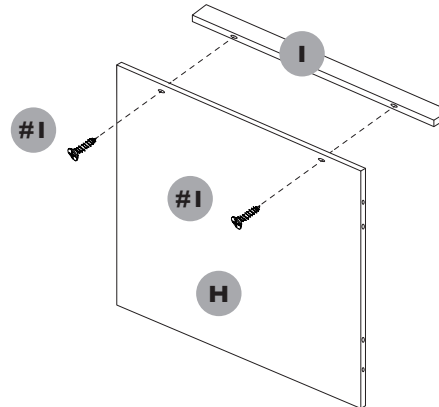
Hardware for Step 8:



2X #1 Screws 25mmL

STEP 8:

Secure panel I to panel H using 2x 25mmL screws (#1).



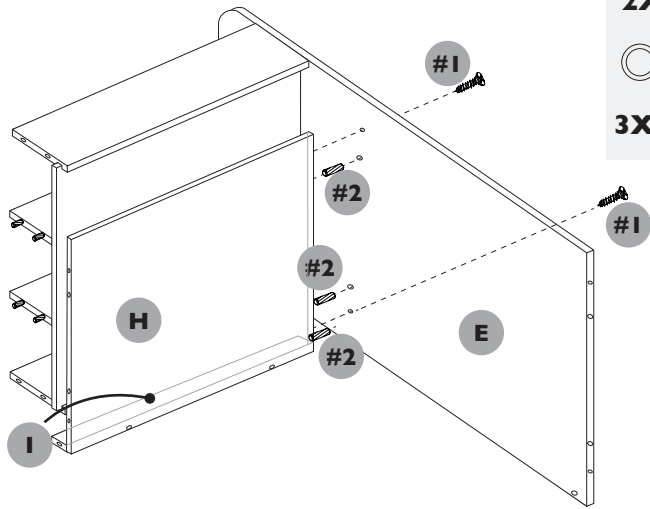
Hardware for Step 9:



2X #1 Screws 25mmL



3X #2 Wooden Dowels 20mmL



STEP 9:

Attach panels H & I to panel E using 3x wooden dowels (#2).
Secure using 2x 25mmL screws (#1).

Secure using 2x 25mmL screws (#1).

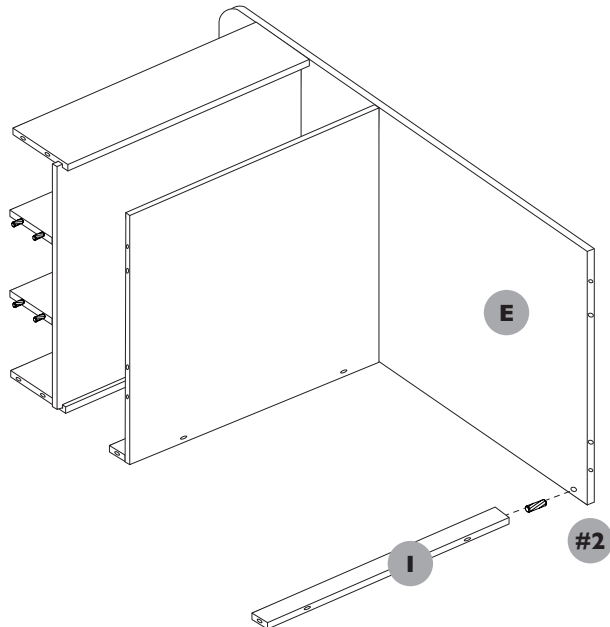
Hardware for Step 10:



1X #2 Wooden Dowels 20mmL

STEP 10:

Attach panel I to panel E using 1x wooden dowel (#2).



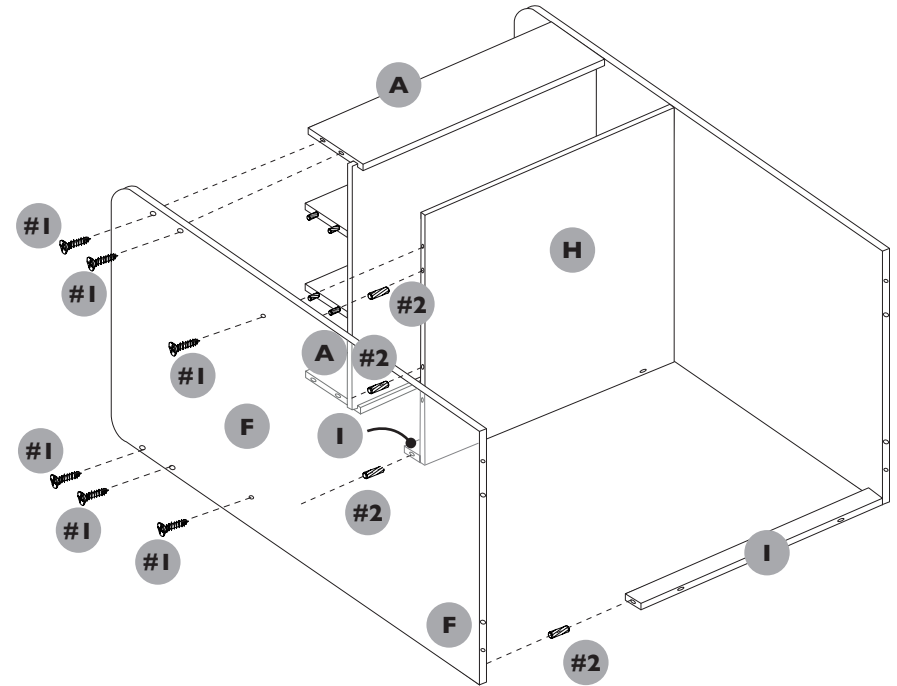
Hardware for Step 11:



6X #1 Screws 25mmL



4X #2 Wooden Dowels 20mmL



STEP 11:

Attach panel F to panels H, I and I using 4x wooden dowels (#2).
Ensure 4x wooden dowels (#2) in two panels D are still in place and line up into the holes in panel F.

Secure panel F to panels A, A and H using 6x 25mmL screws (#1).

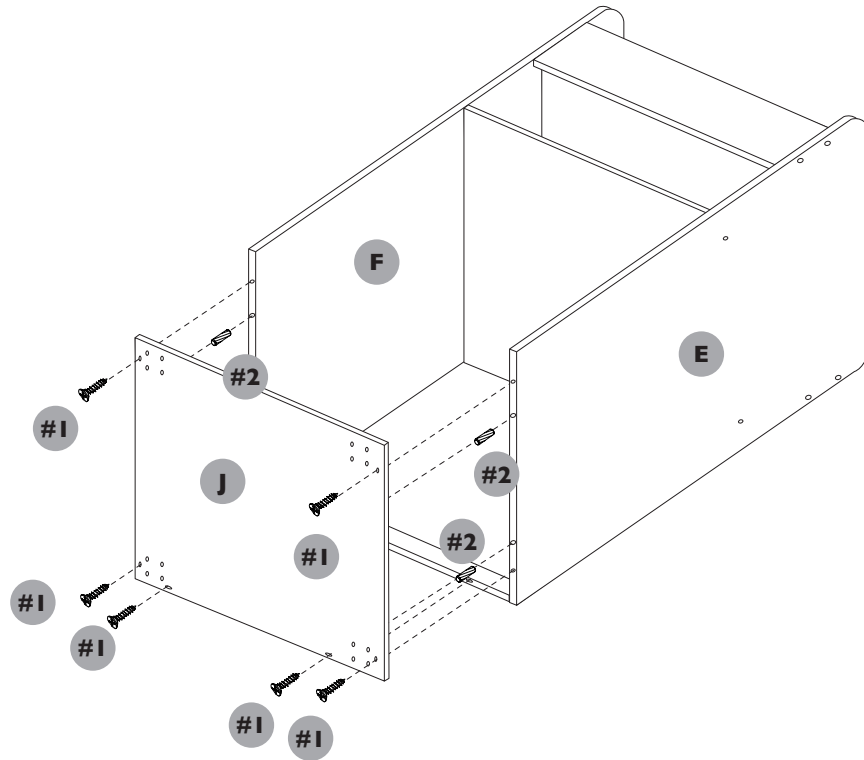
Hardware for Step 12:



6X #1 Screws 25mmL



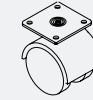
4X #2 Wooden Dowels 20mmL



STEP 12:

Attach panel J to panels E, F & I using 4x wooden dowels (#2).
Secure using 6x 25mmL screws (#1).

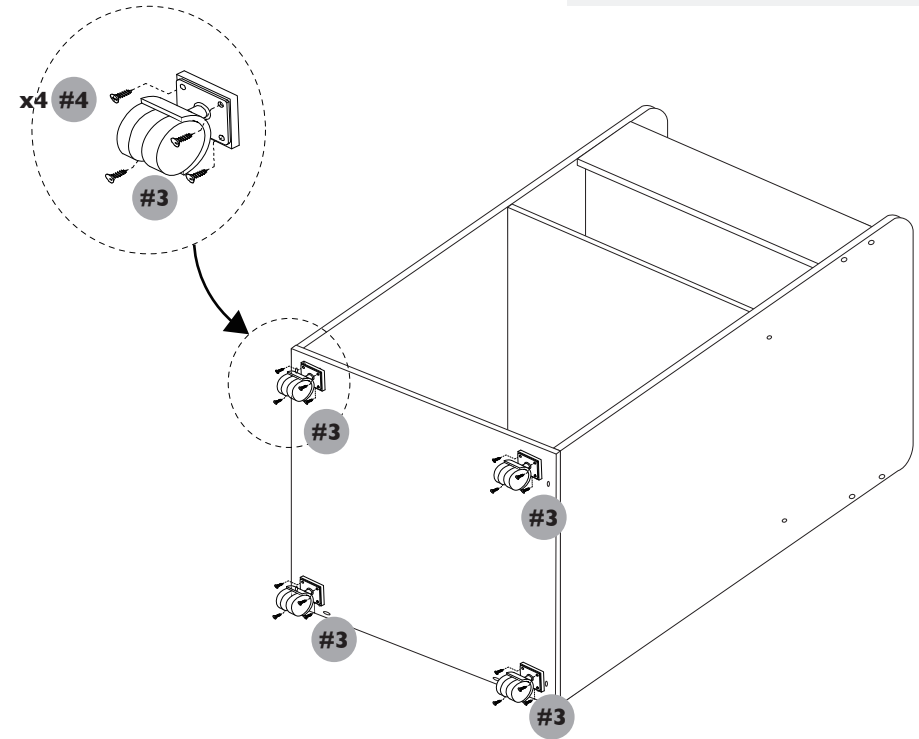
Hardware for Step 13:



4X #3 Wheel Casters 25mmL



16X #4 Screws 10mmL



STEP 13:

Attach 4x wheel casters (#3) to panel J using 16x 10mmL screws (#4), 4 per caster.

STEP 14:

Your Product is now ready to use.

