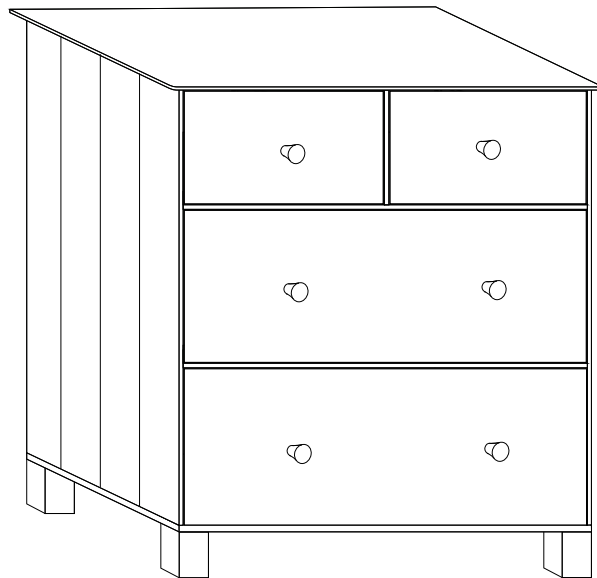




gltc.co.uk

## Lulworth Chest of Drawers



**Thank you for shopping with GLTC, we hope you enjoy having this product in your home.**

We know assembling furniture, toys or accessories is not everyone's favourite way to spend their time, so we've tried to make assembling this item as quick and painless as possible.

### **A few important pointers before you start:**

- Please read the instructions right through before you start, and check that all the components have been included in the pack; we find separating all the hardware into piles makes it easier to be sure that everything is present and correct.
- Make sure you have the right tools. Allen keys are provided if required, but screw drivers and other tools are not. You'll find details of the tools you need at the beginning of the instructions.
- It's a good idea to build the unit in the room where you are going to be using it, to avoid the need to move it after it's been assembled.
- Do not throw away any packing materials until assembly is complete, just in case you accidentally discard smaller parts or hardware.

Assembly Difficulty



easy - medium - hard



one-person job



12/07/2021

### **Safety Warnings:**

- PLEASE RETAIN THESE INSTRUCTIONS FOR FUTURE REFERENCE.
- Adult assembly required.
- In an unassembled state product contains small parts which may pose a choking hazard, not suitable for children under 3 years.
- Children should be kept away from the product during assembly to avoid any possible risk of injury.
- Assemble and use on a flat and level surface.
- This product is heavy, we recommend that you build it where you are planning to use it.
- DO NOT use power tools in the assembly of this product as there is a risk of over-tightening and consequently splitting of the wood.
- To avoid possible injury from tipping, DO NOT allow children to climb on the product.
- **WARNING! FURNITURE TIPPING RISK.** Serious or fatal crushing injuries can occur from furniture tipping over. Ensure you secure this furniture product to the wall before you use it, using the kit provided.
- If you have not received an anti-tip kit with your product please contact Customer services.
- Check all fixtures and fittings regularly and tighten as necessary.

### **Customer Service:**

- If you find that any components are missing or damaged, please do not begin assembly and do not use the item. Please contact GLTC Customer Services on **0344 848 6000** immediately.
- We do stock spare hardware packs at our warehouse, so we should be able to send you a replacement pack immediately if required.

### **Product Care:**

- Wipe clean using a soft damp cloth followed by a dry cloth.
- Do NOT use cleaning products which contain ammonia, solvents or abrasive material.
- Do NOT expose the item to extremes of heat and humidity.
- Regularly check all fastenings, fixtures and fittings to ensure that they are properly tightened.

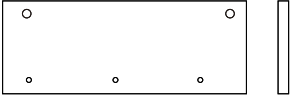
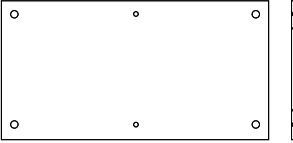
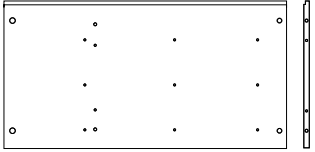
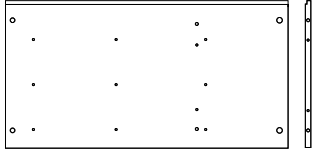
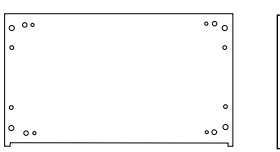
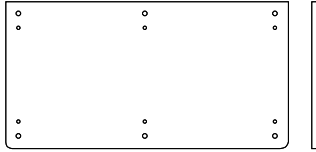
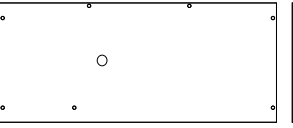


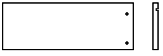
### **Could we do better?**

If there is anything you think could be improved in these instructions or in the assembly of this product we'd be grateful if you could let us know; we'll pass any helpful hints and tips on to other customers via our website and update the instructions.




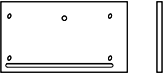
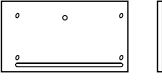

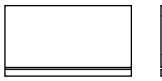
All you need to do is drop us a line at [\*\*instructions@gltc.co.uk\*\*](mailto:instructions@gltc.co.uk)

Thank you


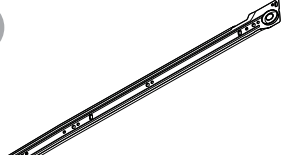
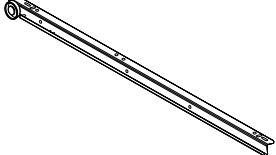
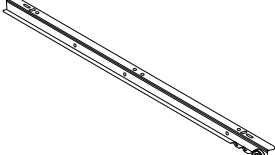
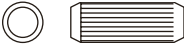


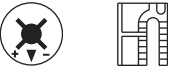


## Component Check List

|  |  |
|--|--|
| <p><b>A</b></p>  <p>1x Top Drawer Divider Panel</p> | <p><b>B</b></p>  <p>1x Horizontal Divider Panel</p> |
| <p><b>C</b></p>  <p>1x LH Side Panel</p>            | <p><b>D</b></p>  <p>1x RH Side Panel</p>            |
| <p><b>E</b></p>  <p>1x Base Panel</p>               | <p><b>F</b></p>  <p>1x Top Panel</p>                |
| <p><b>G</b></p>  <p>2x Back Panels</p>              | <p><b>H</b></p>  <p>4x Feet</p>                     |
| <p><b>I</b></p>  <p>2x Large Drawer Fronts</p>    | <p><b>J</b></p>  <p>4x Drawer LH Sides</p>        |









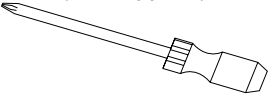
## Component Check List

|  |  |
|--|--|
| <p><b>K</b></p>  <p>4x Drawer RH Sides</p>          | <p><b>L</b></p>  <p>2x Large Drawer Back Panels</p> |
| <p><b>M</b></p>  <p>2x Large Drawer Base Panels</p> | <p><b>N</b></p>  <p>1x RH Small Drawer Front</p>    |
| <p><b>O</b></p>  <p>1x LH Small Drawer Front</p>    | <p><b>P</b></p>  <p>2x Small Drawer Base Panels</p> |
| <p><b>Q</b></p>  <p>2x Small Drawer Back Panels</p> |  |

## Hardware Check List

|   |   |
|---|---|
| <p>#1</p>  <p>4x Flat Runners</p>              | <p>#2</p>  <p>4x Flat Runners</p>                |
| <p>#3</p>  <p>4x Flat Runners</p>              | <p>#4</p>  <p>4x Flat Runners</p>                |
| <p>#5</p>  <p>16x Wooden Dowels<br/>(20mm)</p> | <p>#6</p>  <p>18x Screws<br/>(25mm)</p>          |
| <p>#7</p>  <p>26x Cam Dowels</p>               | <p>#8</p>  <p>26x Cam Locks</p>                  |
| <p>#9</p>  <p>4x Hex Bolts<br/>(42mm)</p>    | <p>#10</p>  <p>4x Wooden Dowels<br/>(25mm)</p> |

## Hardware Check List

|   |   |
|---|---|
| <p>#11</p>  <p>12x Screws<br/>(16mm)</p>                                   | <p>#12</p>  <p>48x Screws<br/>(12mm)</p> |
| <p>#13</p>  <p>6x Flat-Ended Screws</p>                                    | <p>#14</p>  <p>6x Handles</p>            |
| <p>#15</p>  <p>4x Cross-Head Bolts<br/>(47mm)</p>                          | <p>#16</p>  <p>4x Barrel Nuts</p>        |
| <p>#17</p>  <p>1x Allen Key</p>  |  <p>1x Anti-tip Kit</p>                  |
| <p>You will need<br/>(not supplied)</p>  <p>Philips Head Screwdriver</p> |   |

### Hardware for Step 1:



1x #1 Flat Runner



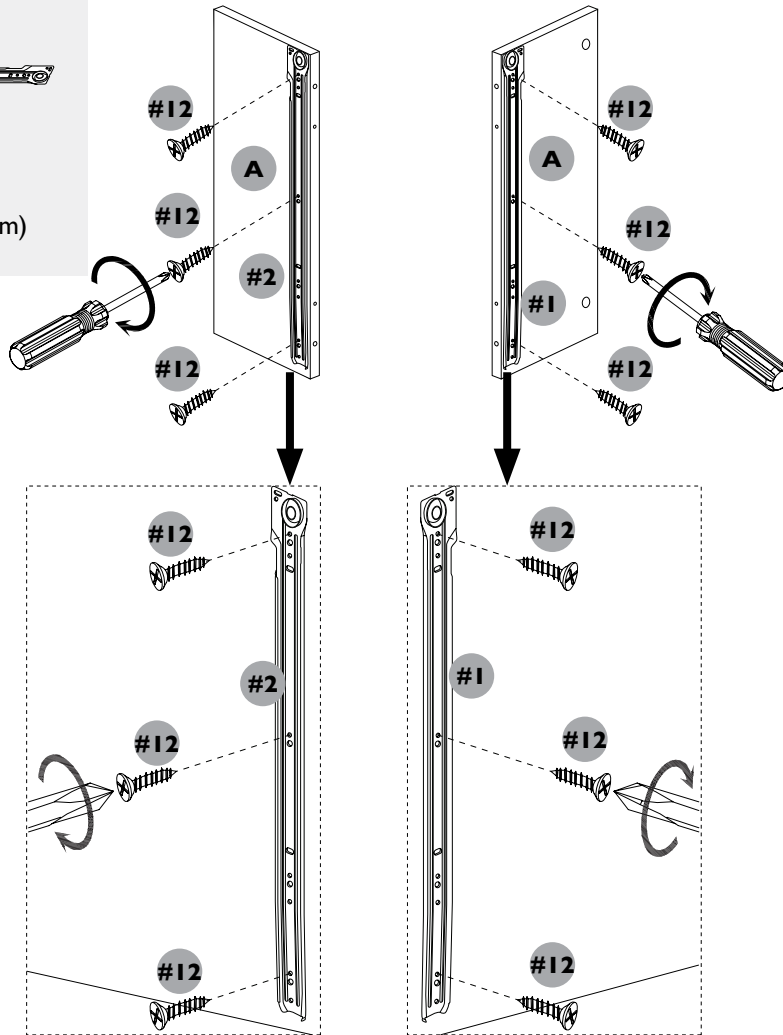
1x #2 Flat Runner



6x #12 Screws (12mm)

POSITION 1

POSITION 2



### STEP 1:

Working on a protective surface like a carpet or a rug, take panel (A) and attach flat runner (#2) as shown in position 1 with 3x screws (#12). Flip panel (A) so that it is in position 2 and attach flat runner (#1) as shown with 3x screws (#12).

*Note: Ensure that the screws attaching the runners are fully secured and lie flat to allow the drawer to run smoothly.*

*When in the correct position, the runner wheel will be at the front edge of the panel.*

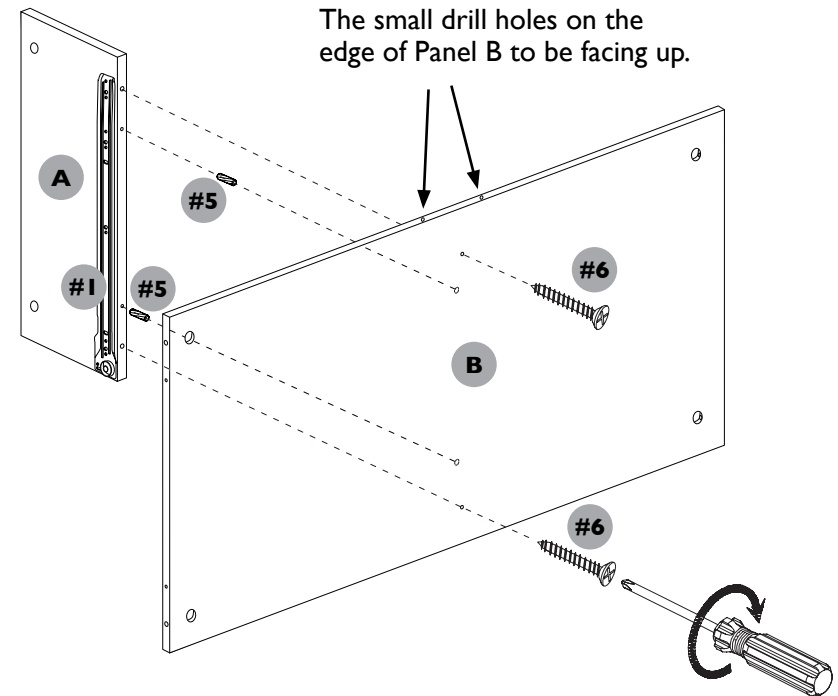
### STEP 2:

**Note:** You will be building this unit with the back facing up.

Align horizontal divider panel (B) so that the countersunk holes in the middle of the panel are facing outwards and the 2x small pilot holes on the long thin edge are facing up.

Insert 2x wooden dowels (#5) into the inner holes on the edge of panel (A) and slot into panel (B) ensuring that the wheels of the runners are facing the floor and that runner (#1) is on the left-hand side as shown.

Secure panels together using 2x screws (#6) through panel B.



### Hardware for Step 2:



2x #5 Wooden Dowels (20mm)



2x #6 Screws (25mm)

### STEP 3:

Take the LH side panel (C) and attach 3x flat runners (#1) with 3x screws (#12) for each runner.

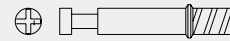
When fixed in the correct position, there will be a gap between the front edge of the panel and the start of the runners. If the front of runners is level with the edge of the panel, it is in the wrong position.

Once complete, insert 2x cam dowels (#7) where indicated.

#### Hardware for Step 3:



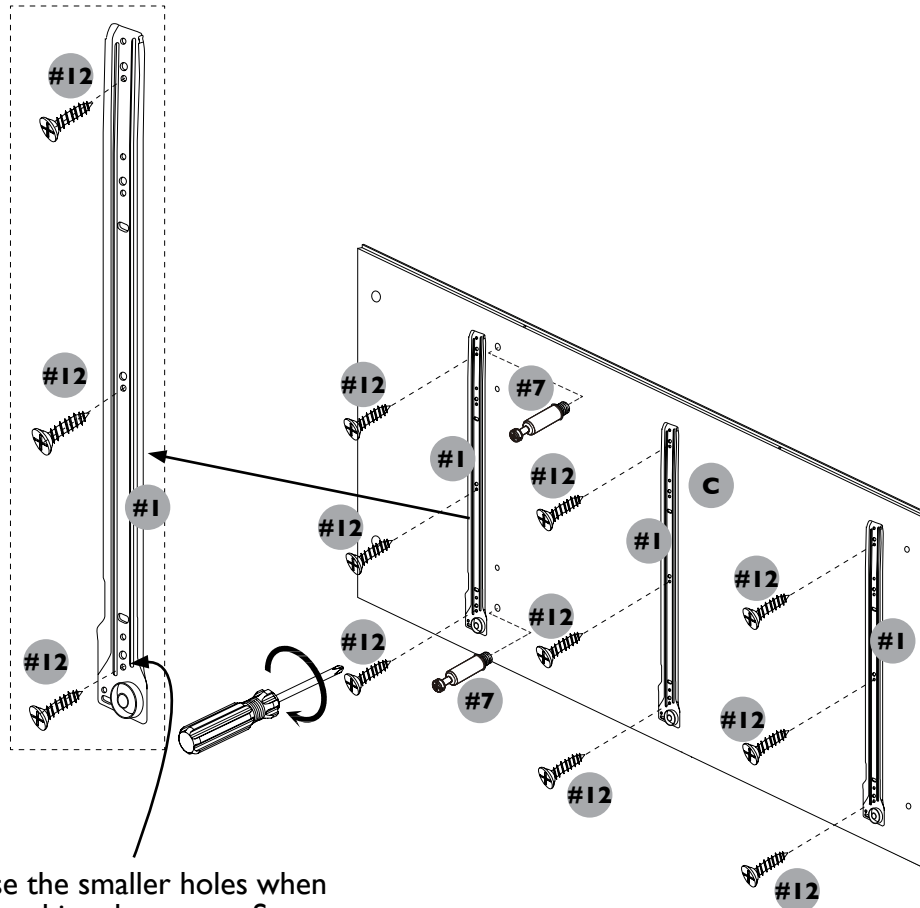
3x #1 Flat Runners



2x #7 Cam Dowels



9x #12 Screws (12mm)



Use the smaller holes when attaching the runner. Start with the first small next to the wheel.

### STEP 4:

Insert 2x wooden dowels (#5) into side panel (C) in the inner holes next to the cam dowels (#7).

Now attach side panel (C) to the right-hand side of divider panel (B). Ensure that the ledged side is facing upwards and that the wheels of the runners are facing the floor.

Once in position, secure with 2x cam locks (#8) as shown.

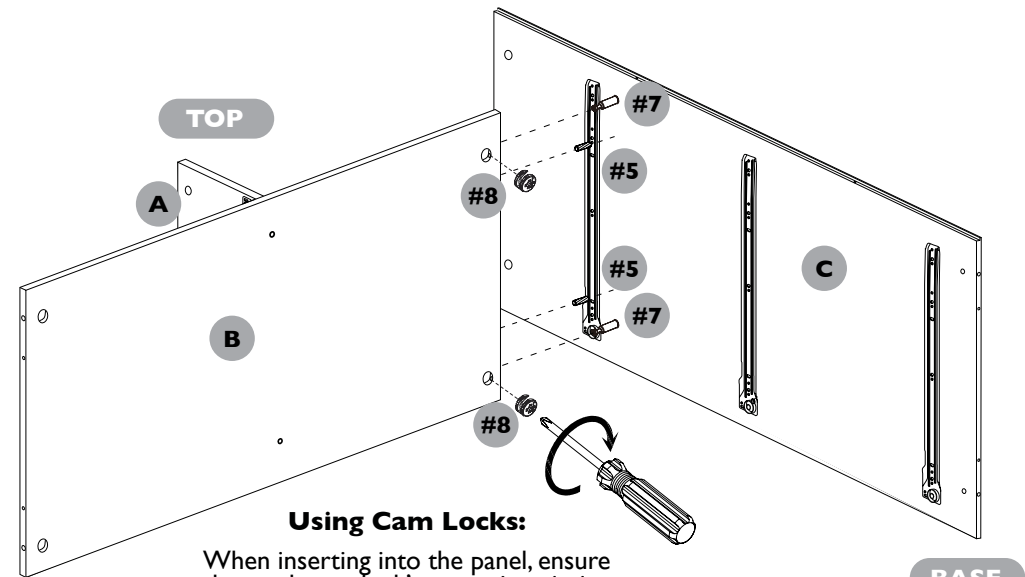
#### Hardware for Step 4:



2x #5 Cam Dowels



2x #8 Cam locks



#### Using Cam Locks:

When inserting into the panel, ensure that each cam lock's arrow is pointing towards the drill hole on the side edge of the panel & the dowel that it will be receiving.

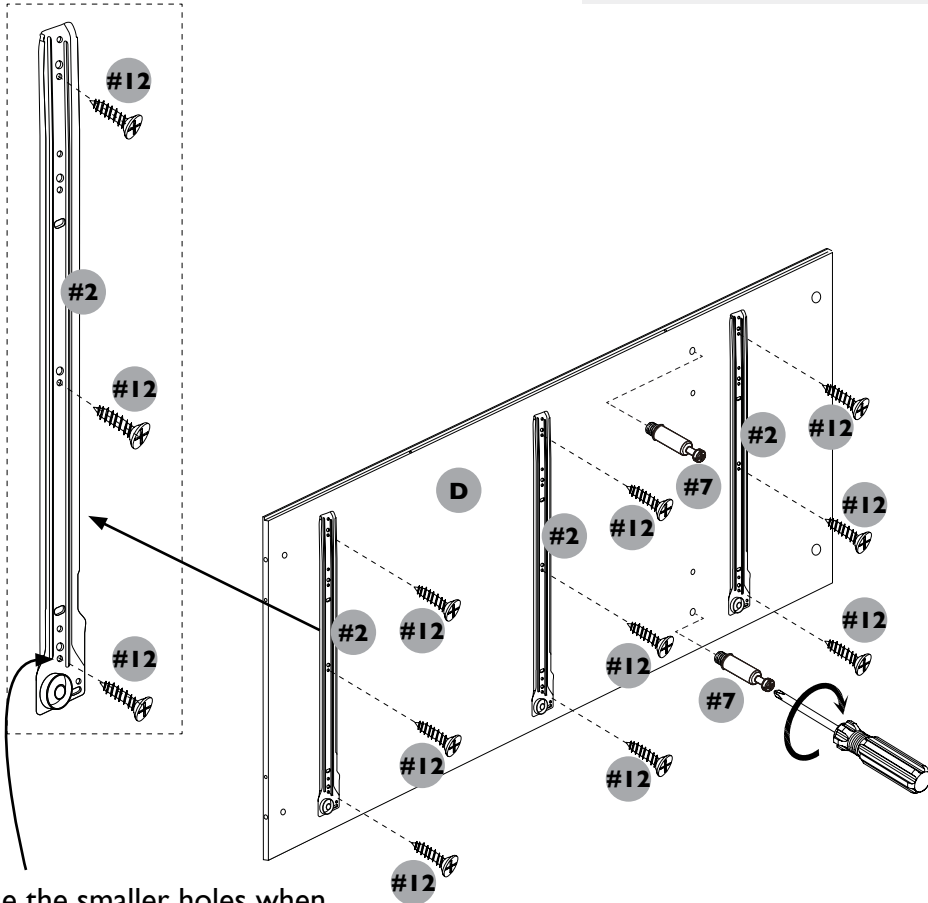
When the panels are in the connected position, using a screwdriver, turn the cam lock in a clockwise direction to lock and secure.

## STEP 5:

Take the RH side panel (D) and attach 3x flat runners (#2) with 3x screws (#12) for each runner.

When fixed in the correct position, there will be a gap between the front edge of the panel and the start of the runners. If the front of runners is level with the edge of the panel, it is in the wrong position.

Insert 2x cam dowels (#7) where indicated.



Use the smaller holes when attaching the runner. Start with the first small next to the wheel.

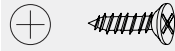
### Hardware for Step 5:



3x #2 Flat Runners



2x #7 Cam Dowels



9x #12 Screws (12mm)

### Hardware for Step 6:



2x #5 Wooden Dowels (20mm)



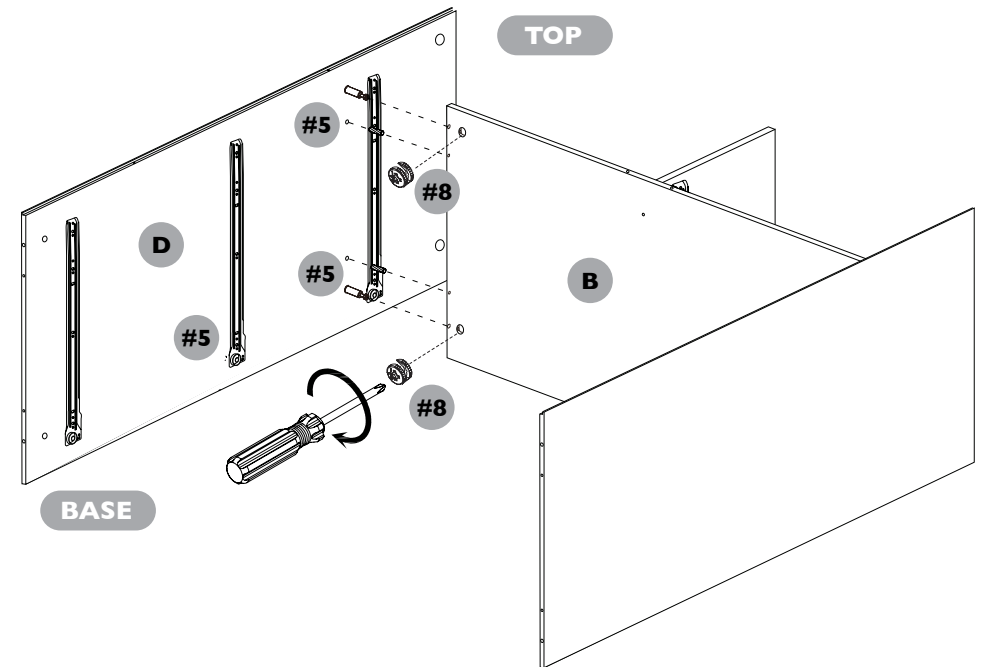
2x #8 Cam Locks

## STEP 6:

Insert 2x wooden dowels (#5) into side panel (D) in the inner holes next to the cam dowels (#7).

Now attach side panel (D) to the other side of divider panel (B). Ensure that the ledged side is facing upwards and that the wheels of the runners are facing the floor.

Once in position, secure with 2x cam locks (#8) as shown.



### STEP 7: Attach base panel (E).

Insert 4x wooden dowels (#5) to the inner holes in the ends of the side panels (C) and (D) as shown. Insert 4x barrel nuts (#16) to the holes on the inside of the side panels, ensuring the hole in the nut is facing towards the base.

Position the base panel (E) with the recessed edge facing up and push into position. Fix in place using 4x cross-head bolts (#15) through the base into the side panels. Fully tighten using a Philips screwdriver.

#### Hardware for Step 7:



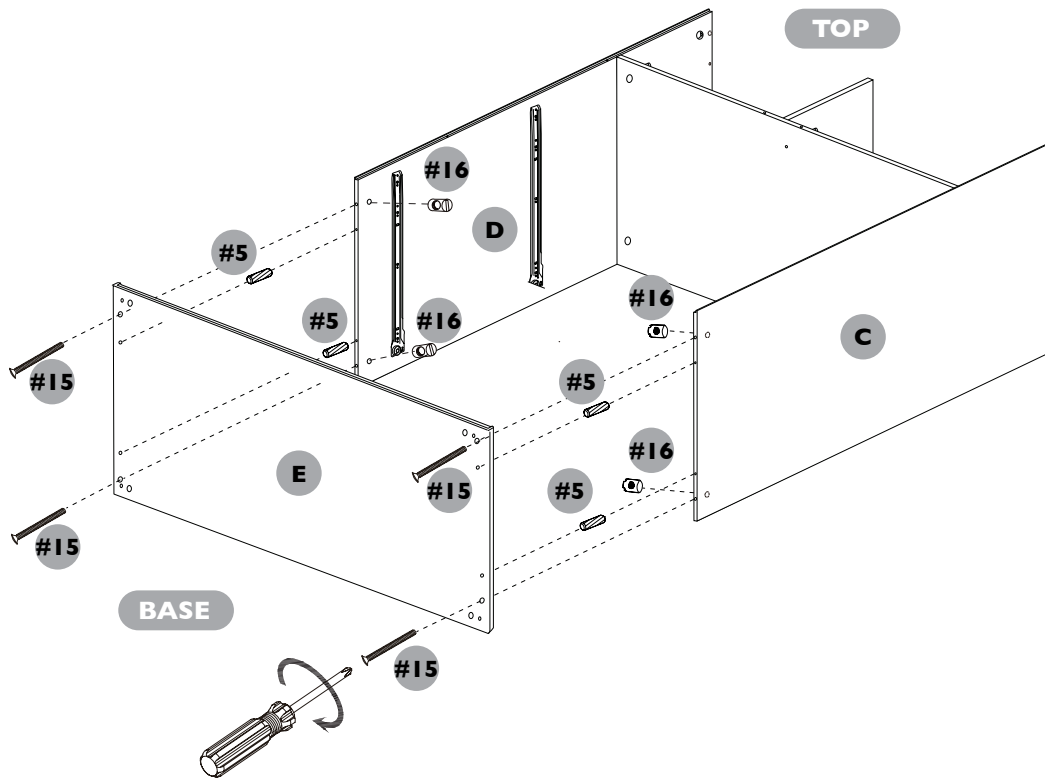
4x #5 Wooden Dowels (20mm)



4x #15 Cross-Head Bolts (47mm)



4x #16 Barrel Nuts



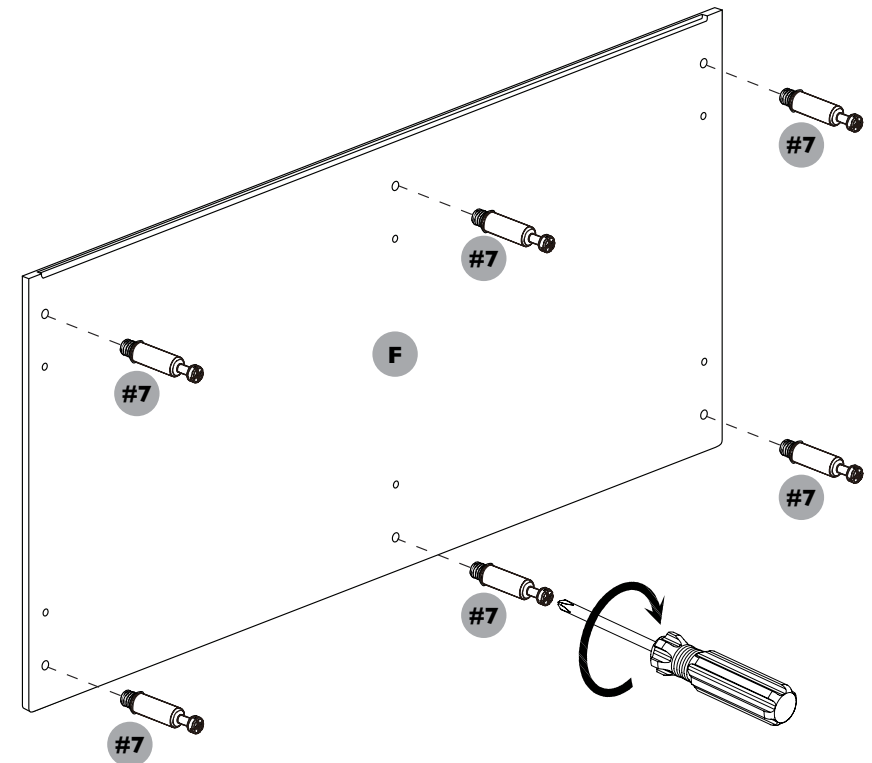
### STEP 8:

Take top panel (F) and insert 6x cam dowels (#7) as shown.

#### Hardware for Step 8:



6x #7 Cam Dowels





### STEP 9:

Insert 6x wooden dowels (#5) into the remaining holes in top panel (F). Position top panel (F) onto the unit, aligning the hardware with panels A, C & D. Ensure that the grooved edge of top panel (F) is facing up.

When in place, secure panel (F) in position with 6x cam locks (#8) as shown on panels A, C & D.

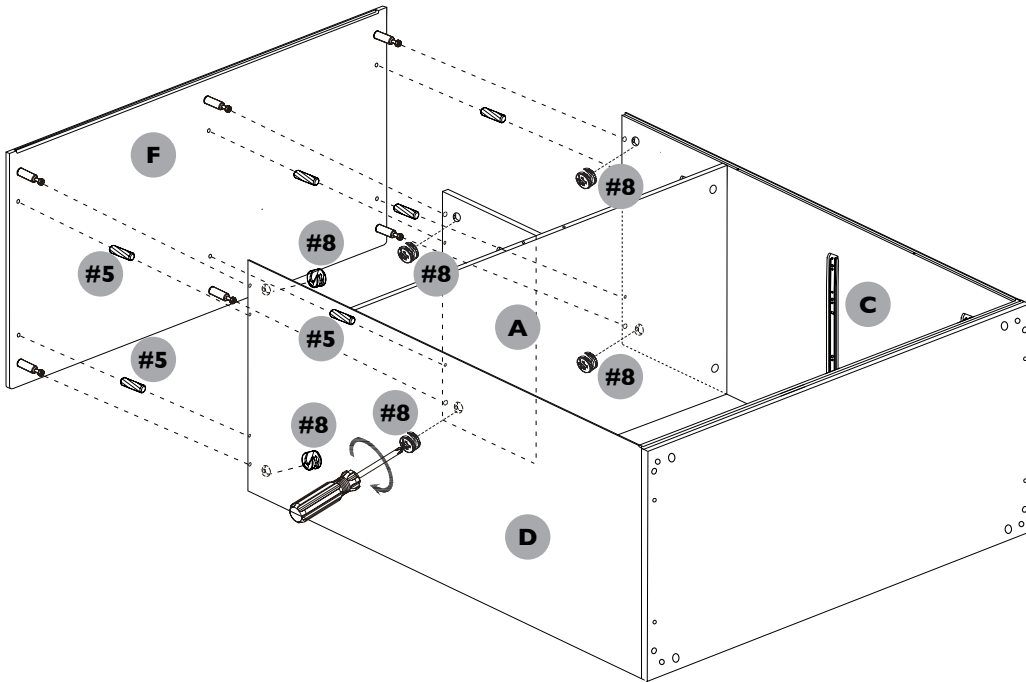
#### Hardware for Step 9:



6x #5 Wooden Dowels (20mm)



6x #8 Cam Locks



### STEP 10: Attach the feet.

Insert 4x wooden dowels (#10) into each corner of base panel (E) where indicated. Push the 4x feet (H) into position and, using the Allen Key provided, attach EACH foot by inserting 1x hex bolt (#9) through base panel (E) into the feet.

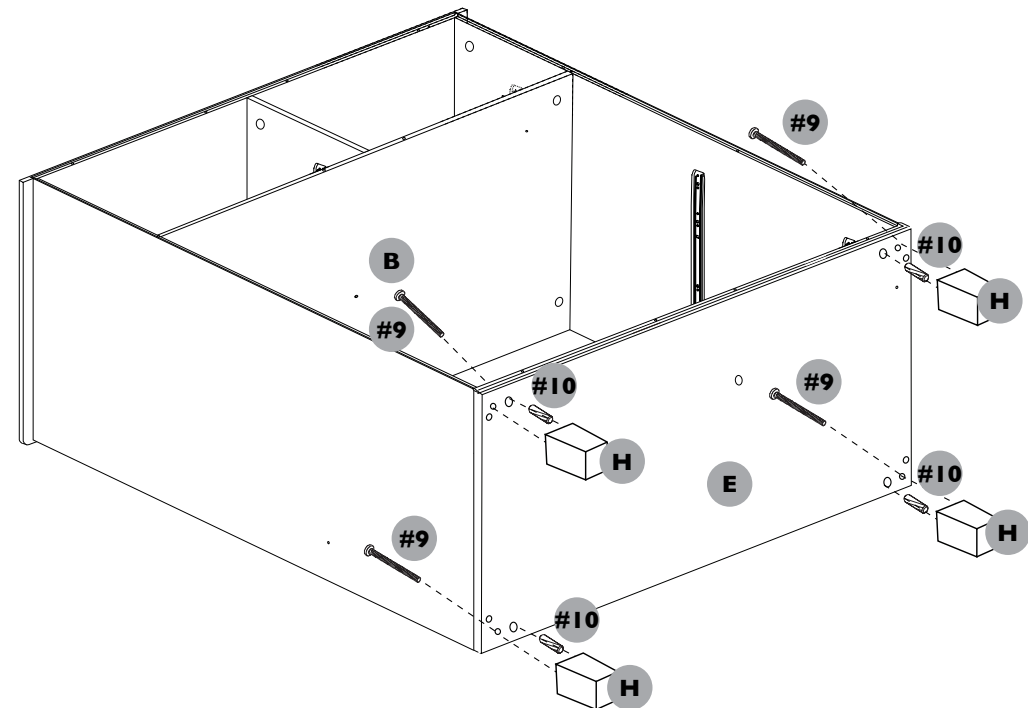
#### Hardware for Step 10:



4x #9 Hex Bolt (42mm)



4x #10 Wooden Dowels (25mm)



## STEP 11:

Take the 2x back panels (G) and place them within the recessed groove of the unit frame ensuring that the pilot holes on panels (G) line up with the drill holes in the unit.

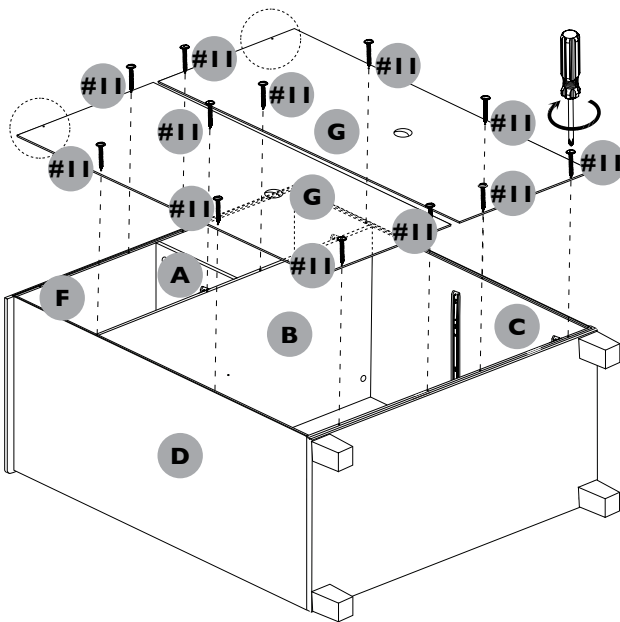
Once in place, secure with 12x screws (#11) as shown.

Please note that the 2x pilot holes indicated at the top corners of the unit are to attach the anti-tip straps included separately with this item to secure the unit to the wall. See Step 20.

### Hardware for Step 11:



12x #11 Screws (16mm)



## STEP 13:

Take 1x LH drawer side panel (J) and attach 1x runner (#4) with 3x screws (#12) ensuring that you are positioning all screws through the indicated holes.

*Note: The runner will fit the full length of the panel and should be positioned with the wheel at the end next to the 2 small drill holes as shown. It should NOT be on the side with the groove.*

REPEAT with the remaining 3x panels (J).

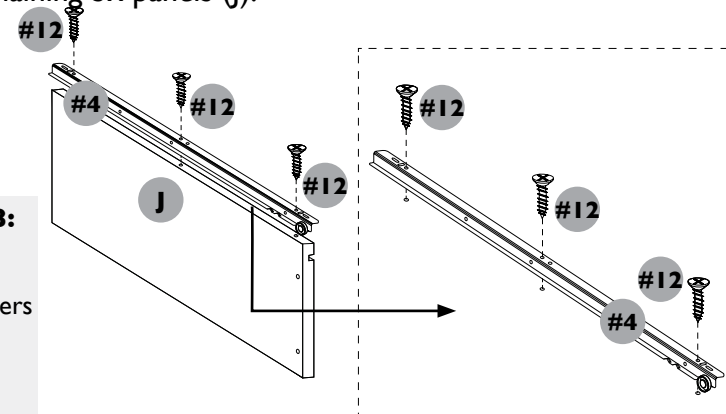
### Hardware for Step 13:



4x #4 LH L-Shaped Runners



12x #12 Screws (12mm)



## STEP 12:

Prepare the large drawers by inserting 4x cam dowels (#7) to EACH of the 2x large drawer fronts (I). Then attach 2x handles (#14) to EACH of the large drawer front panels using 2x screws (#13) as shown using your Philips screwdriver.

### Hardware for Step 12:



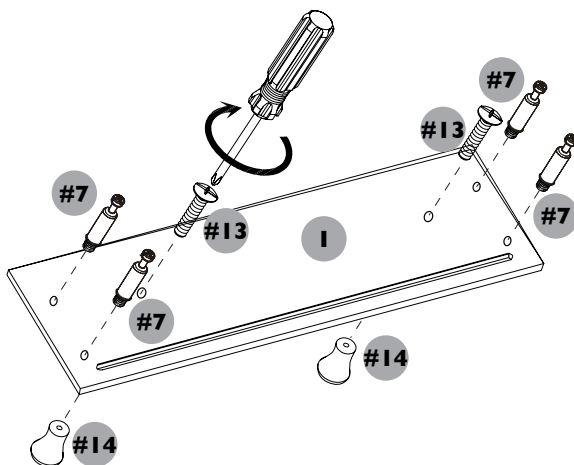
8x #7 Cam Dowels



4x #13 Flat-Ended Screws (24mm)



4x #14 Handles



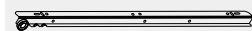
## STEP 14:

Take 1x RH drawer side panel (K) and attach 1x runner (#3) with 3x screws (#12) ensuring that you are positioning all screws through the indicated holes.

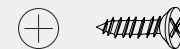
*Note: The runner will fit the full length of the panel and should be positioned with the wheel at the end next to the 2 small drill holes as shown. It should NOT be on the side with the groove.*

REPEAT with the remaining 3x panels (K).

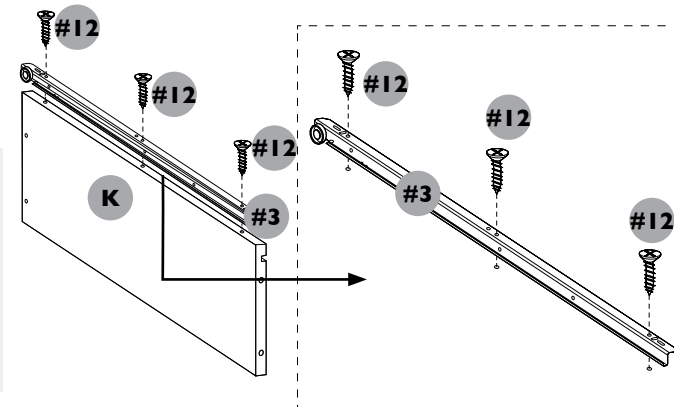
### Hardware for Step 14:



4x #3 RH L-Shaped Runners



12x #12 Screws (12mm)



## STEP 15:

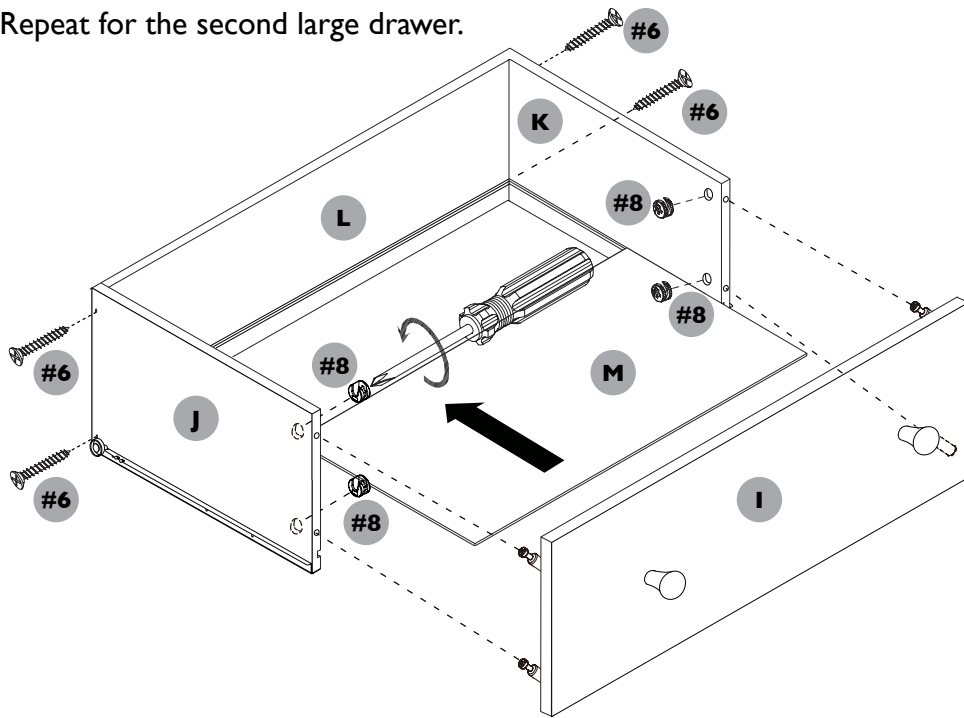
Build the 2x large drawers.

Attach side panels (J & K) to the large drawer back panel (L) as shown with 4x screws (#6).

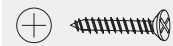
Ensure that the runners are on the outer side of the side panels and that the wheels on the runners are at the back of the drawer.

Slide in the drawer base panel (M) into the grooves and insert 4x cam locks (#8) into the hardware holes at the front of the drawer on each side panels. Then push the drawer front panel (I) into position and turn the cam locks clockwise to secure with a Philips screwdriver.

Repeat for the second large drawer.



### Hardware for Step 15:



8x #6 Screws (25mm)



8x #8 Cam Locks

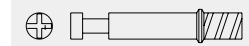


## STEP 16:

Prepare the front panels of the 2x small drawers.

Insert 4x cam dowels (#7) to EACH of the drawer front panels (N & O) as shown. Then, attach 2x handles (#14) using 2x screws (#13).

### Hardware for Step 16:



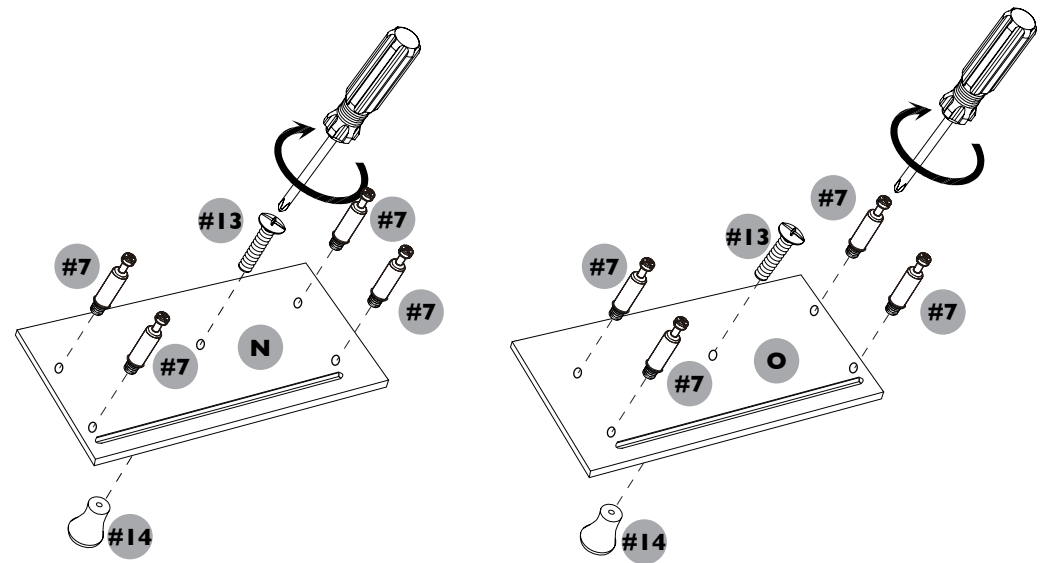
8x #7 Cam Locks



2x #13 Screws (24mm)



2x #14 Handles



## STEP 17:

Construct the first small drawer attaching side panels (J & K) to back panel (Q) as shown with 4x screws (#6). Ensure that the runners are on the outer side of the side panels and that the wheels on the runners are at the back of the drawer.

Slide in the drawer base panel (P) into the grooves and insert 4x cam locks (#8) into the hardware holes at the front of the drawer on each side panels. Then push the drawer front panel (N) into position and turn the cam locks clockwise to secure with a Philips screwdriver.

Once assembled, please note that the left-hand side of the front panel (N) should protrude more than the right-hand side.

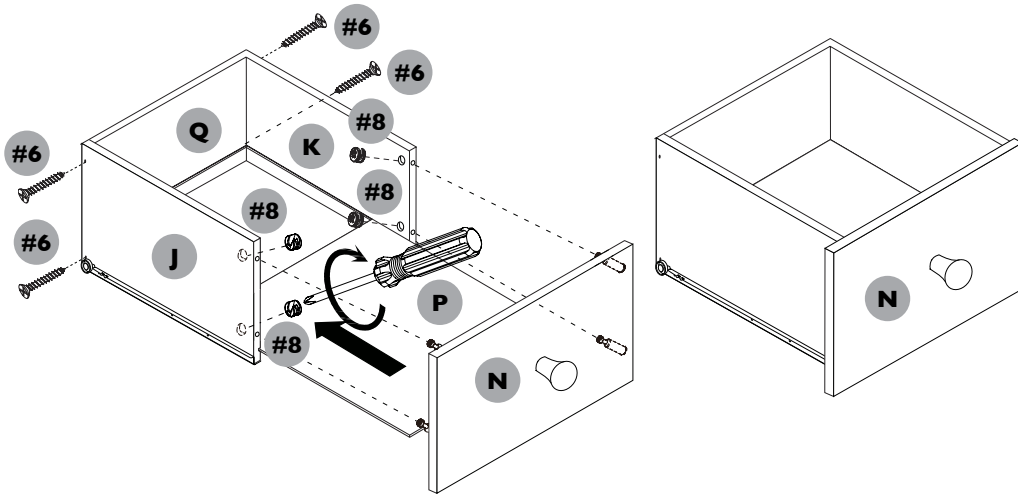
### Hardware for Step 17:



4x #6 Screws (25mm)



4x #8 Cam Locks



## STEP 18:

Repeat step 17 to assemble the second small drawer this time attaching drawer front panel (O).

Once assembled, please note that the right-hand side of the front panel (O) should protrude more than the left-hand side.

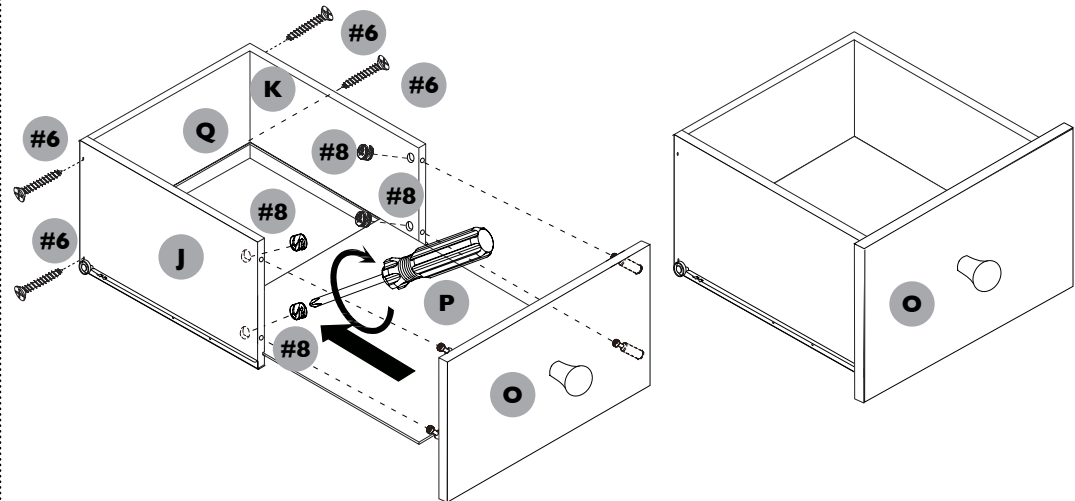
### Hardware for Step 18:



4x #6 Screws (25mm)

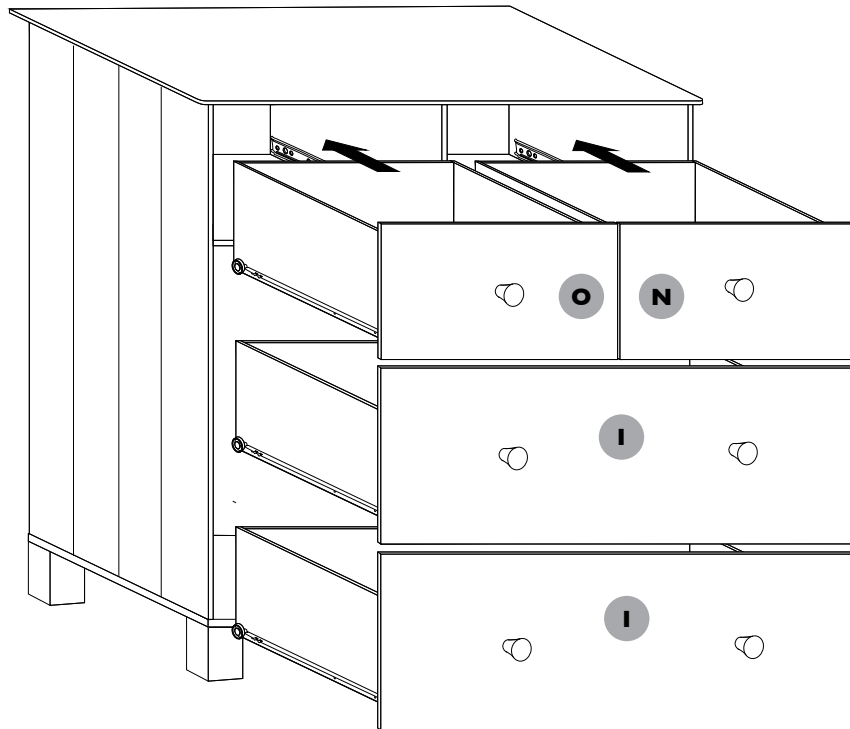


4x #8 Cam Locks



### STEP 19:

Insert the 4x drawers as shown ensuring that the small drawer (O) is on the left-hand side and drawer (N) is on the right hand-side on the top level.



### STEP 20:

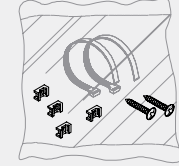
Before you use your unit, we strongly advise that you attach the anti-tip kit included to the chest of drawers to secure this product to your wall.

Please use the pilot holes on the back panel (highlighted in step 11) to attach the anti-tip brackets using the hardware included with the kit.

Please refer to the instructions in the kit provided for further guidance.

**Your unit is now ready to use.**

### Hardware for Step 20:



**1x Anti-tip Kit**

