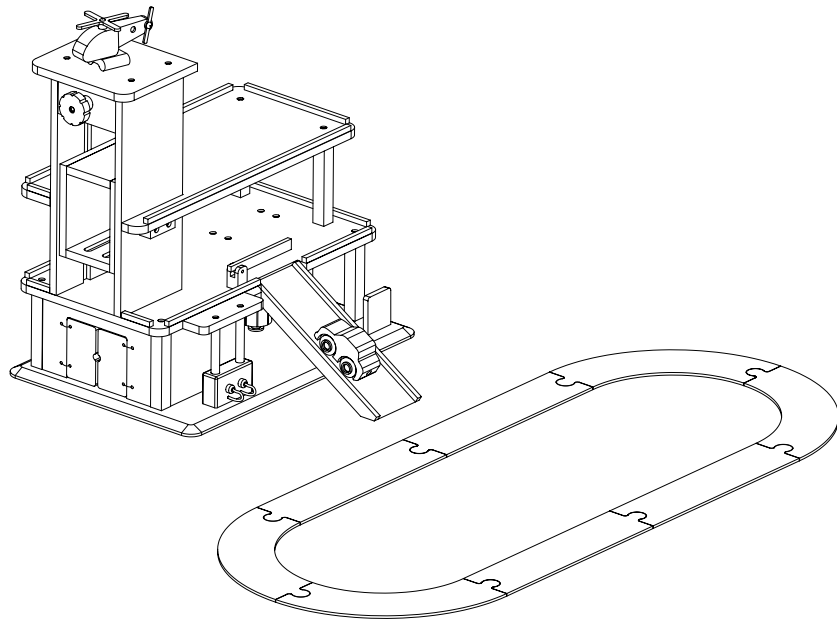




gltc.co.uk

Wooden Toy Garage with Track L5171



Thank you for shopping with GLTC, we hope you enjoy having this product in your home.

We know assembling furniture, toys or accessories is not everyone's favourite way to spend their time, so we've tried to make assembling this item as quick and painless as possible.

A few important pointers before you start:

- Please read the instructions right through before you start, and check that all the components have been included in the pack; we find separating all the hardware into piles makes it easier to be sure that everything is present and correct.
- Make sure you have the right tools. Allen keys are provided if required, but screw drivers and other tools are not. You'll find details of the tools you need at the beginning of the instructions.
- It's a good idea to build the unit in the room where you are going to be using it, to avoid the need to move it after it's been assembled.
- Do not throw away any packing materials until assembly is complete, just in case you accidentally discard smaller parts or hardware.

Assembly Difficulty



easy - medium - hard



one-person job



28/04/2021

Safety Warnings:

- Adult assembly required.
- Not suitable for children under 3 years due to small parts that may present a choking hazard.
- Assemble and use on a flat and level surface.
- Children should be kept away from the product during assembly to avoid any possible risk of injury.
- DO NOT use power tools in the assembly of this product as there is a risk of over-tightening and consequently splitting of the wood.
- Check all fixtures and fittings regularly and tighten as necessary.
- Check the item regularly for signs of damage which may make the product unsafe.
- Dispose of packaging carefully to avoid injury to young children.
- Please retain these instructions for future reference.

Customer Service:

- If you find that any components are missing or damaged, please do not begin assembly and do not use the item. Please contact GLTC Customer Services on **0344 848 6000** immediately.
- We do stock spare hardware packs at our warehouse, so we should be able to send you a replacement pack immediately if required.

Product Care:

- Wipe clean using a soft damp cloth followed by a dry cloth.
- Do NOT use cleaning products which contain ammonia, solvents or abrasive material.
- Do NOT expose the item to extremes of heat and humidity.

Could we do better?

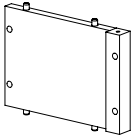
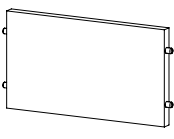
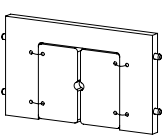
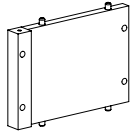
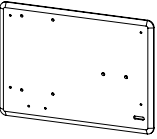
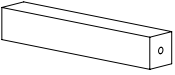
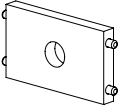
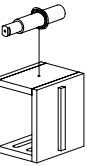
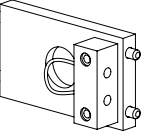
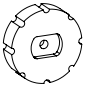

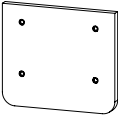
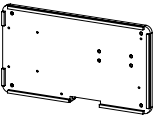

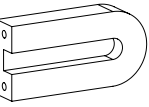
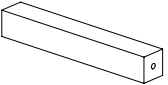

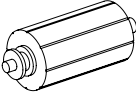
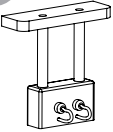
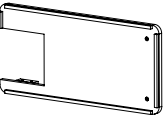
If there is anything you think could be improved in these instructions or in the assembly of this product we'd be grateful if you could let us know; we'll pass any helpful hints and tips on to other customers via our website and update the instructions.

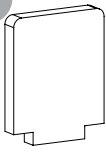
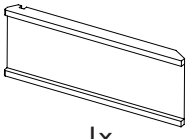

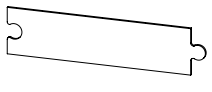
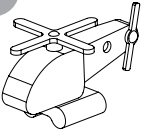
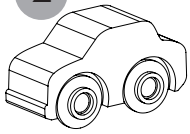
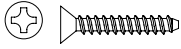
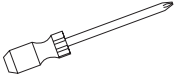
All you need to do is drop us a line at [**instructions@gltc.co.uk**](mailto:instructions@gltc.co.uk)

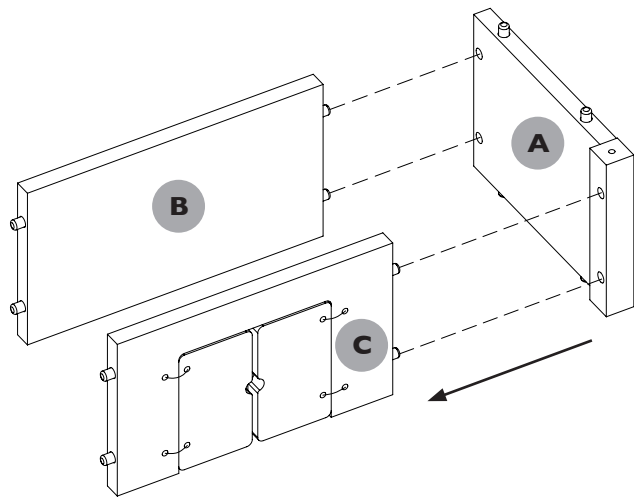
Thank you

	Registered Address: GLTC Ltd, 12 Buckhold Road, Wandsworth, London, SW18 4GP, United Kingdom
	Authorised Representative: Authorised Representative Service, 77 Camden Street Lower, Dublin, D02 XE80, Ireland

Component Check List

A  1x	B  1x	C  1x	D  1x
E  1x	F  2x	G  1x	H  1x
I  1x	J  1x	K  2x	L  1x
M  1x	N  1x	O  2x	P  2x
Q  1x	R  2x	S  1x	T  1x

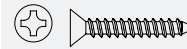
U  1x	V  1x	W  4x	X  4x
Y  1x	Z  1x	#1  32x Screws 21mm	You will need (not supplied)  Phillips Head Screwdriver



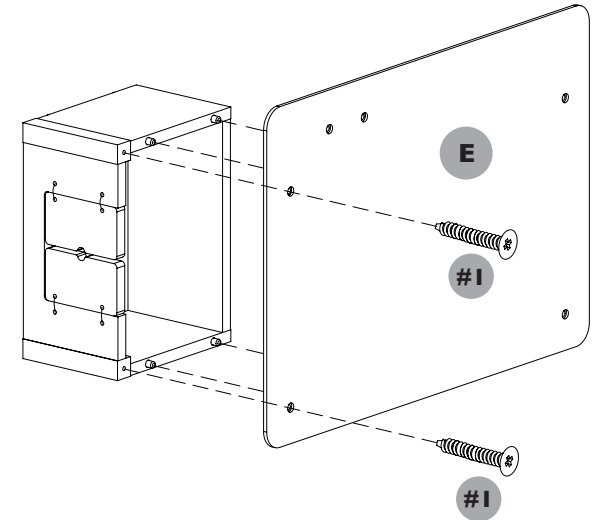
STEP 1:

Using the pre-inserted dowels on panels B and C, attach side panel A.

Hardware for Step 3:

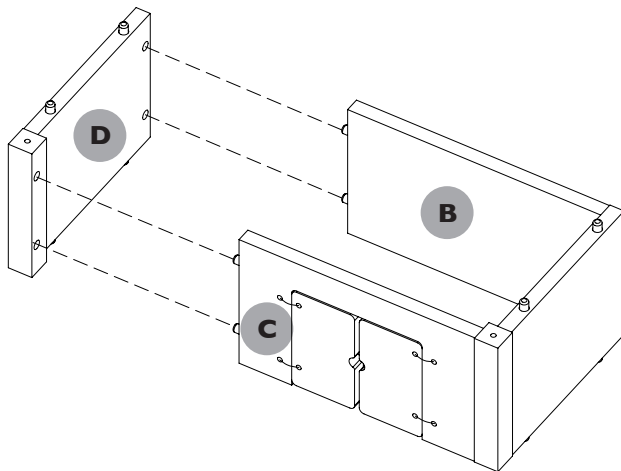


2x #1 Screws

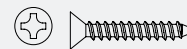


STEP 3:

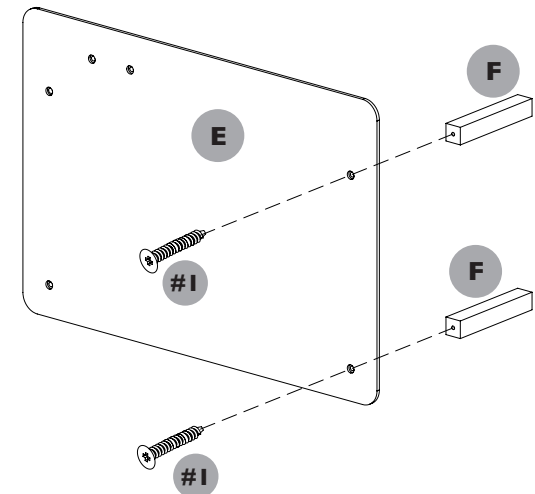
Attach assembled parts from Step 1 and 2 to panel E using 2x screws (#1).



Hardware for Step 4:



2x #1 Screws



STEP 2:

Attach side panel D, again using the pre-inserted dowels on panels B and C from step 1.

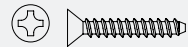
(This will be unstable until it has been attached to the base in the next step).

STEP 4:

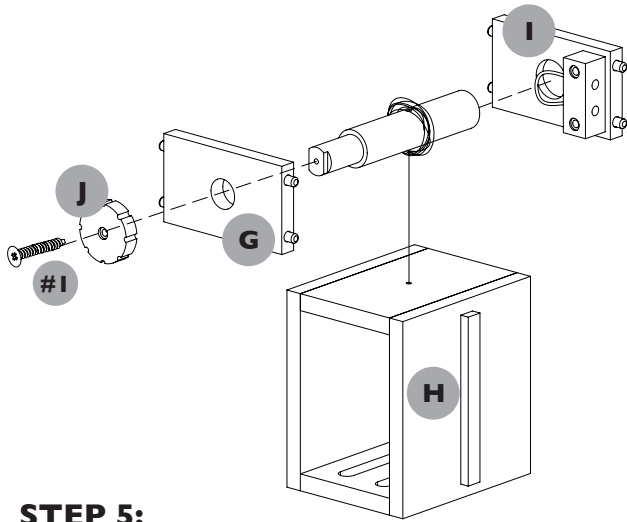
Attach 2x pillars (part F) to base panel E using 2x screws (#1).

(Please note, these are the 2 smaller pillars of the 4).

Hardware for Step 5:



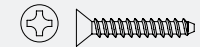
1x #1 Screws



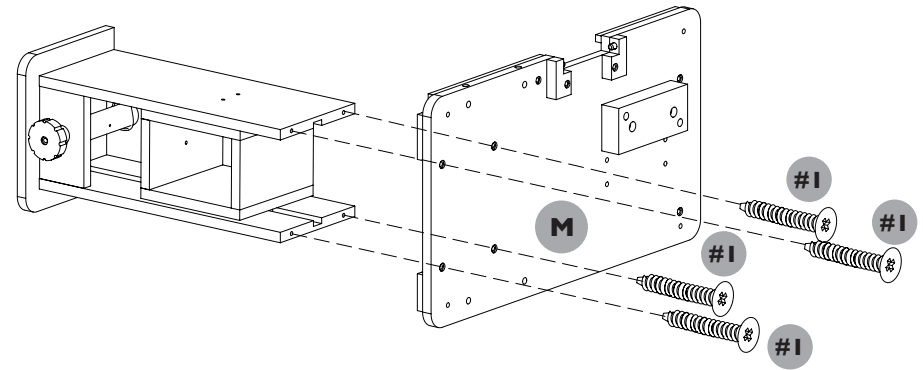
STEP 5:

Find pre-assembled part H, and slot components G and I onto either end of the rod. Secure component J onto component G with 1x screw (#1).

Hardware for Step 7:



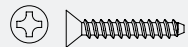
4x #1 Screws



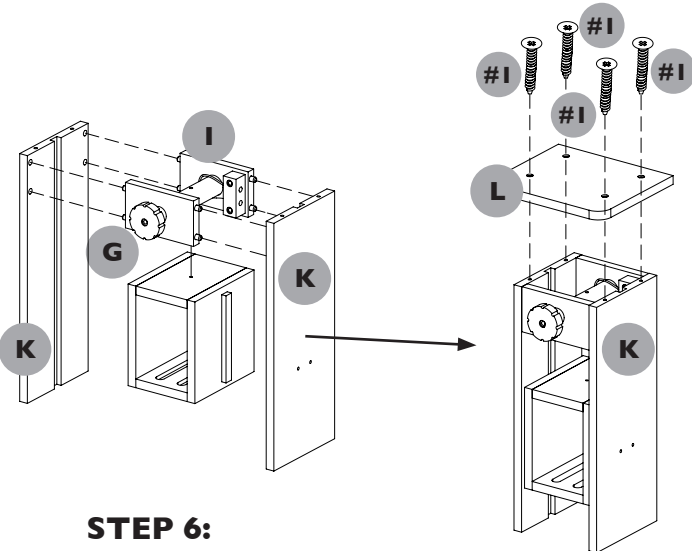
STEP 7:

Attach the lift shaft structure to panel M using 4x screws (#1).

Hardware for Step 6:



4x #1 Screws



STEP 6:

Using the pre-attached dowels on either end of parts G and I, attach 2x panel K to the side of the lift previously assembled in Step 5.

(The lift will hang down, take care to ensure cord is not tangled and hanging neatly down so it can be wound up/ down when assembled).

Attach panel L to the top of panel K using 4x screws (#1).

STEP 8:

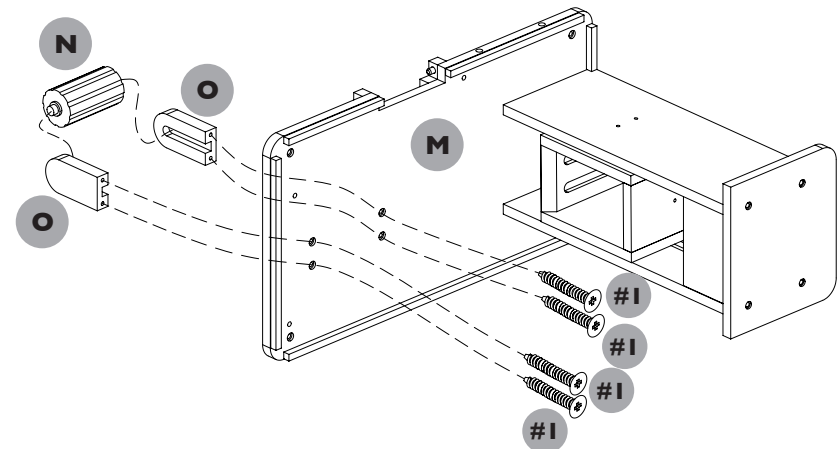
Attach part N to 2x part O (roller side panels).

Once attached, hold part N in place (between the roller side panels) and attach 2x part O to the underside of panel M using 4x screws (#1).

Hardware for Step 8:

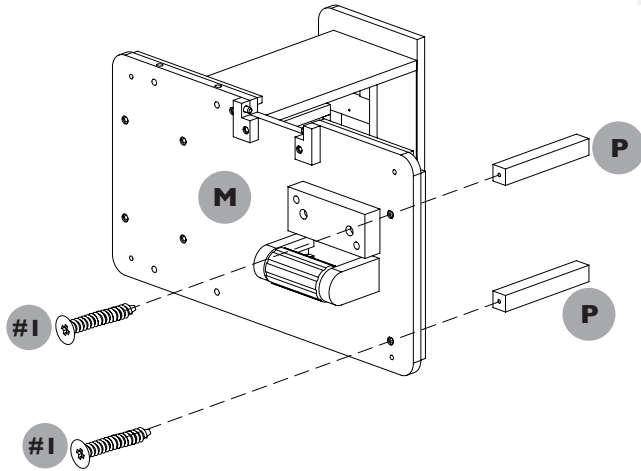


4x #1 Screws

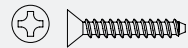


STEP 9:

Attach 2x P pillars onto the top of panel M (these are the larger of the 4) using 2x screws (#1).



Hardware for Step 9:



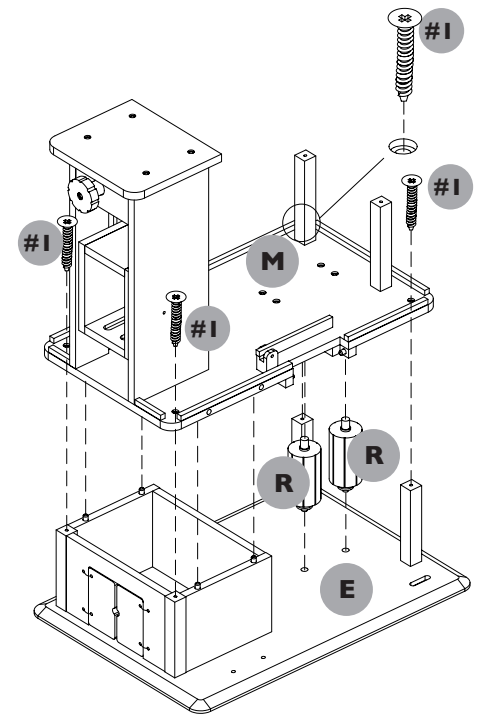
2x #1 Screws

STEP 11:

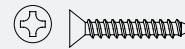
Insert parts R (car wash rollers) into base panel E. One end of the rollers will have a larger dowel piece, this end goes into the base panel E.

Once balanced, attach panel M (from step 10) using 4x screws (#1).

You will need to carefully align panel M, ensuring the pillars and car wash rollers are in place.



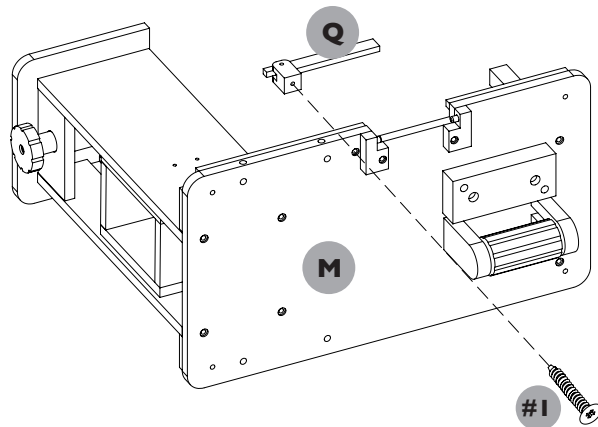
Hardware for Step 11:



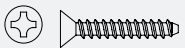
4x #4 Screws

STEP 10:

Attach garage barrier part Q to panel M using 1x screw (#1).



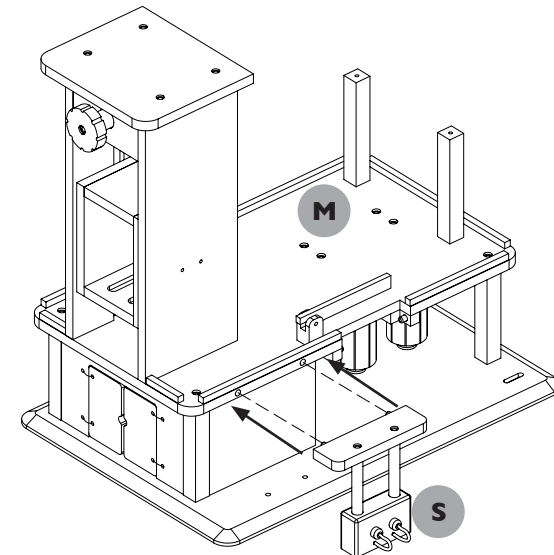
Hardware for Step 10:



1x #1 Screws

STEP 12:

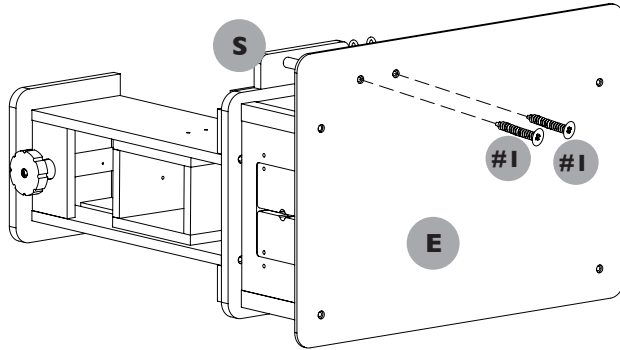
Using the pre-assembled dowels on part S, insert these into the side edge of panel M next to the garage barrier.



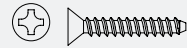
STEP 13:

Secure part S to base panel E using 2x screws (#1).

(You will need to carefully turn the garage on its side to do this).



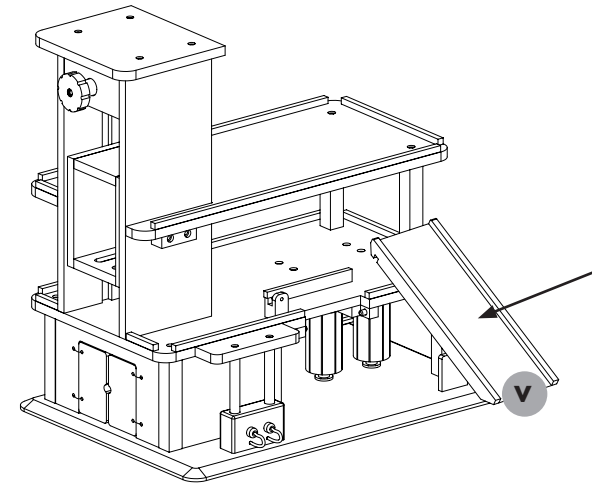
Hardware for Step 13:



2x #1 Screws

STEP 15:

Using the pre-attached dowels on part V, attach the garage ramp to the middle level.



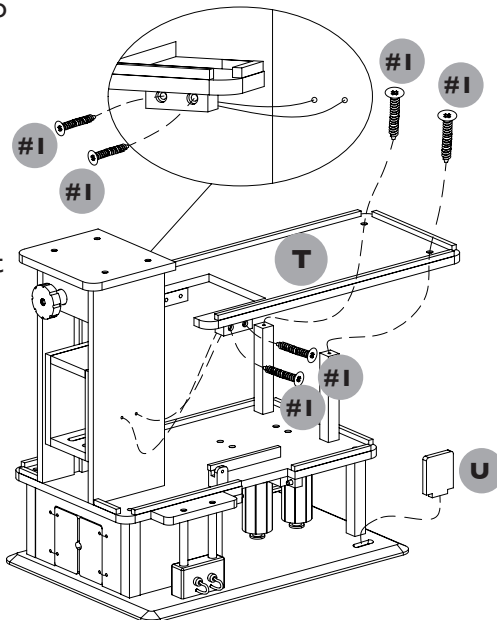
STEP 14:

Attach panel T to lift using 4x screws (#1)

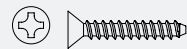
You will need to carefully align the wooden blocks (already attached to panel T) to the screw holes on the lift panels.

Once the panel T is secured to the lift section, secure the other end of panel T to the pillars using 2x screws (#1).

Add part U (car wash sign) to front of garage.



Hardware for Step 14:



6x #1 Screws

STEP 16:

To assemble the oval track, join together 4x part W and 4x part X.

Finish by placing part Z the car, and part Y the helicopter, in position.

