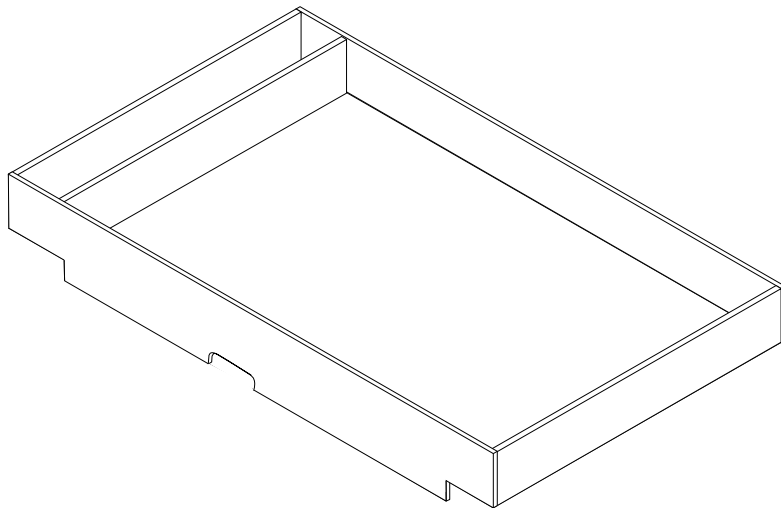




gltc.co.uk

## Little Wren Cot Top Changer



Assembly Difficulty



easy - medium - hard



one-person job



25/05/2021

**Thank you for shopping with GLTC, we hope you enjoy having this product in your home.**

We know assembling furniture, toys or accessories is not everyone's favourite way to spend their time, so we've tried to make assembling this item as quick and painless as possible.

### **A few important pointers before you start:**

- Please read the instructions right through before you start, and check that all the components have been included in the pack; we find separating all the hardware into piles makes it easier to be sure that everything is present and correct.
- Make sure you have the right tools. Allen keys are provided if required, but screw drivers and other tools are not. You'll find details of the tools you need at the beginning of the instructions.
- It's a good idea to build the unit in the room where you are going to be using it, to avoid the need to move it after it's been assembled.
- Do not throw away any packing materials until assembly is complete, just in case you accidentally discard smaller parts or hardware.

## Safety Warnings:

- **IMPORTANT. RETAIN FOR FUTURE REFERENCE. READ CAREFULLY**
- This product has been tested and conforms to BS EN 12221-1: 2008 + A1: 2013.
- This product is suitable for use from birth to 12 months or upto 11 kgs whichever comes first.
- This product has been designed to be used with a changing pad 75cm x 45cm x 5cm.
- **DO NOT LEAVE THE CHILD UNATTENDED!** Adult supervision always required.
- **CAUTION, Adult assembly required.** Assembly to be carried out by competent adults only.
- Assemble and use on a flat and level surface.
- Do not use power tools in the construction of this product.
- Unassembled product contains small parts which may present a choking hazard to young children and pets.
- Children should be kept away from the product during assembly to avoid any possible injury.
- **DO NOT** place this cot changer near windows or open fire and other sources of strong heat, such as electric bar fires, gas fires, etc.
- Check fixtures and fittings regularly and tighten, as necessary.
- Always attached the changer to the top of the cot using the attached straps, before each use.
- **WARNING.** Do not use this product if any part becomes broken, torn or missing. Please contact GLTC Customer Services on 0344 848 6000 immediately to arrange for suitable replacement parts.

## Customer Service:

- If you find that any components are missing or damaged, please do not begin assembly and do not use the item. Please contact GLTC Customer Services on **0344 848 6000** immediately.
- We do stock spare hardware packs at our warehouse, so we should be able to send you a replacement pack immediately if required.

## Product Care:

- Clean any spillages and dry immediately. Wipe clean using a soft damp cloth followed by a dry cloth.
- Do **NOT** use cleaning products which contain ammonia, solvents or abrasive material.
- Do **NOT** expose the item to extremes of heat and humidity.

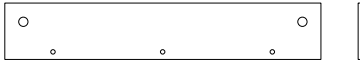
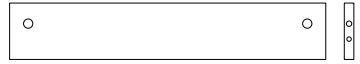
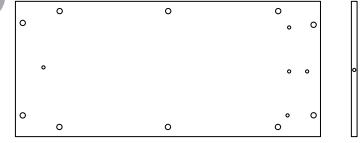
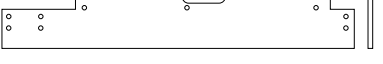
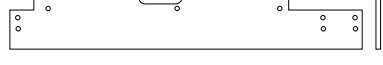
## Could we do better?

If there is anything you think could be improved in these instructions or in the assembly of this product we'd be grateful if you could let us know; we'll pass any helpful hints and tips on to other customers via our website and update the instructions.

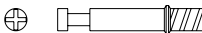


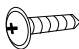
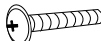




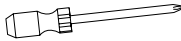
All you need to do is drop us a line at [instructions@gltc.co.uk](mailto:instructions@gltc.co.uk)

Thank you.


## Component Check List

<p><b>A</b></p>  <p>2x Side Panels</p>	<p><b>B</b></p>  <p>1x Divider Panel</p>
<p><b>C</b></p>  <p>1x Base Panel</p>	<p><b>D</b></p>  <p>1x Left Side Panel</p>
<p><b>E</b></p>  <p>1x Right Side Panel</p>	



## Hardware Check List

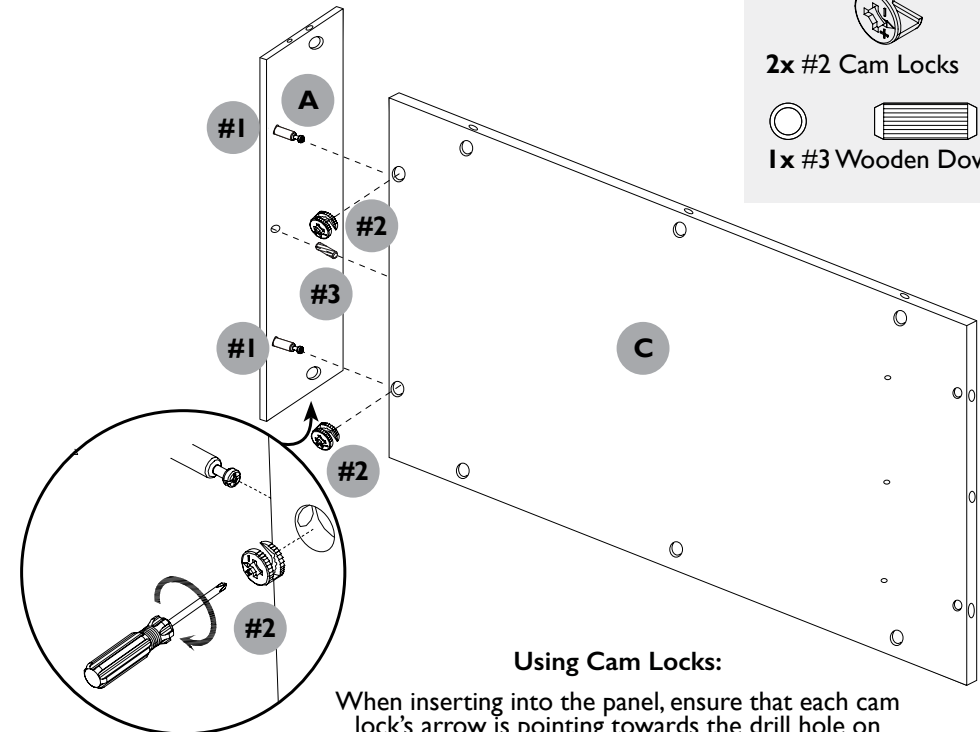
<p><b>#1</b></p>  <p>16x Cam Dowels</p>	<p><b>#2</b></p>  <p>16x Cam Locks</p>
<p><b>#3</b></p>  <p>8x Wooden Dowels</p>	<p><b>#4</b></p>  <p>2x Wood Screws (10mm)</p>
<p><b>#5</b></p>  <p>3x Wood Screws (25mm)</p>	<p><b>#6</b></p>  <p>2x Safety Straps</p>
<p><b>#7</b></p>  <p>2x Protective Strips (160mm)</p>	<p><b>#8</b></p>  <p>2x Protective Strips (80mm)</p>
<p><b>#9</b></p>  <p>2x Flat Washers (10mm)</p>	<p>You will need (not supplied)</p>  <p>1x Phillips Screwdriver</p>

### Hardware for Step 1:

   
2x #1 Cam Dowels

  
2x #2 Cam Locks

   
1x #3 Wooden Dowels



### Using Cam Locks:

When inserting into the panel, ensure that each cam lock's arrow is pointing towards the drill hole on the side edge of the panel & the dowel that it will be receiving. When the panels are in the connected position, using a screwdriver, turn the cam lock in a clockwise direction to lock and secure.

### STEP 1:

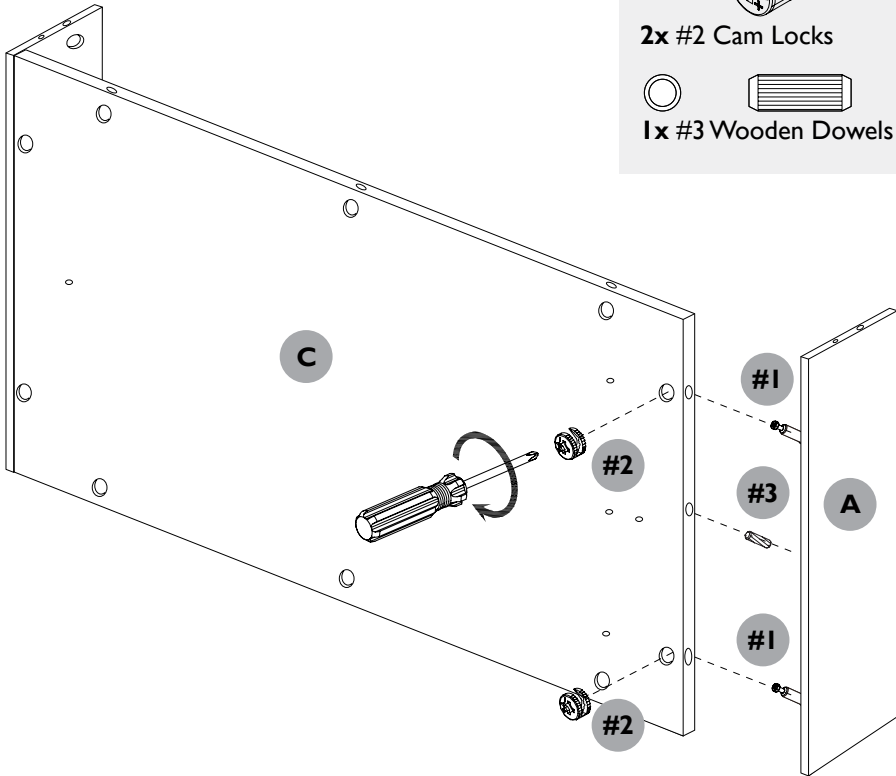
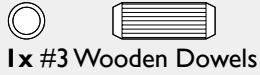
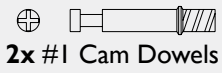
Working on a protective surface like a carpet or a rug, take one side panel (A) and insert 2x cam dowels (#1) into the outer holes along the edge of the panel using a Phillips screwdriver.

Insert 1x wooden dowel (#3) into the inner hole between each cam dowel.

Orientate base panel (C) so that all the drill holes are facing outwards as shown (important!) and join with one side panel (A) on the end that has 2 large drill holes on the shorter edge.

To secure the panel in position, insert 2x cam locks (#2) into the large drill holes on base panel (C) and turn them clockwise to lock as shown.

### Hardware for Step 2:



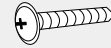
### STEP 2:

As for step 1, take the second side panel (A) and insert 2x cam dowels (#1) into the outer holes along the edge of the panel using a Phillips screwdriver.

Insert 1x wooden dowel (#3) into the hole between each cam dowel and position the side panel (A) to the bottom side of base panel C.

To secure the panel in position, insert 2x cam locks (#2) into the large drill holes on base panel (C) and turn them clockwise to lock as shown.

### Hardware for Step 3:

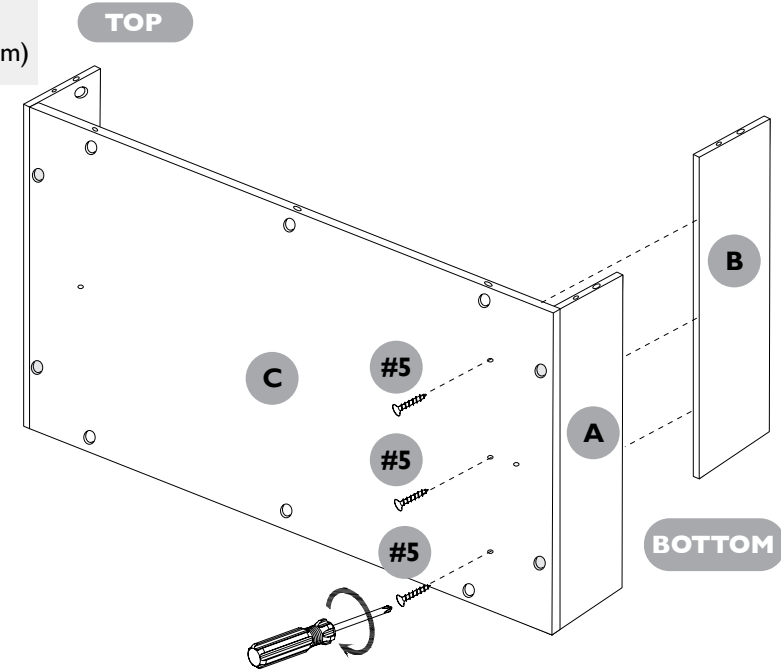


3x #5 Wood Screws (25mm)

### STEP 3:

Attach divider panel (B) to the unit.

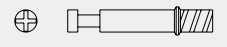
Position divider panel (B) with the large drill holes facing the top of the unit and fix it to base panel (C) using 3x wood screws (25 mm). Fully tighten using a Phillips screwdriver as shown.



### STEP 4:

Prepare both side panels (D) & (E) by inserting 6x cam dowels (#1) and 3x wooden dowels (#3) into the drill holes shown on EACH panel.

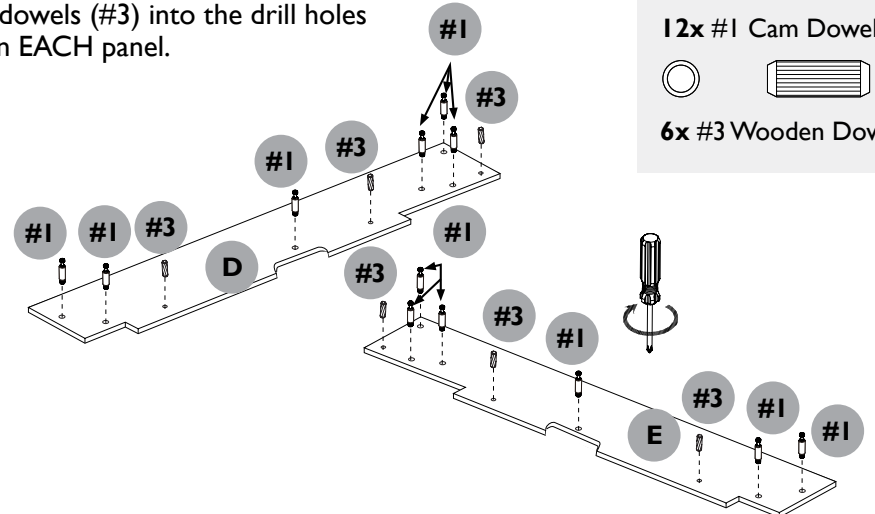
### Hardware for Step 4:

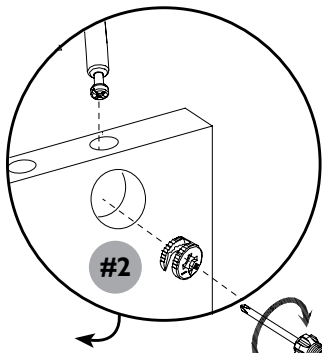


12x #1 Cam Dowels



6x #3 Wooden Dowels



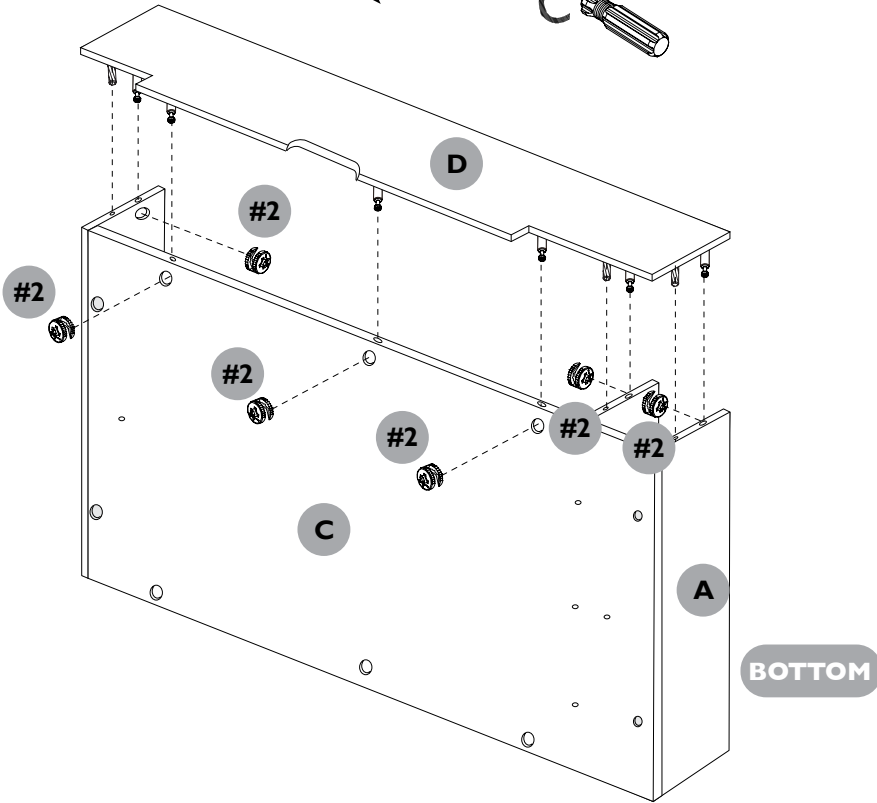


**Hardware for Step 5:**



**6x #2 Cam Lock**

**TOP**

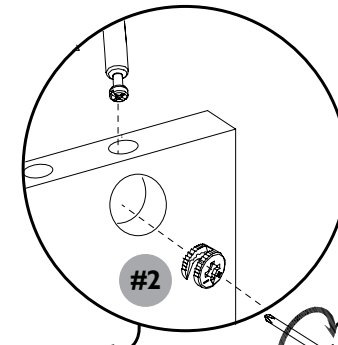


**BOTTOM**

**STEP 5:**

Attach side panel (D) to the unit.

Position side panel (D) with the recessed edges facing down as shown and push into position. When in place, insert 6x cam locks (#2) into the large drill holes on base panel (C), small side panels (A) and divider panel (B). Turn clockwise to lock and secure.

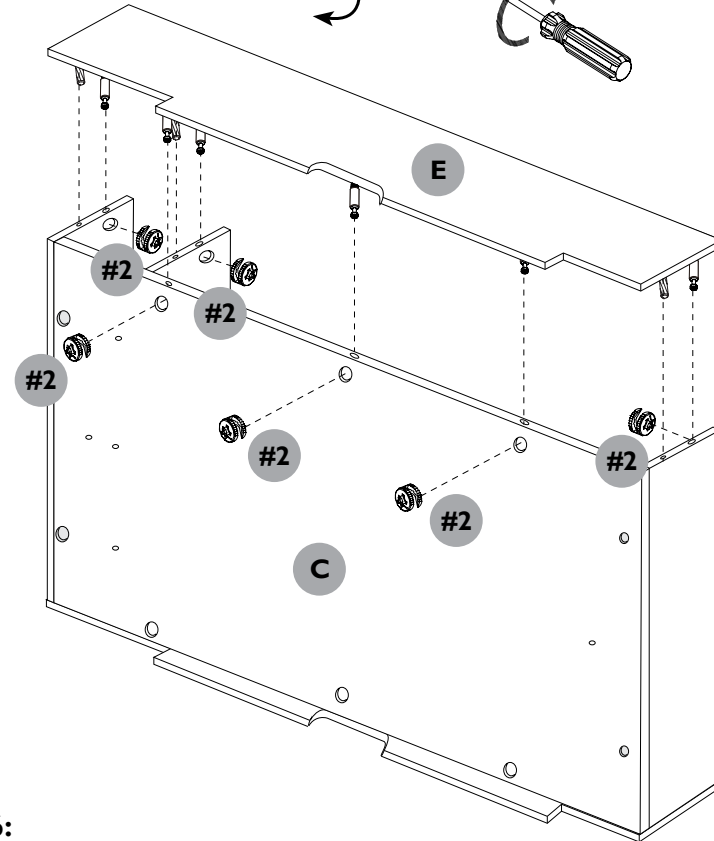


**Hardware for Step 6:**



**6x #2 Cam Lock**

**E**



**STEP 6:**

Flipping the unit on the other side, attach side panel (E).

Position side panel (E) with the recessed edges facing down as shown and align the hardware on panel (E) with the corresponding holes on the edges of the panels 2x A, B and C. Push into position. When in place, insert 6x cam locks (#2) into the large drill holes on these receiving panels and turn clockwise to secure.

### Hardware for Step 7:



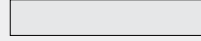
2x #4 Wood Screws (10mm)



2x #6 Safety Straps



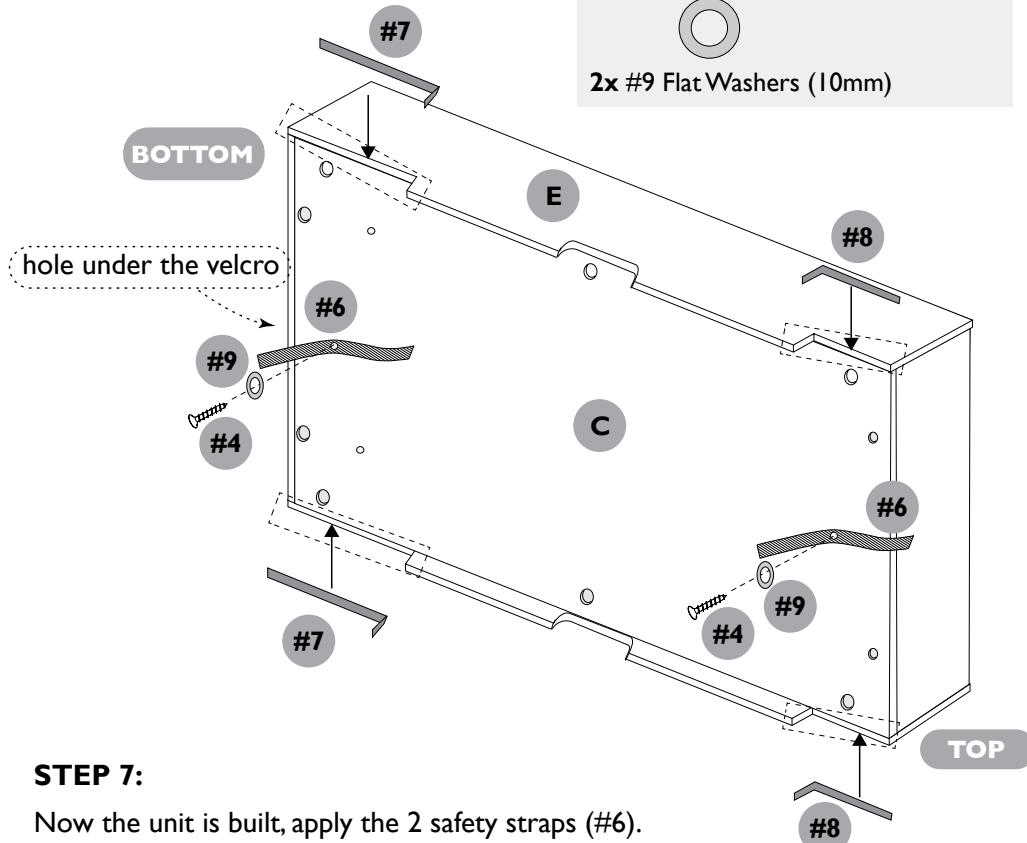
2x #7 Long Protective Strips (160mm)



2x #8 Short Protective Strips (80mm)



2x #9 Flat Washers (10mm)



### STEP 7:

Now the unit is built, apply the 2 safety straps (#6).

There is one for the centre of each end of the unit and EACH strap is applied with 1x flat washer (#9) and 1x wood screw (10mm) (#4). See illustration for positioning.

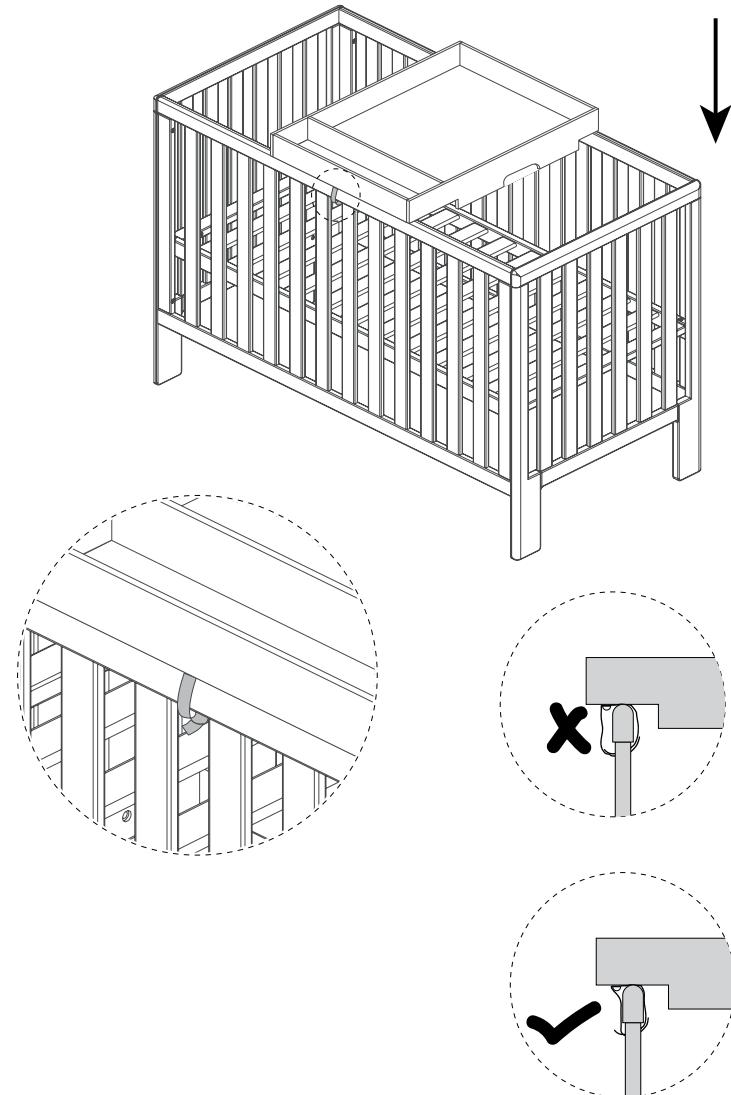
Next, apply the protective strips (#7 & #8) to the recessed edges of the side panels. There are 2x long strips (#7) and 2x shorter strips (#8) - please apply to the correctly sized edges. These will protect the top edges of your cot bed when using the changing unit.

### STEP 8:

Before each use, place the changer on the top of the cot or cot bed in a central position and attach using the safety straps (#6) as shown below. The safety straps should be tightly attached around the top rail and the hook & loop tapes should be over-lapping to secure.

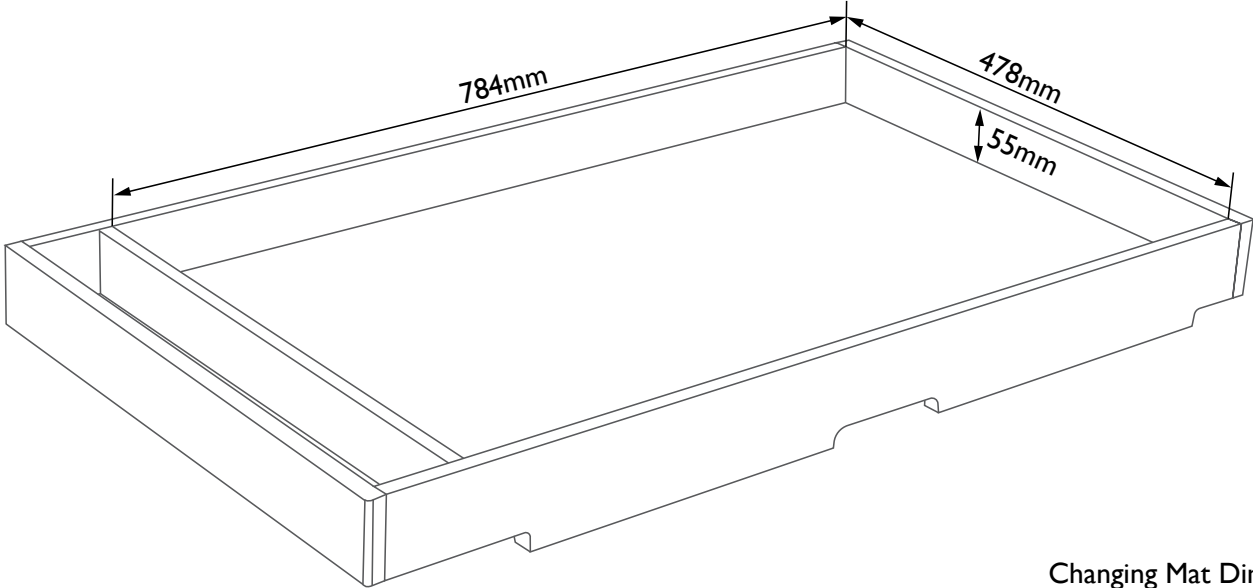
DO NOT use the changer close to one end or the other as this may provide gaps which can trap and injure little limbs.

**Your product is now ready to use.**



**Mat Placement and Size Guidance:**

Internal Changing Mat Area Dimensions: 784mm (l) x 478mm (w) x 55mm (h)



Changing Mat Dimensions: 750mm (l) x 450mm (w) x 50mm (h)

