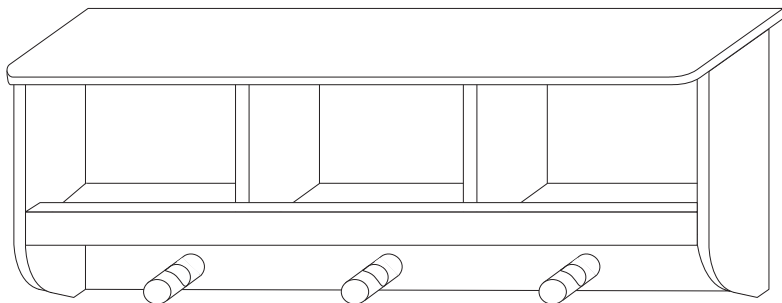




gltc.co.uk

Pigeonhole Wall Shelf

L4926



Thank you for shopping with GLTC, we hope you enjoy having this product in your home.

We know assembling furniture, toys or accessories is not everyone's favourite way to spend their time, so we've tried to make assembling this item as quick and painless as possible.

Hopefully our efforts will have been worthwhile and you'll sail through the whole process. But if it all feels a bit too much like hard work, then we do have an assembly company we can recommend: the Flatpack Construction Company offers a nationwide service and can be contacted on **0843 289 4951** or **www.flatpackconstruction.co.uk**.

A few important pointers before you start:

- Please read the instructions right through before you start, and check that all the components have been included in the pack; we find separating all the hardware into piles makes it easier to be sure that everything is present and correct.
- Make sure you have the right tools. Allen keys are provided if required, but screw drivers and other tools are not. You'll find details of the tools you need at the beginning of the instructions.
- Do not throw away any packing materials until assembly is complete, just in case you accidentally discard smaller parts or hardware.

Assembly Difficulty



easy - medium - hard



one-person job

VI

11/12/2019

Safety Warnings:

- Adult assembly required.
- In an unassembled state product contains small parts, which may pose a choking hazard, not suitable for children under 3 years.
- Children should be kept away from the product during assembly to avoid any possible risk of injury.
- DO NOT use power tools in the assembly of this product as there is a risk of over-tightening and consequently splitting of the wood.
- Check all fixtures and fittings regularly and tighten as necessary.
- Check the item regularly for signs of damage, which may make the product unsafe.
- Maximum weight load is 10kg. Do not overload. We do not recommend that you place heavy items above children's beds or above head height as products may fall and cause injury.
- Please retain these instructions for future reference.
- Wall fixings not included. Please use appropriate fixings that are suitable for the wall type. If in doubt, please seek professional advice.

Customer Service:

- If you find that any components are missing or damaged, please do not begin assembly and do not use the item. Please contact GLTC Customer Services on **0344 848 6000** immediately.
- We do stock spare hardware packs at our warehouse, so we should be able to send you a replacement pack immediately if required.

Product Care and Information:

- Wipe clean using a soft damp cloth followed by a dry cloth.
- Do NOT use cleaning products which contain ammonia, solvents or abrasive material.
- Do NOT expose the item to extremes of heat and humidity.
- Made in China.


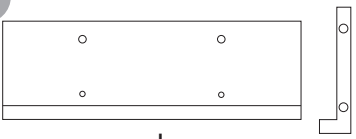
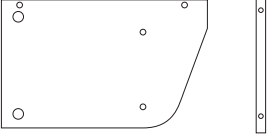
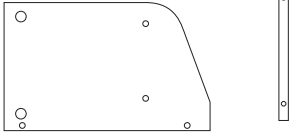
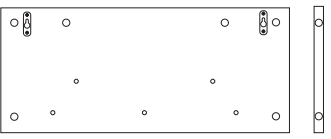
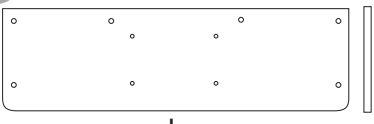
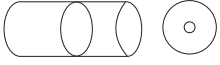
Could we do better?

If there is anything you think could be improved in these instructions or in the assembly of this product we'd be grateful if you could let us know; we'll pass any helpful hints and tips on to other customers via our website and update the instructions.

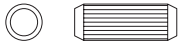

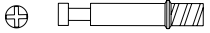
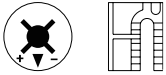
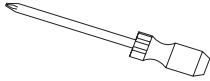
All you need to do is drop us a line at [**instructions@gltc.co.uk**](mailto:instructions@gltc.co.uk)

Thank you

Component Check List

<p>A</p>  <p>2x</p>	<p>B</p>  <p>1x</p>
<p>C</p>  <p>1x</p>	<p>D</p>  <p>1x</p>
<p>E</p>  <p>1x</p>	<p>F</p>  <p>1x</p>
<p>G</p>  <p>3x</p>	

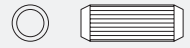
Component Check List

<p>#1</p>  <p>6x Wooden dowel 5x20mm</p>	<p>#2</p>  <p>7x Screw 3.5x25mm</p>
<p>#3</p>  <p>14x Cam dowel 7x36mm</p>	<p>#4</p>  <p>14x Cam lock 14x10mm</p>
<p>You will need (not supplied)</p>  <p>Philips Head Screwdriver</p>	

STEP 1:

Insert x1 wooden dowel (#1) into both panels A.
Attach panels A to panel B using x2 screws (#2).

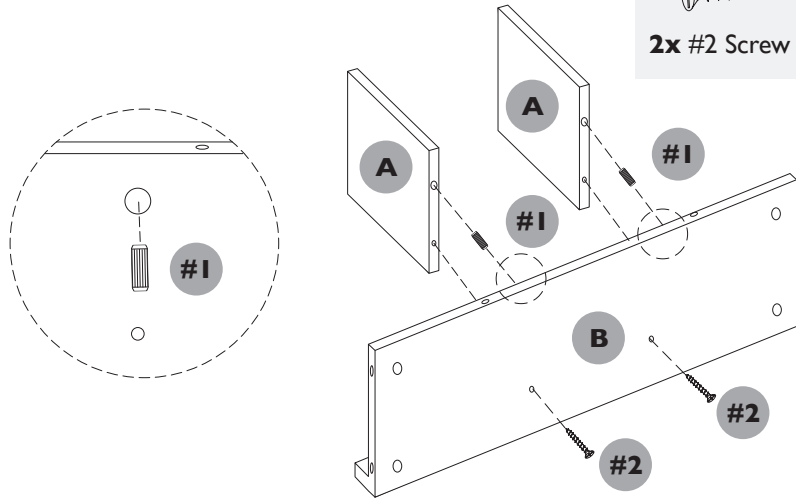
Hardware for Step 1:



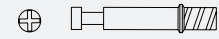
2x #1 Wooden dowel



2x #2 Screw

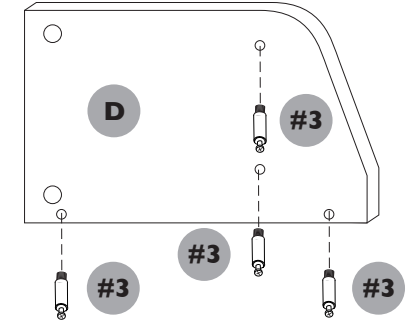
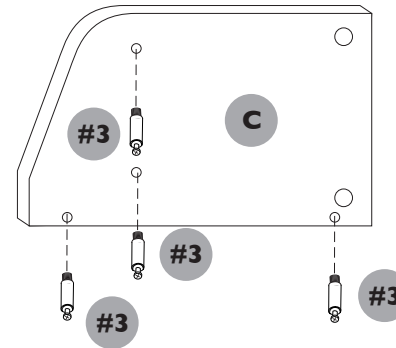


Hardware for Step 3: STEP 3:



8x #3 Cam dowel

Insert x4 cam dowels (#3) in to the holes shown on panels C and D.

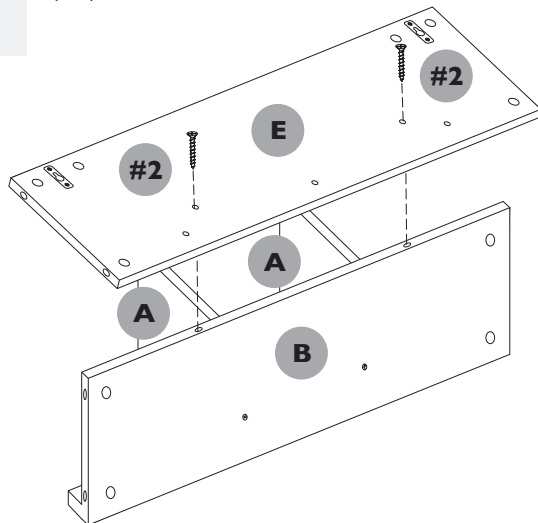


Hardware for Step 2: STEP 2:



2x #2 Screw

Attach panel E to panels A and B using x2 screws (#2).

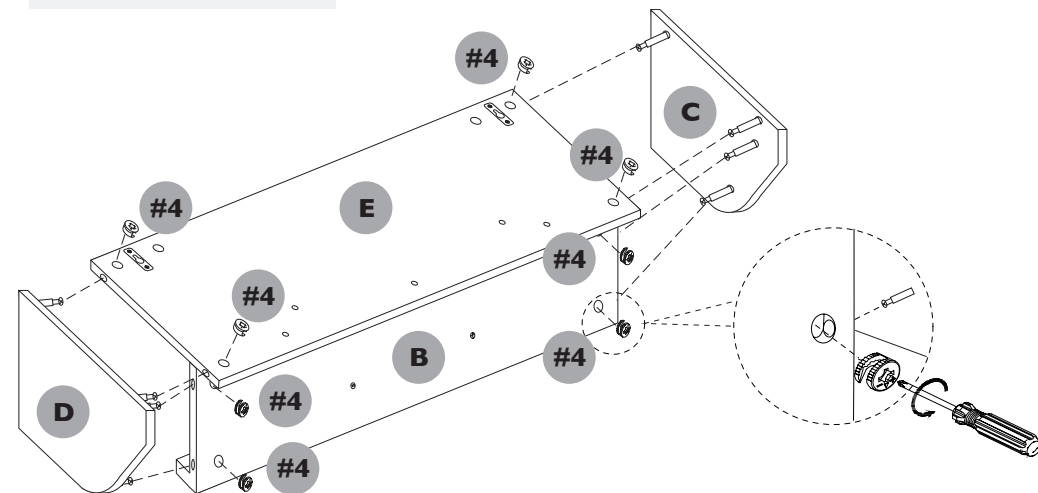


Hardware for Step 4: STEP 4:

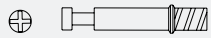


8x #4 Cam lock

Attach panels C and D to the joined panels E and B, securing in place with x8 cam locks on each side (#4).

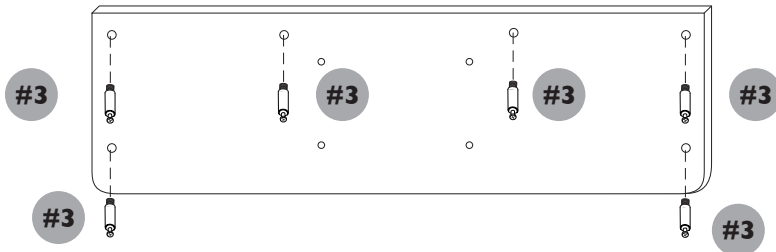


Hardware for Step 5: STEP 5:



6x #3 Cam dowel

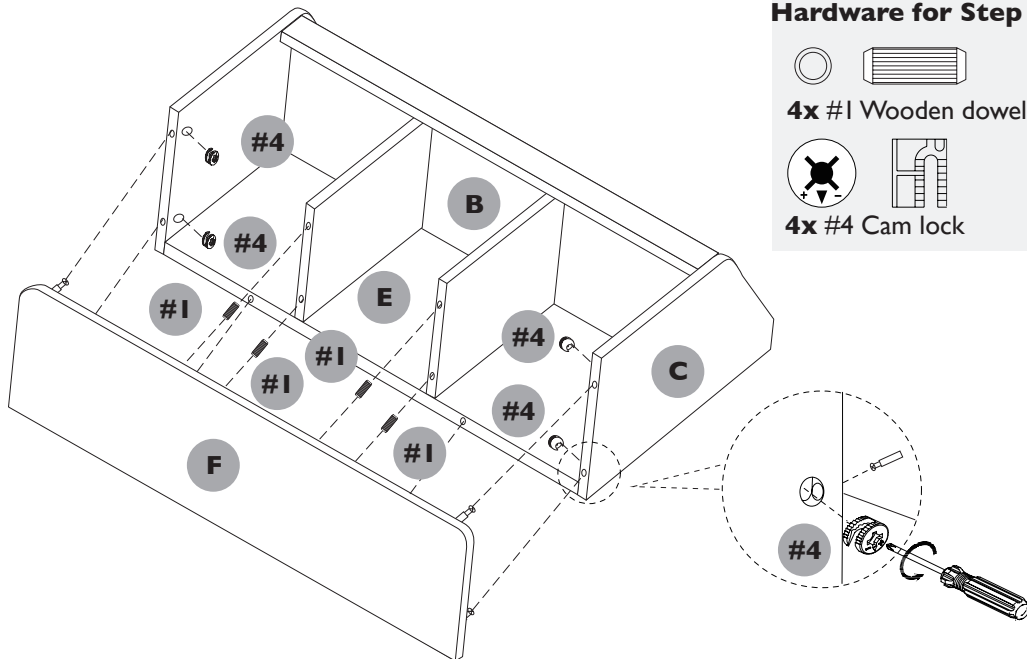
Screw in x6 cam dowels (#3) into panel F.



STEP 6:

Insert x4 wooden dowels #1 into panel F.

Attach top shelf panel F using x4 cam locks (#4) to secure in place turning clockwise to tighten.



Hardware for Step 6:



4x #1 Wooden dowel



4x #4 Cam lock

Hardware for Step 7: STEP 7:



2x #4 Cam lock

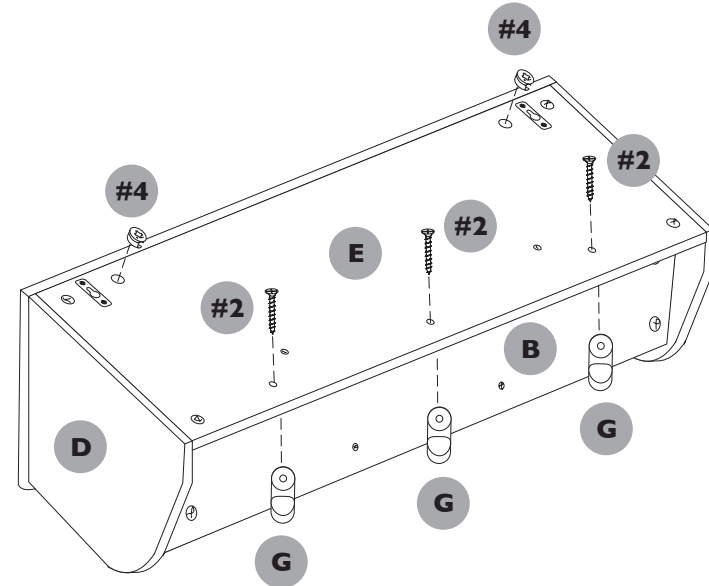


3x #2 Screw

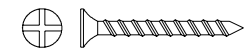
Carefully turn over the unit.

Insert 2x cam locks (#4) into panel E as shown, and turn clockwise to tighten.

Attach the 3x pegs (G) to panel E using 3x screws (#2) as shown. Ensure the routed groove in the peg is facing toward the top of the unit.



2x Wall Fixings (NOT INCLUDED)



We suggest using M4*40mm flat head screws or screws of a similar size. Please ensure to use the appropriate wall fixing for your wall type. If in doubt, please seek professional advice.