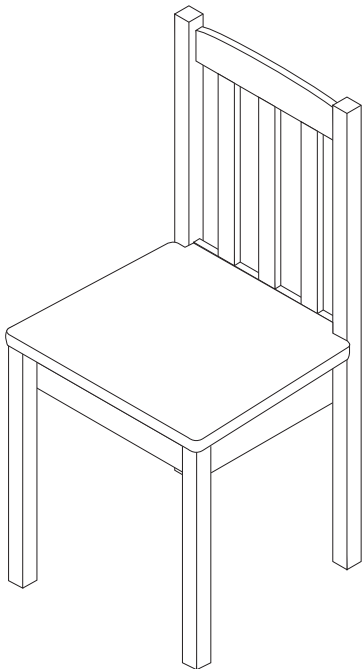




gltc.co.uk

## Junior Whittington Chair L4983



Assembly Difficulty



easy - medium - hard



one-person job

V3

21/12/2021

GLTC Ltd, 12 Buckhold Road, Wandsworth, London, SW18 4GP, United Kingdom

**Thank you for shopping with GLTC, we hope you enjoy having this product in your home.**

We know assembling furniture, toys or accessories is not everyone's favourite way to spend their time, so we've tried to make assembling this item as quick and painless as possible.

### **A few important pointers before you start:**

- It might be worth checking on our website that there are no updates or revisions to these instructions (if we have had helpful feedback from other customers we pass it on via the product web page). Simply check the date and version number on the front of this leaflet against that of any site updates.
- Please read the instructions right through before you start, and check that all the components have been included in the pack; we find separating all the hardware into piles makes it easier to be sure that everything is present and correct.
- Make sure you have the right tools. Allen keys are provided if required, but screw drivers and other tools are not. You'll find details of the tools you need at the beginning of the instructions.
- It's a good idea to build the unit in the room where you are going to be using it, to avoid the need to move it after it's been assembled.
- Do not throw away any packing materials until assembly is complete, just in case you accidentally discard smaller parts or hardware.

# IMPORTANT READ CAREFULLY - KEEP FOR FUTURE REFERENCE.

## **SAFETY WARNINGS!**

- This product has been designed, manufactured and tested to comply with BS EN 17191:2021 seating for children.
- Adult assembly required.
- Unassembled product contains small parts which may present a choking hazard.
- Assemble and use on a flat and level surface.
- Children should be kept away from the product during assembly to avoid any possible risk of injury.
- This product is suitable for children in the age range of 5 - 8 years.
- Maximum weight load 30Kg. Do not overload.
- DO NOT place this product near a window as it can be used as a step by the child and cause the child to fall out of the window.
- DO NOT place this product near a window where cords from blinds or curtains could strangle a child.
- Be aware of the risk of open fires and other sources of strong heat in the vicinity of the product.
- DO NOT use power tools in the assembly of this product as there is a risk of over-tightening and consequently splitting of the wood.
- Check all fixtures and fittings regularly and tighten as necessary.
- WARNING. Do not use this chair if any part becomes broken, torn or missing. Please contact GLTC Customer Services on 0344 848 6000 immediately to arrange for suitable replacement parts.

## **Customer Service:**

- If you find that any components are missing or damaged, please do not begin assembly and do not use the item. Please contact GLTC Customer Services on **0344 848 6000** immediately.
- We do stock spare hardware packs at our warehouse, so we should be able to send you a replacement pack immediately if required.

## **Product Care:**

- Wipe clean using a soft damp cloth followed by a dry cloth.
- Do NOT use cleaning products which contain ammonia, solvents or abrasive material.
- Do NOT expose the item to extremes of heat and humidity.
- Regularly check all fastenings, fixtures and fittings to ensure that they properly tightened.

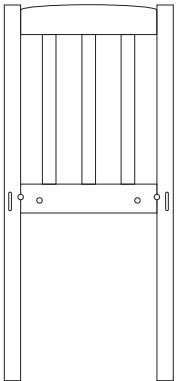
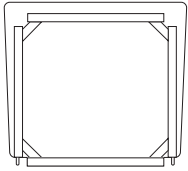
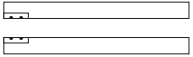


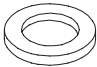

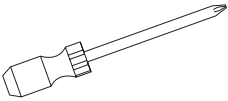
## **Could we do better?**

If there is anything you think could be improved in these instructions or in the assembly of this product we'd be grateful if you could let us know; we'll pass any helpful hints and tips on to other customers via our website and update the instructions.

All you need to do is drop us a line at [\*\*instructions@gltc.co.uk\*\*](mailto:instructions@gltc.co.uk)

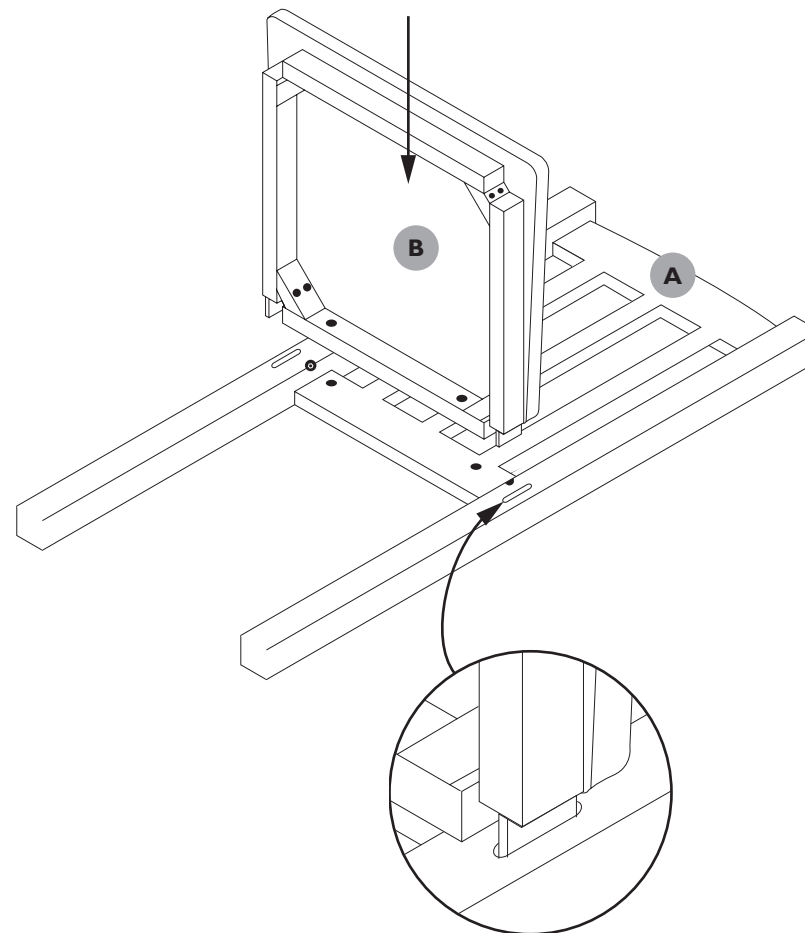
Thank you

## Component Check List

<p><b>A</b></p>  <p>1x Back Panel</p>	<p><b>B</b></p>  <p>1x Seat</p> <hr/> <p><b>C</b></p>  <p>Pair of Legs</p>
<p><b>#1</b></p>  <p>2x Bolts 30mmL</p>	<p><b>#2</b></p>  <p>8x Bolts 45mmL</p>
<p><b>#3</b></p>  <p>10x Washers</p>	<p><b>#4</b></p>  <p>10x Split Washers</p>
	<p>You will need (not supplied)</p>  <p>Phillips Head Screwdriver</p>

### STEP I:

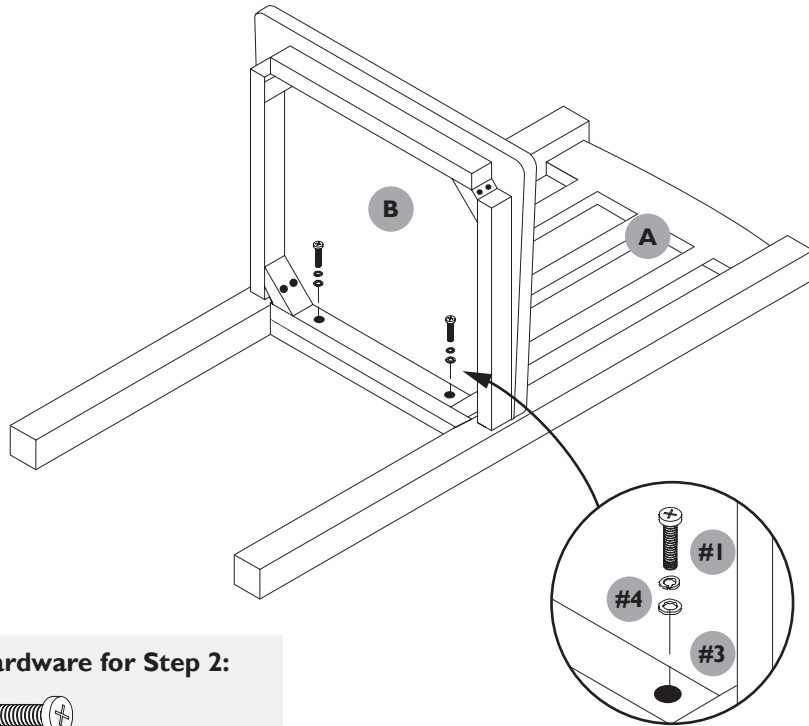
Position the seat B against the back panel A.



## STEP 2:

Take 2x 30mm bolts (#1) and thread on a split washer (#4) first followed by a flat washer (#3) on to each. Screw the bolt and washer sets into the two inner drill holes as shown.

Please note: It is recommended that you do not completely tighten the screws when applying them individually. Wait until all hardware is in place in the stages to follow and semi-tightened, before tightening all securely.



### Hardware for Step 2:



2x #1 30mmL Bolts



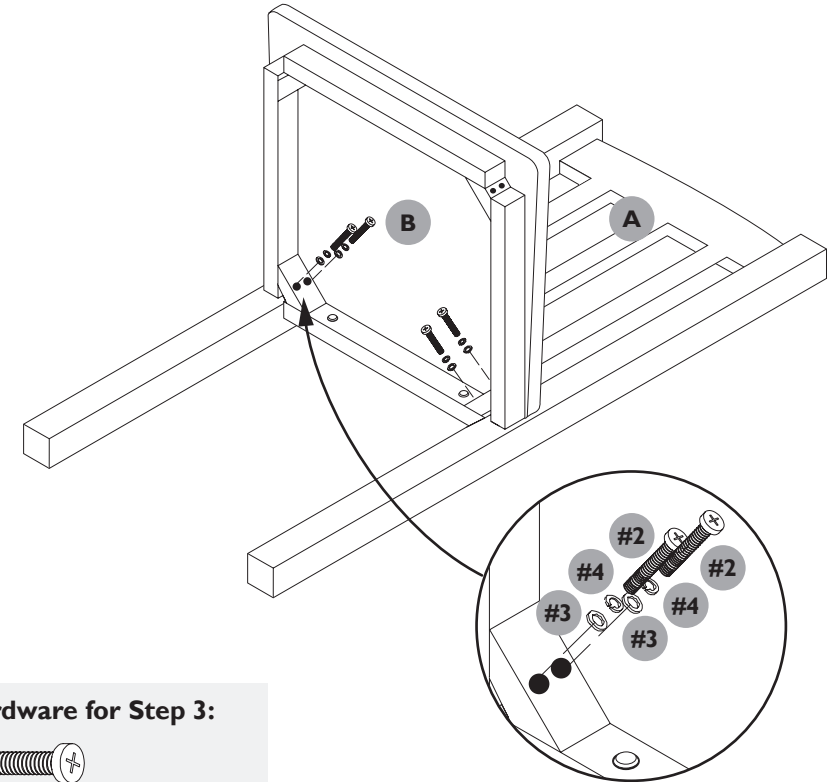
2x #3 Washers



2x #4 Split Washer

## STEP 3:

Take 4x 45mm bolts (#2) and thread on a split washer (#4) first followed by a flat washer (#3) on to each. Screw the bolt and washer sets into the outer drill holes (as shown) to secure the seat panel B.



### Hardware for Step 3:



4x #2 45mmL Bolts



4x #3 Washers



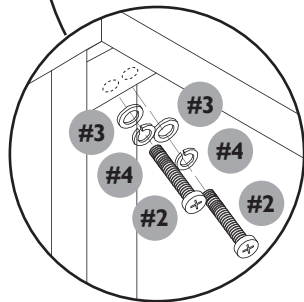
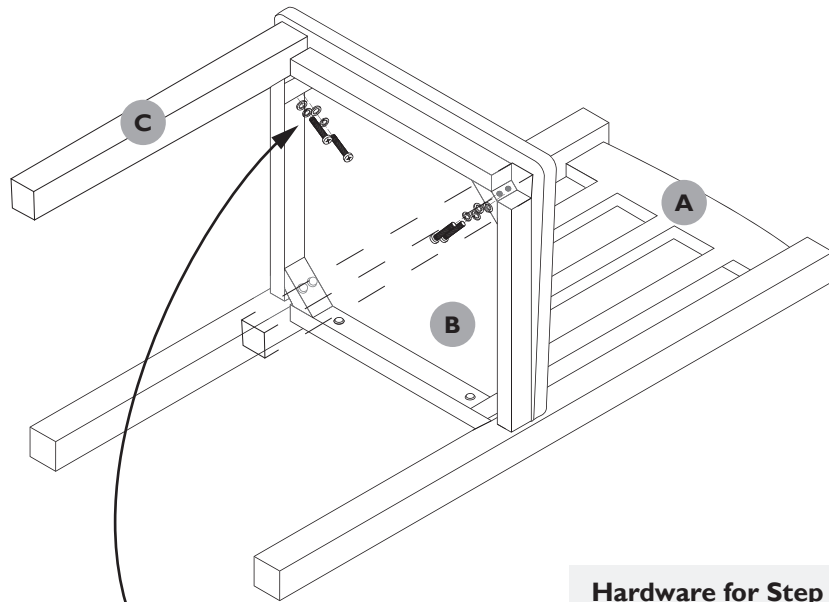
4x #4 Split Washer

#### STEP 4:

Position the left hand front leg C over the seat corner.  
Take 2x 45mm bolts (#2) and thread on a split washer (#4) first followed by a flat washer (#3) on to each. Screw the bolt and washer sets into drill holes.

Repeat with the right hand front leg C.

Please note: Again, it is easier to semi-tighten all the bolts first, before going on to tighten them all completely.



#### Hardware for Step 4:



4x #2 45mmL Bolts



4x #3 Washers



4x #4 Split Washer

#### STEP 5:

Ensure all bolts are fully tightened.

