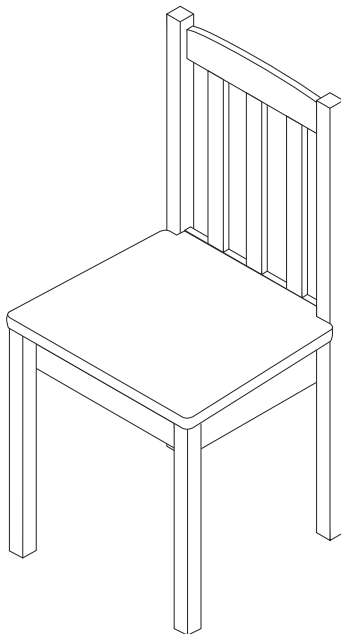




gltc.co.uk

Nelson Chair



Assembly Difficulty



easy - medium - hard



one-person job



07/02/2019

Thank you for shopping with GLTC, we hope you enjoy having this product in your home.

We know assembling furniture, toys or accessories is not everyone's favourite way to spend their time, so we've tried to make assembling this item as quick and painless as possible.

Hopefully our efforts will have been worthwhile and you'll sail through the whole process. But if it all feels a bit too much like hard work, then we do have an assembly company we can recommend: the Flatpack Construction Company offers a nationwide service and can be contacted on **0843 289 4951** or **www.flatpackconstruction.co.uk**.

A few important pointers before you start:

- Please read the instructions right through before you start, and check that all the components have been included in the pack; we find separating all the hardware into piles makes it easier to be sure that everything is present and correct.
- Make sure you have the right tools. Allen keys are provided if required, but screw drivers and other tools are not. You'll find details of the tools you need at the beginning of the instructions.
- It's a good idea to build the unit in the room where you are going to be using it, to avoid the need to move it after it's been assembled.
- Do not throw away any packing materials until assembly is complete, just in case you accidentally discard smaller parts or hardware.

IMPORTANT READ CAREFULLY - KEEP FOR FUTURE REFERENCE.

Safety Warnings:

- Adult assembly required.
- Unassembled product contains small parts which may present a choking hazard.
- Children should be kept away from the product during assembly to avoid any possible risk of injury.
- This product is suitable for children in the age range of 5 to 12 years.
- Maximum weight load 70Kg. Do not overload.
- Assemble and use on a flat and level surface.
- DO NOT use power tools in the assembly of this product as there is a risk of over-tightening and consequently splitting of the wood.
- Check all fixtures and fittings regularly and tighten as necessary.
- DO NOT use this item if any components are missing or damaged
- Please retain these instructions for future reference.

Customer Service:

- If you find that any components are missing or damaged, please do not begin assembly and do not use the item. Please contact GLTC Customer Services on **0344 848 6000** immediately.
- We do stock spare hardware packs at our warehouse, so we should be able to send you a replacement pack immediately if required.

Product Care:

- Wipe clean using a soft damp cloth followed by a dry cloth.
- The painted/lacquered surface is resistant to staining if cleaned immediately, however please protect the surface from contact with ball point pen and indelible style felt markers as the ink is by nature permanent.
- Do NOT use cleaning products which contain ammonia, solvents or abrasive material.
- Do NOT expose the item to extremes of heat and humidity.

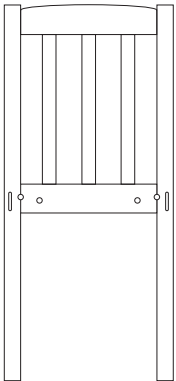
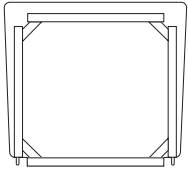

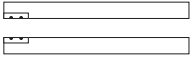

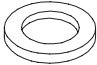

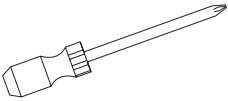
Could we do better?

If there is anything you think could be improved in these instructions or in the assembly of this product we'd be grateful if you could let us know; we'll pass any helpful hints and tips on to other customers via our website and update the instructions.

All you need to do is drop us a line at instructions@gltc.co.uk

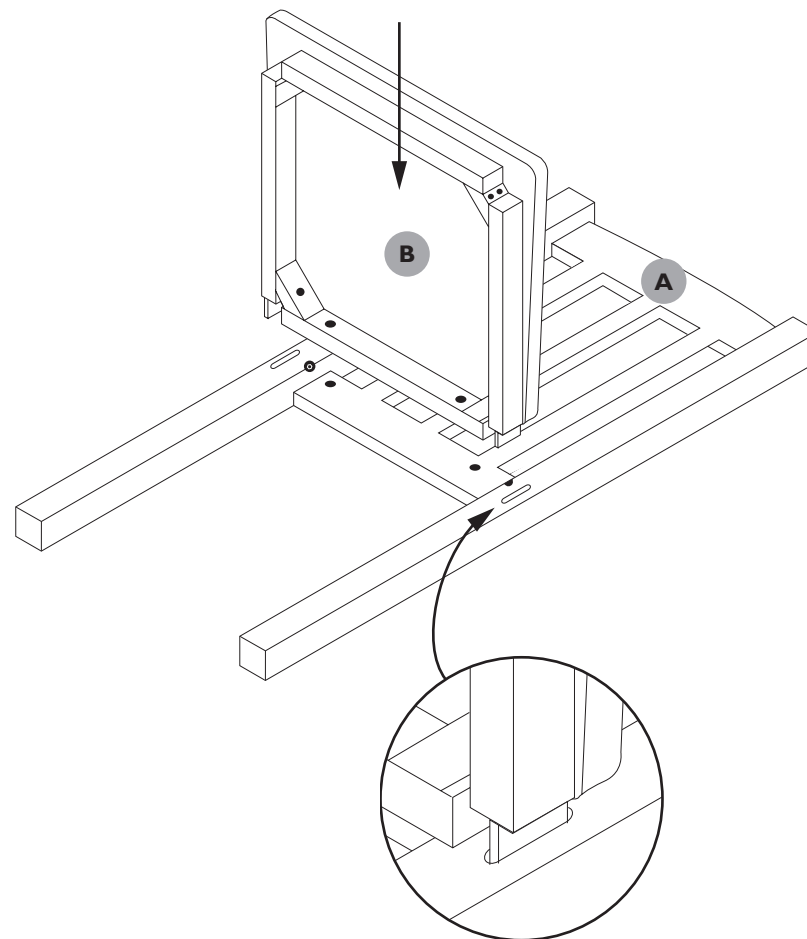
Thank you

Component Check List

<p>A</p>  <p>1x Back Panel</p>	<p>B</p>  <p>1x Seat</p>
<p>#1</p>  <p>2x Bolts 30mmL</p>	<p>C</p>  <p>Pair of Legs</p>
<p>#2</p>  <p>8x Bolts 45mmL</p>	<p>#3</p>  <p>10x Washers</p>
<p>#4</p>  <p>10x Split Washers</p>	<p>You will need (not supplied)</p>  <p>Phillips Head Screwdriver</p>

STEP I:

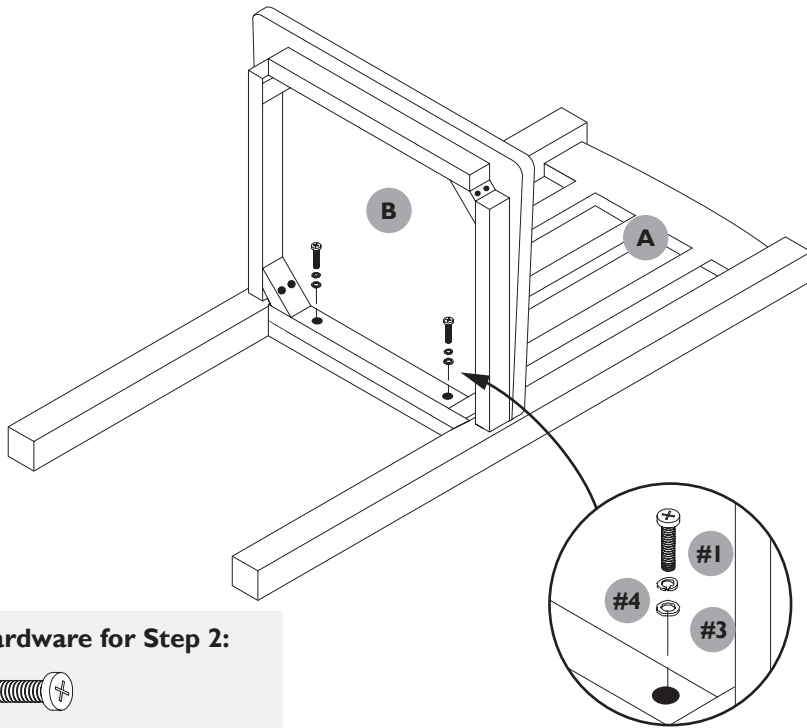
Position the seat B against the back panel A.



STEP 2:

Take 2x 30mm bolts (#1) and thread on a split washer (#4) first followed by a flat washer (#3) on to each. Screw the bolt and washer sets into the two inner drill holes as shown.

Please note: It is recommended that you do not completely tighten the screws when applying them individually. Wait until all hardware is in place in the stages to follow and semi-tightened, before tightening all securely.



Hardware for Step 2:



2x #1 30mmL Bolts



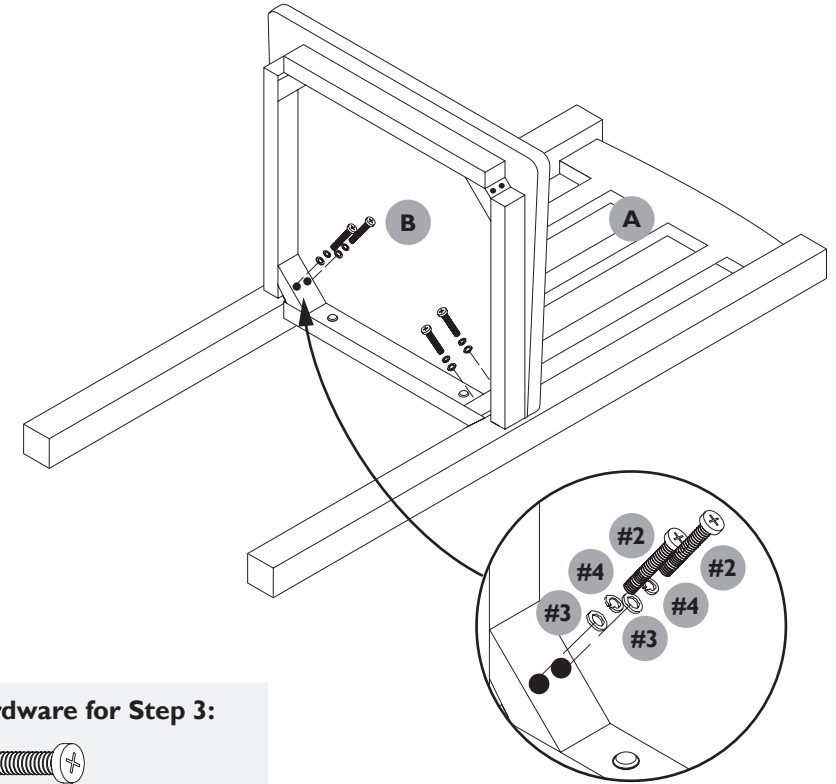
2x #3 Washers



2x #4 Split Washer

STEP 3:

Take 4x 45mm bolts (#2) and thread on a split washer (#4) first followed by a flat washer (#3) on to each. Screw the bolt and washer sets into the outer drill holes (as shown) to secure the seat panel B.



Hardware for Step 3:



4x #2 45mmL Bolts



4x #3 Washers



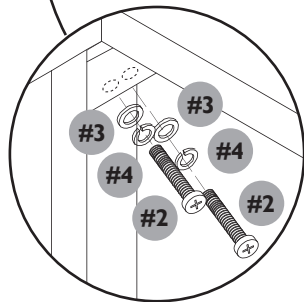
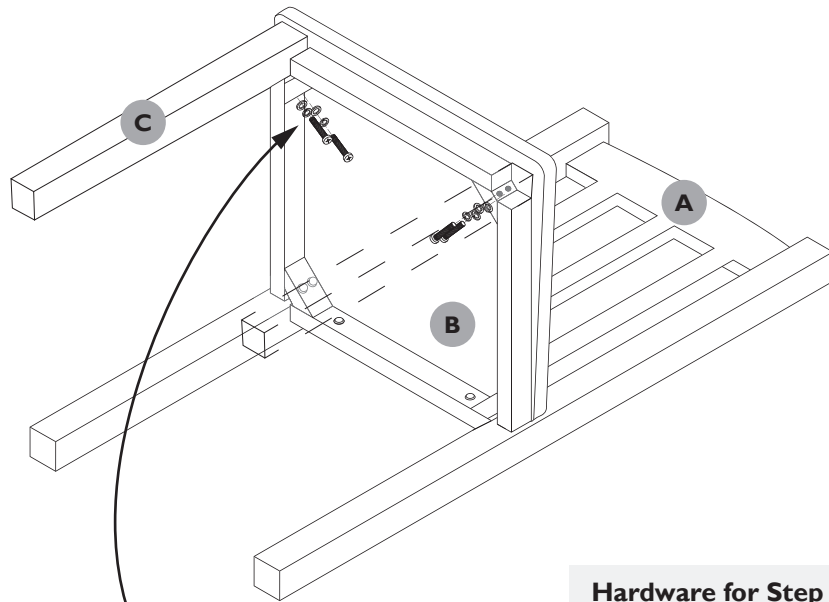
4x #4 Split Washer

STEP 4:

Position the left hand front leg C over the seat corner.
Take 2x 45mm bolts (#2) and thread on a split washer (#4) first followed by a flat washer (#3) on to each. Screw the bolt and washer sets into drill holes.

Repeat with the right hand front leg C.

Please note: Again, it is easier to semi-tighten all the bolts first, before going on to tighten them all completely.



Hardware for Step 4:



4x #2 45mmL Bolts



4x #3 Washers



4x #4 Split Washer

STEP 5:

Ensure all bolts are fully tightened.

