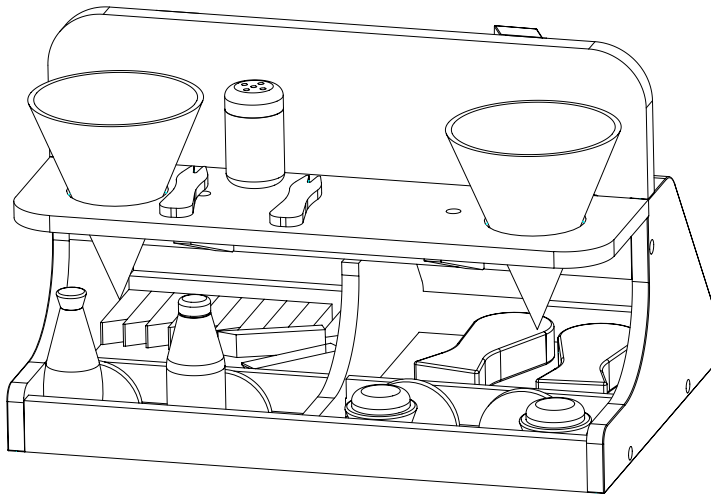


**Great
Little**
Trading Co.

gltc.co.uk

Fish & Chip Shop L4700



Thank you for shopping with GLTC, we hope you enjoy having this product in your home.

We know assembling furniture, toys or accessories is not everyone's favourite way to spend their time, so we've tried to make assembling this item as quick and painless as possible.

Hopefully our efforts will have been worthwhile and you'll sail through the whole process. But if it all feels a bit too much like hard work, then we do have an assembly company we can recommend: the Flatpack Construction Company offers a nationwide service and can be contacted on **0843 289 4951** or **www.flatpackconstruction.co.uk**.

A few important pointers before you start:

- Please read the instructions right through before you start, and check that all the components have been included in the pack; we find separating all the hardware into piles makes it easier to be sure that everything is present and correct.
- Make sure you have the right tools. Allen keys are provided if required, but screw drivers and other tools are not. You'll find details of the tools you need at the beginning of the instructions.
- Do not throw away any packing materials until assembly is complete, just in case you accidentally discard smaller parts or hardware.

Assembly Difficulty



easy - medium - hard



one-person job

V2

16/01/2019

Safety Warnings:

Please read these instructions carefully before assembly.

- Adult assembly required.
- Unassembled product contains small parts which may present a choking hazard.
- Children should be kept away from the product during assembly to avoid any possible risk of injury.
- Not suitable for children under 3 years due to small parts that may become detached and present a choking hazard.
- Assemble and use on a flat and level surface.
- To avoid possible injury, DO NOT allow children to climb/stand on the product.
- DO NOT use power tools in the assembly of this product as there is a risk of over-tightening and consequently splitting of the wood.
- Check item regularly for signs of damage which may make the product unsafe.
- Check all fixtures and fittings regularly and tighten as necessary.
- Complies to the European Toy Safety Directive.
- DO NOT use this item if any structural components are missing or damaged.
- Please retain these instructions for future reference.

Customer Service:

- If you find that any components are missing or damaged, please do not begin assembly and do not use the item. Please contact GLTC Customer Services on **0344 848 6000** immediately.
- We do stock spare hardware packs at our warehouse, so we should be able to send you a replacement pack immediately if required.

Product Care:

- Wipe clean only.
- Do NOT use cleaning products which contain ammonia, solvents or abrasive material.
- Do NOT expose the item to extremes of heat and humidity.

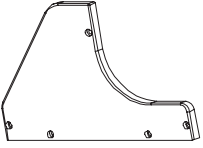
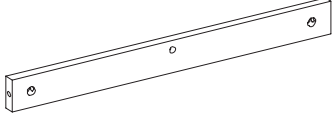
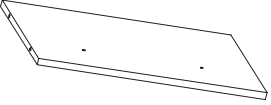
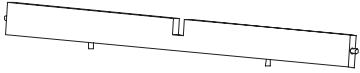
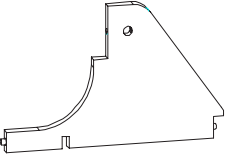
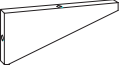
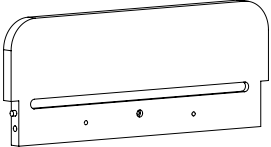

Could we do better?

If there is anything you think could be improved in these instructions or in the assembly of this product we'd be grateful if you could let us know; we'll pass any helpful hints and tips on to other customers via our website and update the instructions.

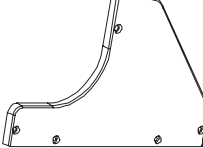
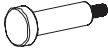
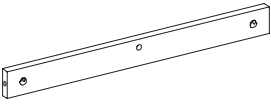
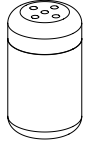
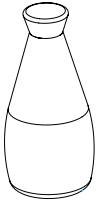
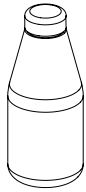
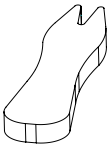

All you need to do is drop us a line at [**instructions@gltc.co.uk**](mailto:instructions@gltc.co.uk)

Thank you.

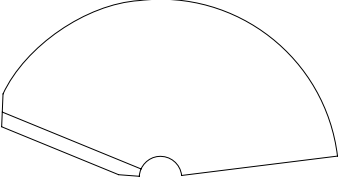


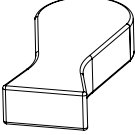
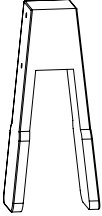
Component Check List

| | |
|---|---|
| <p>A</p>  <p>1x</p> | <p>B</p>  <p>1x plain blue panel (for step 5)</p> |
| <p>C</p>  <p>1x</p> | <p>D</p>  <p>1x</p> |
| <p>E</p>  <p>1x</p> | <p>F</p>  <p>2x</p> |
| <p>G</p>  <p>1x</p> | <p>H</p>  <p>1x</p> |




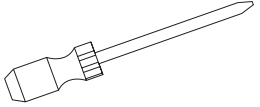
Component Check List

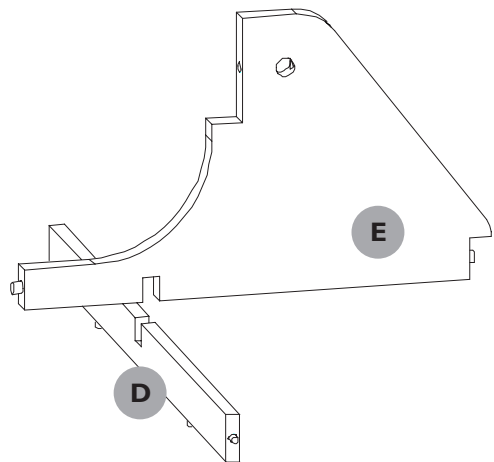
| | |
|--|--|
| <p>I</p>  <p>1x</p> | <p>J</p>  <p>1x</p> |
| <p>K</p>  <p>1x striped printed panel (for step 8)</p> | <p>L</p>  <p>1x</p> |
| <p>M</p>  <p>1x</p> | <p>N</p>  <p>1x</p> |
| <p>O</p>  <p>2x</p> | <p>P</p>  <p>18x</p> |

Component Check List

| | |
|--|---|
| <p>Q</p>  <p>4x</p> | <p>R</p>  <p>2x</p> |
| <p>S</p>  <p>4x</p> | <p>T</p>  <p>2x</p> |
| <p>U</p>  <p>1x</p> | |

Component Check List

| | |
|--|--|
| <p>#1</p>  <p>4x Screws 25mmL</p> | <p>#2</p>  <p>1 1x Barrel Nuts 7mm dia</p> |
| <p>#3</p>  <p>1 1x Barrel Nuts 40mmL</p> | <p>You will need (not supplied)</p>  <p>Phillips Head Screwdriver</p> |



STEP 1:

Slot together parts E and D.

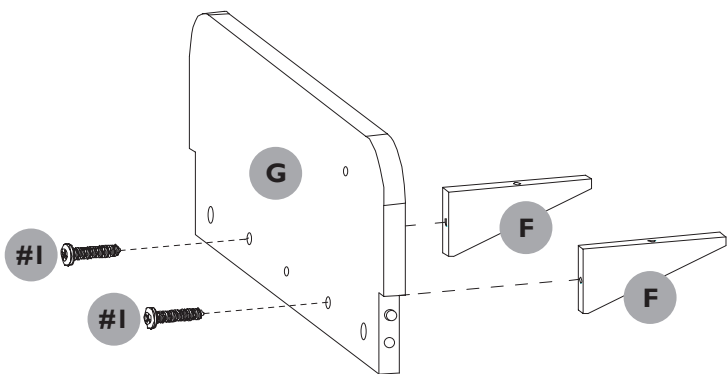
Hardware for Step 2:



2x #1 Screws

STEP 2:

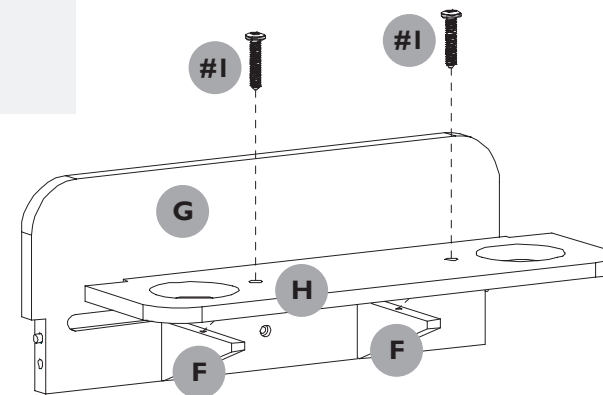
Attach parts (F) x 2 to panel (G) using 2 x screws



Hardware for Step 3 :



2x #1 Screws

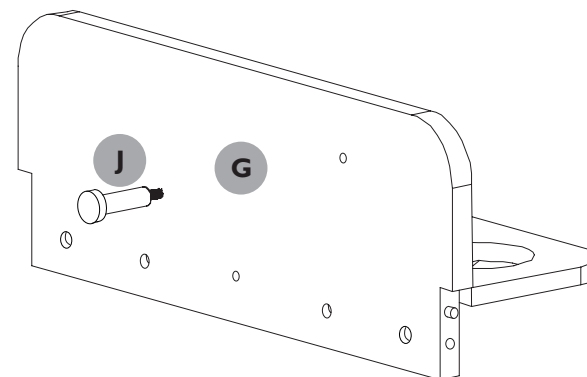


STEP 3:

Attach the shelf (H) onto panel G using 2 x screws.

STEP 4:

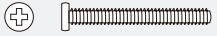
Screw part (J) into the back of panel G by hand, ensuring that it is well tightened.



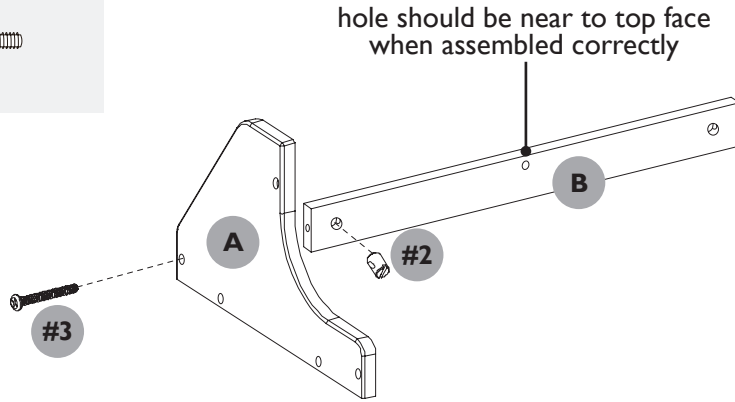
Hardware for Step 5:



1x #2 Barrel Nuts



1x #3 Bolts



STEP 5:

Attach back panel (B) to side panel (A) using 1x barrel nut and bolt. Please note this panel B does not have a striped print on the front. You will need this panel for step 8.

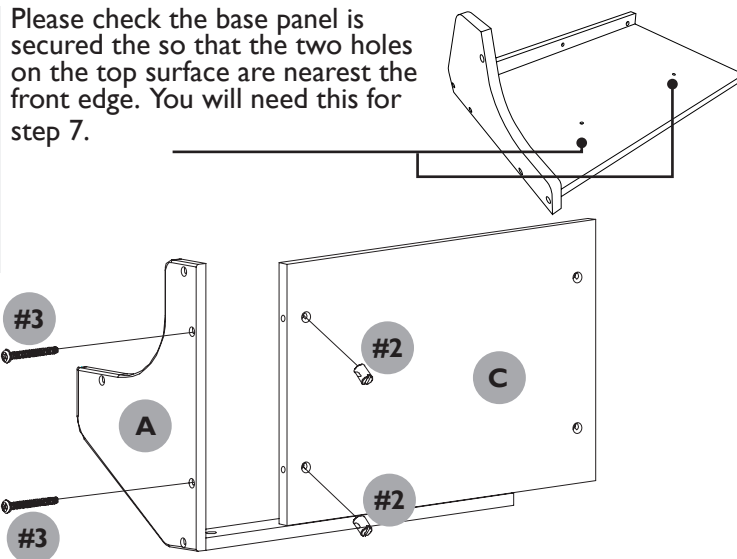
Hardware for Step 6:



2x #2 Barrel Nuts



2x #3 Bolts



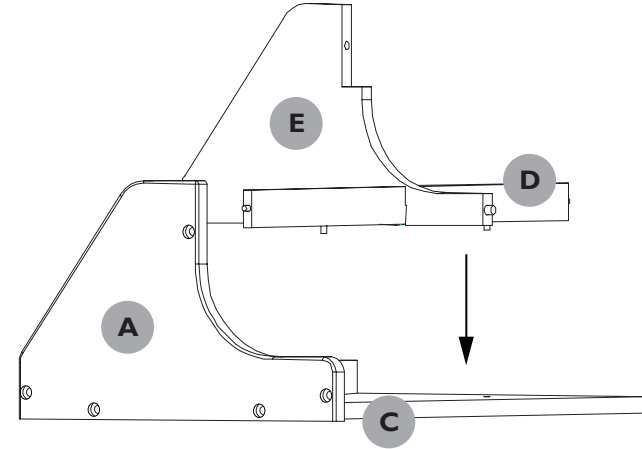
STEP 6:

Attach base panel (C) to side panel (A) using 2 x barrel nuts and bolts. Please do not fully tighten the barrel nut bolts, they need to be loosely tightened to complete step 7.

STEP 7:

Place assembled panels E & D onto assembled panels A & C to form middle section. Please slot dowels in whilst placing the assembly into position.

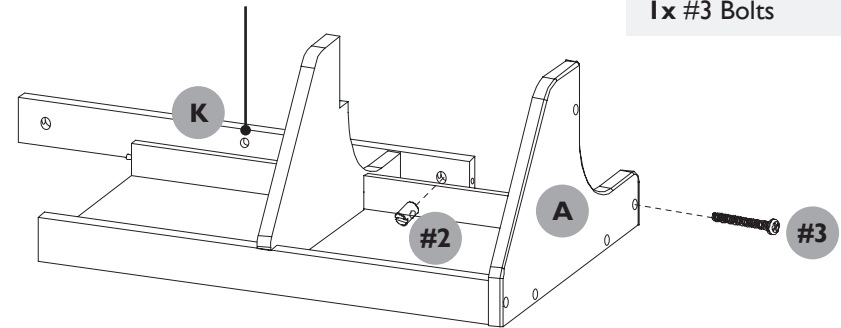
Please also fully tighten the the barrel nut bolts from step 6.



STEP 8:

Attach front panel (K) to side panel (A) using 1x barrel nut and bolt.

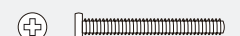
hole should be near to top face when assembled correctly



Hardware for Step 5:



1x #2 Barrel Nuts



1x #3 Bolts

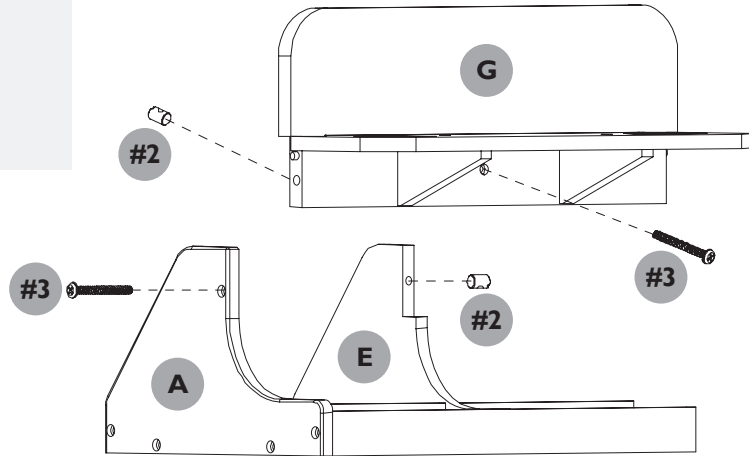
Hardware for Step 9:



2x #2 Barrel Nuts



2x #3 Bolts



STEP 9:

Attach assembled top section using 2 x barrel nuts and bolts.

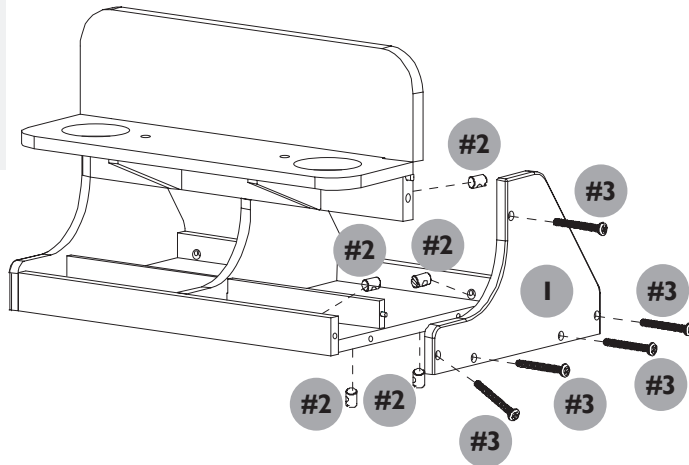
Hardware for Step 10:



5x #2 Barrel Nuts



5x #3 Bolts

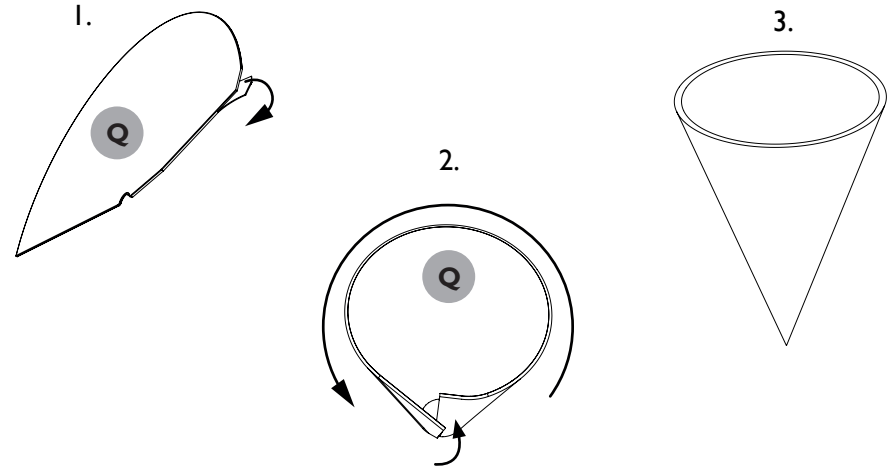


STEP 10:

Attach end panel (I) to the assembled section using 5 x barrel nuts and bolts, ensuring that the dowels slot into the holes on the inside of panel I.

STEP 11:

To assemble the cones (Q) firstly remove the adhesive tape. Then carefully create the cone shape before pressing the two ends of card firmly together so the tape secures the card ends together. The cone is now complete.



STEP 12:

The assembly is now complete.

