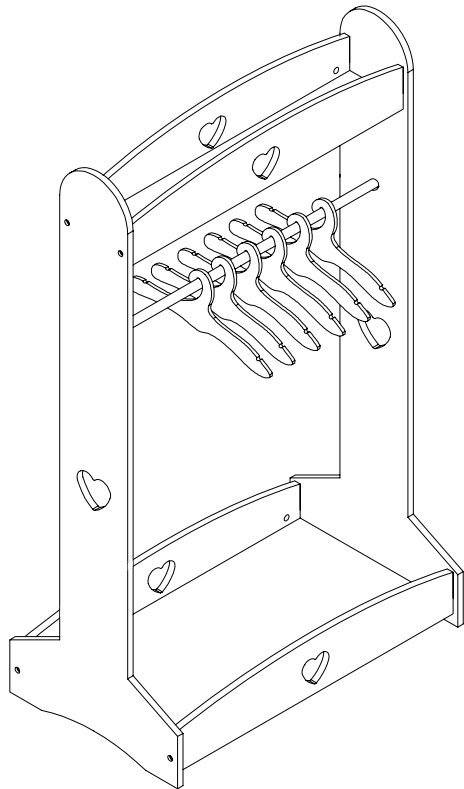


**Great
Little**
Trading Co.

gltc.co.uk

Sweetheart Dressing Up Rail

L4647



Assembly Difficulty



easy - medium - hard



two-person job

VI

20/11/2018

Thank you for shopping with GLTC, we hope you enjoy having this product in your home.

We know assembling furniture, toys or accessories is not everyone's favourite way to spend their time, so we've tried to make assembling this item as quick and painless as possible.

Hopefully our efforts will have been worthwhile and you'll sail through the whole process. But if it all feels a bit too much like hard work, then we do have an assembly company we can recommend: the Flatpack Construction Company offers a nationwide service and can be contacted on **0843 289 4951** or **www.flatpackconstruction.co.uk**.

Good luck!

A few important pointers before you start:

- It might be worth checking on our website that there are no updates or revisions to these instructions (if we have had helpful feedback from other customers we pass it on via the product web page). Simply check the date and version number on the front of this leaflet against that of any site updates.
- Please read the instructions right through before you start, and check that all the components have been included in the pack; we find separating all the hardware into piles makes it easier to be sure that everything is present and correct.
- Make sure you have the right tools. Allen keys are provided if required, but screw drivers and other tools are not. You'll find details of the tools you need at the beginning of the instructions.
- It's a good idea to build the unit in the room where you are going to be using it, to avoid the need to move it after it's been assembled.
- Do not throw away any packing materials until assembly is complete, just in case you accidentally discard smaller parts or hardware.

Safety Warnings:

- This is not a toy.
- Adult assembly required.
- Unassembled product contains small parts which may present a choking hazard.
- Children should be kept away from the product during assembly to avoid any possible risk of injury.
- Assemble and use on a flat and level surface.
- DO NOT use power tools in the assembly of this product as there is a risk of over-tightening and consequently splitting of the wood.
- Maximum weight load for rail or shelf is 30kgs (66lbs). To avoid injury from breakage or collapsing, do not overload.
- To avoid possible injury from tipping, DO NOT allow children to climb on this product.
- Check all fixtures and fittings regularly and tighten as necessary.
- Please retain these instructions for future reference.

Customer Service:

- If you find that any components are missing or damaged, please do not begin assembly and do not use the item. Please contact GLTC Customer Services on **0344 848 6000** immediately.
- We do stock spare hardware packs at our warehouse, so we should be able to send you a replacement pack immediately if required.

Product Care:

- Wipe clean only.
- Do NOT use cleaning products which contain ammonia, solvents or abrasive material.
- Do NOT expose the item to extremes of heat and humidity.

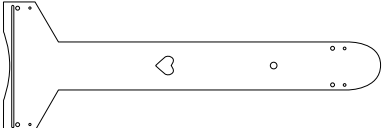
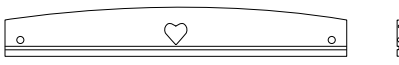

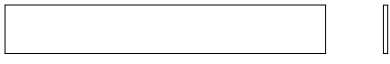
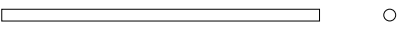
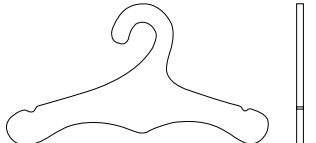
Could we do better?

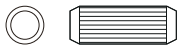



If there is anything you think could be improved in these instructions or in the assembly of this product we'd be grateful if you could let us know; we'll pass any helpful hints and tips on to other customers via our website and update the instructions.

All you need to do is drop us a line at instructions@gltc.co.uk

Thank you.

Component Check List

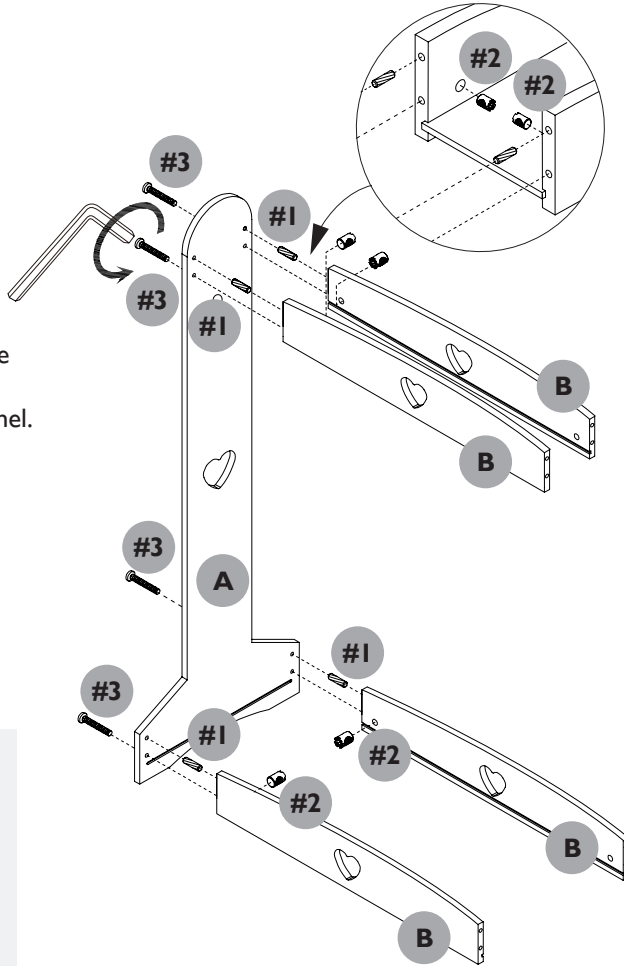
<p>A</p>  <p>x2 Side Panels</p>	<p>B</p>  <p>x4 Upstand Panels</p>
<p>C</p>  <p>x1 Base Panel</p>	<p>D</p>  <p>x1 Top Shelf Base Panel</p>
<p>E</p>  <p>x1 Hanging Rail</p>	<p>F</p>  <p>x6 Hangers</p>

<p>#1</p>  <p>8x Wooden Dowels 20mmL</p>	<p>#2</p>  <p>8x Barrel Nuts</p>
<p>#3</p>  <p>8x Bolts 53mmL</p>	<p>#4</p>  <p>1x Allen Key</p>

STEP 1:

Insert x4 wooden dowels (#1) to side panel (A) and position the x4 upstand panels (B) using the wooden dowels. Ensure the grooves on the lower upstand panels align and that the drill holes are facing inwards. When in place, insert x4 barrel nuts (#2) into the drill holes and secure with x4 bolts (#3) using the allen key provided.

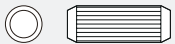
Please note: You may need a second person to support the upper upstand panels when securing these to the side panel.



Hardware for Step 1:



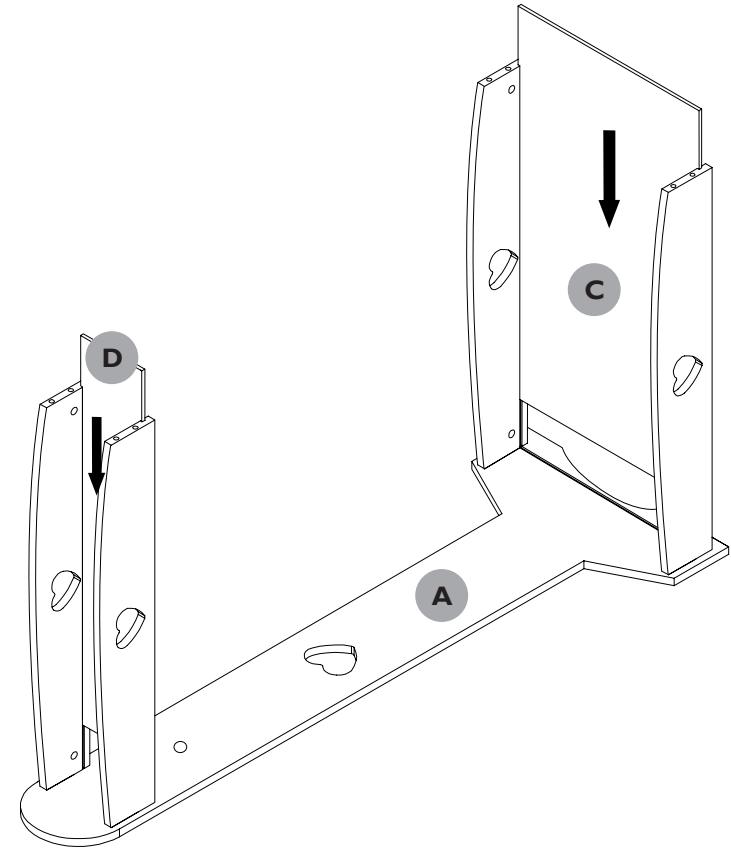
4x #3 Bolts 53mmL



4x #1 Wooden Dowels



4x #2 Barrel Nuts

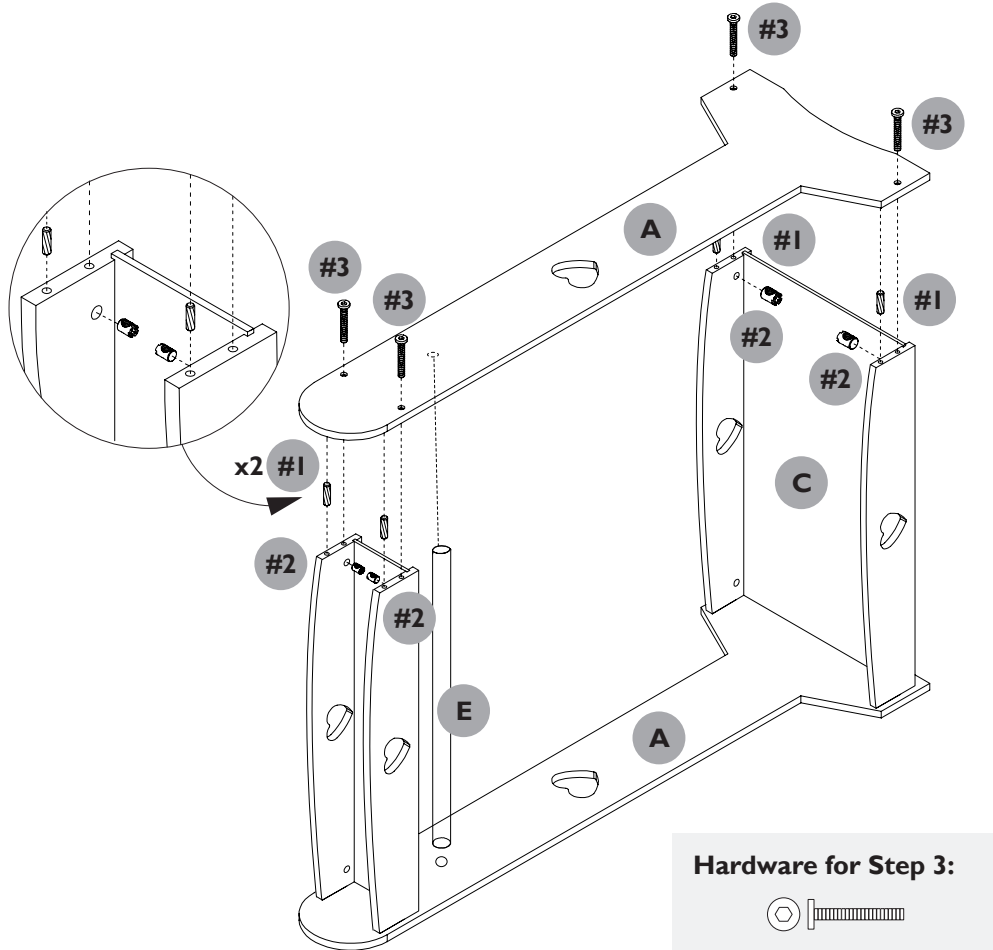


STEP 2:

Slide in base panels (D and C) as shown.

STEP 3:

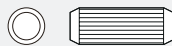
Place one end of the hanging rail (E) into the cut out in the attached side panel (A). Then insert x4 wooden dowels (#1) to the ends of the upstand panels (D) and secure the second side panel (A) using x4 barrel nuts (#2) and x4 bolts (#3).



Hardware for Step 3:



4x #3 Bolts 53mmL



4x #1 Wooden Dowels



4x #2 Barrel Nuts

STEP 4:

Add the x6 hangers to the rail. Your item is ready to use.

