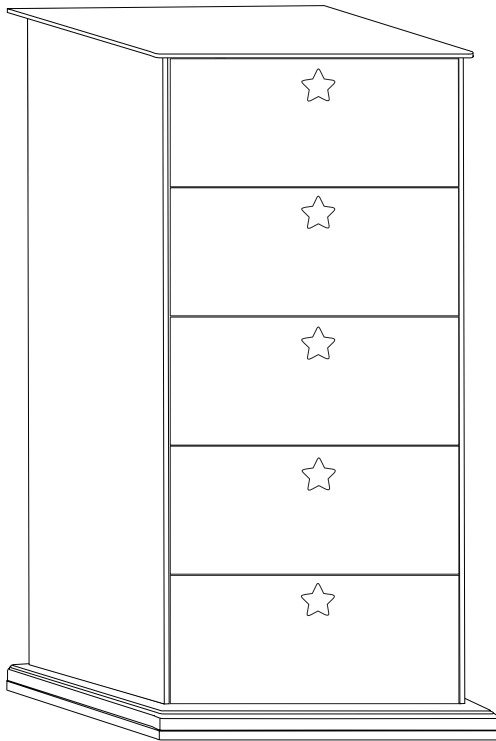


**Great
Little**
Trading Co.

gltc.co.uk

Star Bright Chest of Drawers - Tall Boy L4644



Assembly Difficulty



easy - medium - hard



one-person job

VI

02/11/2018

Thank you for shopping with GLTC, we hope you enjoy having this product in your home.

We know assembling furniture, toys or accessories is not everyone's favourite way to spend their time, so we've tried to make assembling this item as quick and painless as possible.

Hopefully our efforts will have been worthwhile and you'll sail through the whole process. But if it all feels a bit too much like hard work, then we do have an assembly company we can recommend: the Flatpack Construction Company offers a nationwide service and can be contacted on **0843 289 4951** or **www.flatpackconstruction.co.uk**.

Good luck!

A few important pointers before you start:

- It might be worth checking on our website that there are no updates or revisions to these instructions (if we have had helpful feedback from other customers we pass it on via the product web page). Simply check the date and version number on the front of this leaflet against that of any site updates.
- Please read the instructions right through before you start, and check that all the components have been included in the pack; we find separating all the hardware into piles makes it easier to be sure that everything is present and correct.
- Make sure you have the right tools. Allen keys are provided if required, but screw drivers and other tools are not. You'll find details of the tools you need at the beginning of the instructions.
- It's a good idea to build the unit in the room where you are going to be using it, to avoid the need to move it after it's been assembled.
- Do not throw away any packing materials until assembly is complete, just in case you accidentally discard smaller parts or hardware.

Safety Warnings:

- Adult assembly required.
- Unassembled product contains small parts which may present a choking hazard.
- Children should be kept away from the product during assembly to avoid any possible risk of injury
- Assemble and use on a flat and level surface.
- This product is heavy, we recommend that you build it where you are planning to use it.
- **DO NOT** use power tools in the assembly of this product as there is a risk of over-tightening and consequently splitting of the wood.
- To avoid possible injury from tipping, **DO NOT** allow children to climb on the product.
- **WARNING! FURNITURE TIPPING RISK.** Serious or fatal crushing injuries can occur from furniture tipping over. Ensure you secure this furniture product to the wall before you use it using the kit provided. If you have not received an anti-tip kit with your product please contact Customer Services.
- Check all fixtures and fittings regularly and tighten as necessary.
- Please retain these instructions for future reference.

Customer Service:

- If you find that any components are missing or damaged, please do not begin assembly and do not use the item. Please contact GLTC Customer Services on **0344 848 6000** immediately.
- We do stock spare hardware packs at our warehouse, so we should be able to send you a replacement pack immediately if required.

Product Care:

- Wipe clean only.
- Do **NOT** use cleaning products which contain ammonia, solvents or abrasive material.
- Do **NOT** expose the item to extremes of heat and humidity.


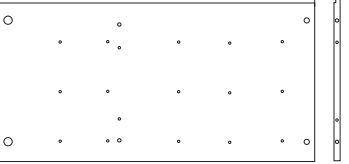
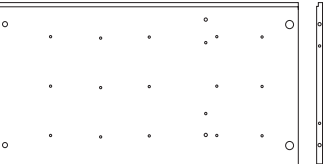


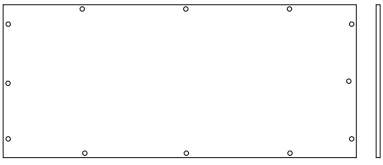
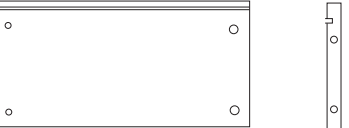
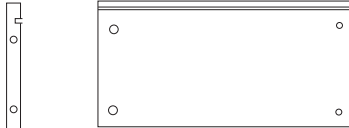
Could we do better?

If there is anything you think could be improved in these instructions or in the assembly of this product we'd be grateful if you could let us know; we'll pass any helpful hints and tips on to other customers via our website and update the instructions.

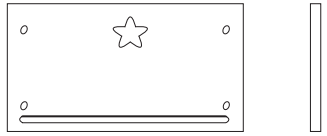


All you need to do is drop us a line at instructions@gltc.co.uk

Thank you.





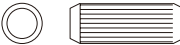

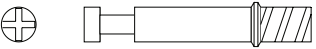

Component Check List

<p>A</p>  <p>x1 Horizontal Divider Panel</p>	<p>B</p>  <p>x1 LH Side Panel</p>
<p>C</p>  <p>x1 RH Side Panel</p>	<p>D</p>  <p>x1 Base Plinth</p>
<p>E</p>  <p>x1 Top Panel</p>	<p>F</p>  <p>x1 Back Panels</p>
<p>G</p>  <p>x5 Drawer LH Sides</p>	<p>H</p>  <p>x5 Drawer RH Sides</p>


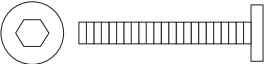


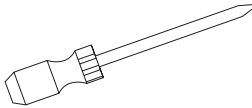

Component Check List

<p>I</p>  <p>x5 Drawer Front</p>	<p>J</p>  <p>x5 Drawer Base Panels</p>
<p>K</p>  <p>x5 Drawer Back Panels</p>	

Component Check List

<p>#1</p>  <p>x5 #1 Flat Runner</p>	<p>#2</p>  <p>x5 #2 Flat Runner</p>
<p>#3</p>  <p>x5 RH L-Shaped Runners</p>	<p>#4</p>  <p>x5 LH L-Shaped Runners</p>
<p>#5</p>  <p>x12 Wooden Dowels 25mmL</p>	<p>#6</p>  <p>x20 Screws 25mmL</p>
<p>#7</p>  <p>x28 Cam Dowels 35mmL</p>	<p>#8</p>  <p>x28 Cam Locks 14mm diameter</p>

Component Check List

<p>#9</p>  <p>x4 Barrel Nuts 10mmL</p>	<p>#10</p>  <p>x4 Bolt 66mmL</p>
<p>#11</p>  <p>x10 Screws 16mmL</p>	<p>#12</p>  <p>x60 Screws 12mmL</p>
<p>You will need (not supplied)</p>	
 <p>Philips Head Screwdriver</p>	 <p>1x Allen Key</p>

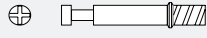
Hardware for Step 1:



15x #12 12mmL Screws



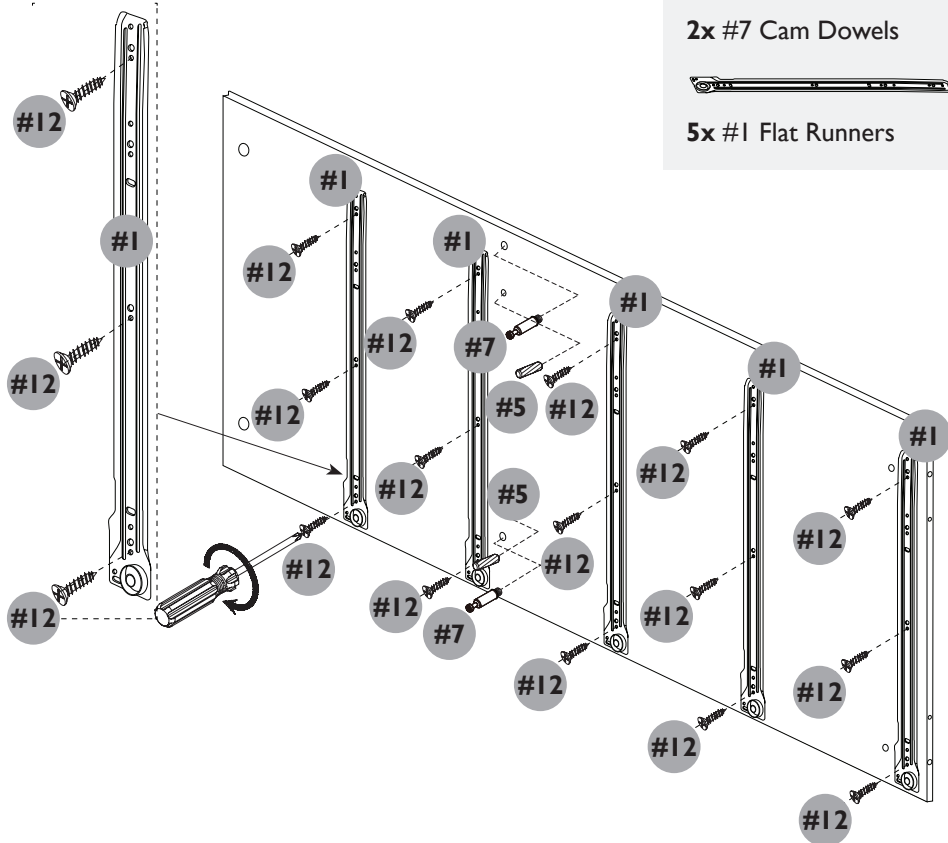
2x #5 Wooden Dowels



2x #7 Cam Dowels



5x #1 Flat Runners



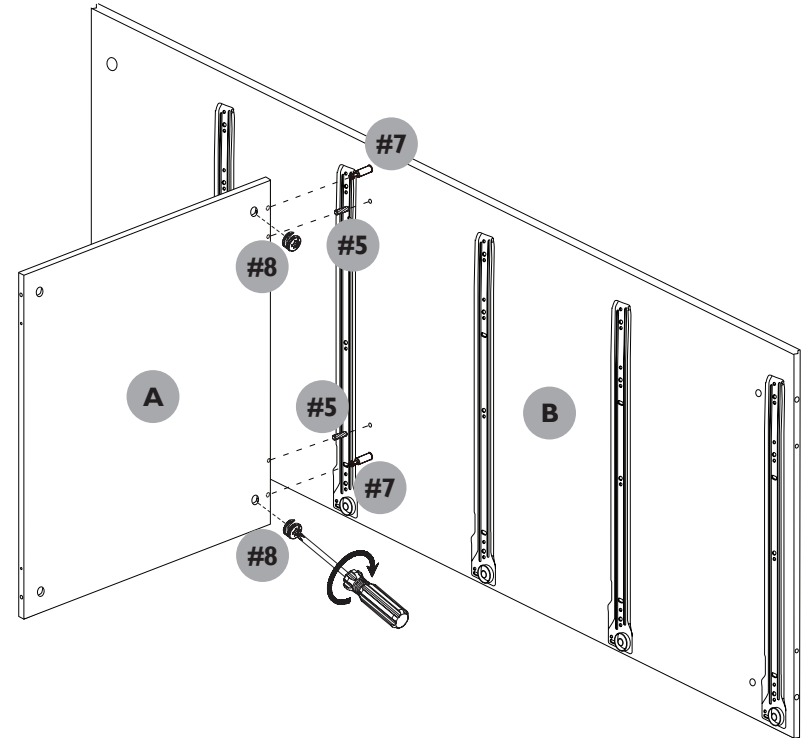
STEP 1:

Locate LH side panel (B) and align as shown with the ledged side at the top. Line up all x5 flat runners (#1) ensuring that the wheel of the runners are away from the ledged side. Secure each runner with x3 screws (#12) where shown.

Once all the runners are attached insert x2 wooden dowels and x2 cam dowels (#7) where shown.

STEP 2:

Slot divider panel (A) to the fixed hardware on LH side panel (B). Secure with x2 cam locks (#8).



Hardware for Step 2:

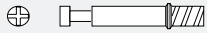


2x #8 Cam Locks

Hardware for Step 3:



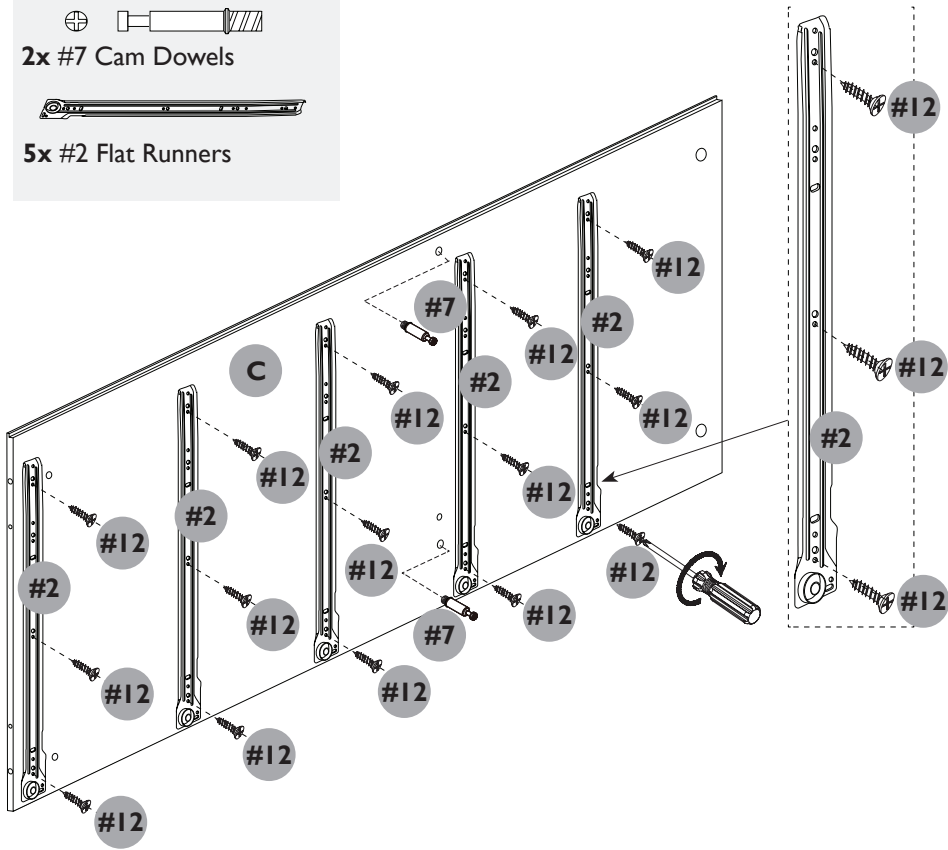
15x #12 12mmL Screws



2x #7 Cam Dowels



5x #2 Flat Runners



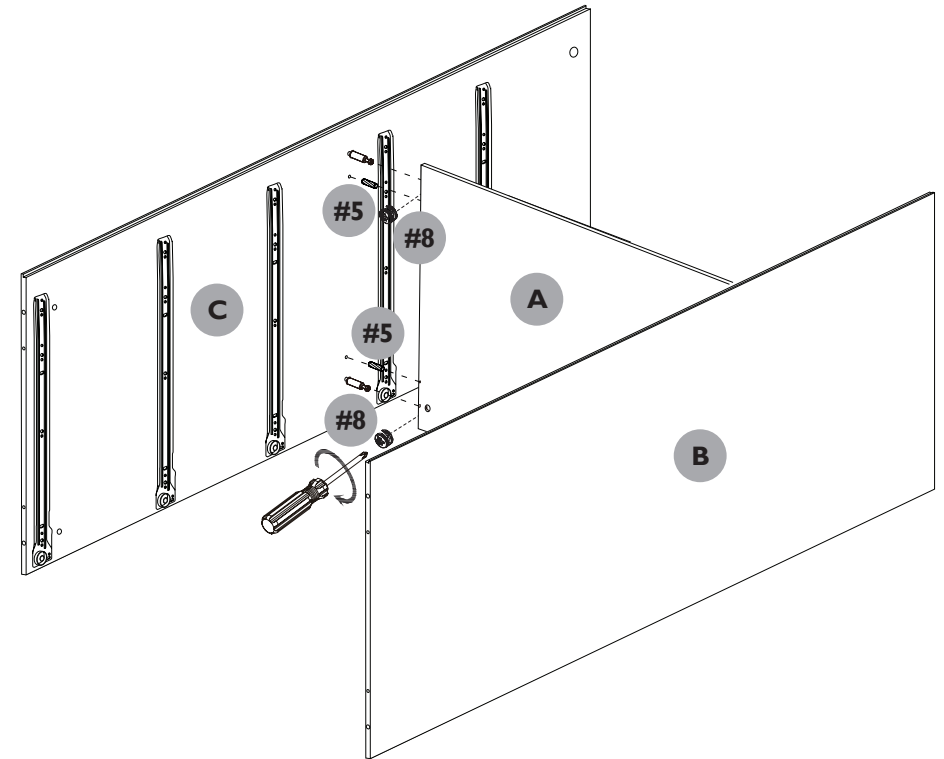
STEP 3:

Locate RH side panel (C) and align as shown with the ledged side at the top. Line up all x5 flat runners (#2) ensuring that the wheel of the runners are away from the ledged side. Secure each runner with x3 screws (#12) where shown.

Once all the runners are attached insert x2 wooden dowels and x2 cam dowels (#7) where shown.

STEP 4:

Slot RH side panel (C) to the other panels ensuring that the large hardware holes are at the top and the ledged side facing upwards. Affix panel (C) with x2 cam locks (#8).



Hardware for Step 4:



2x #8 Cam Locks



2x #5 Wooden Dowels

Hardware for Step 5:



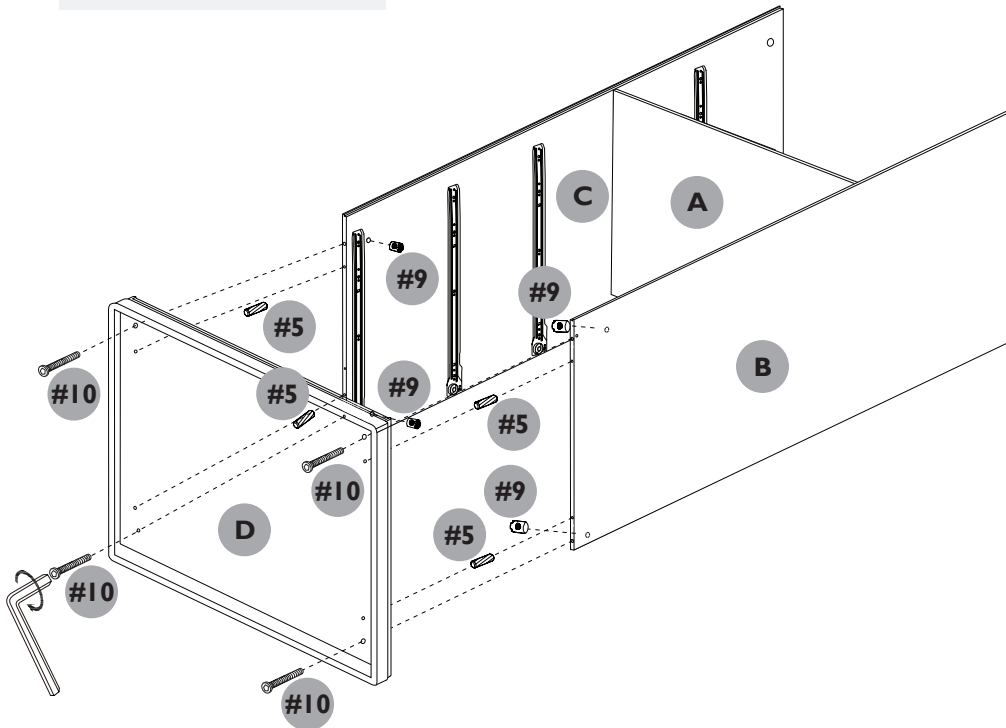
4x #10 Bolts



4x #9 Barrel Nuts



4x #5 Wooden Dowels

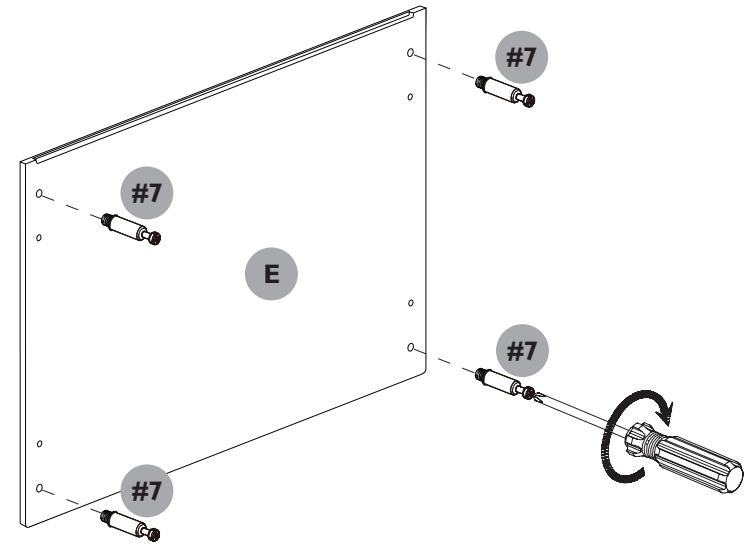


STEP 5:

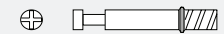
Attach base panel (D) using x4 barrel nuts (#9), x4 wooden dowels (#5) and securing with x4 bolts (#10). Ensure that the ledged side of the base panel is facing upwards.

STEP 6:

Insert x4 cam dowels (#7) to top panel (E).



Hardware for Step 6:



4x #7 Cam Dowels

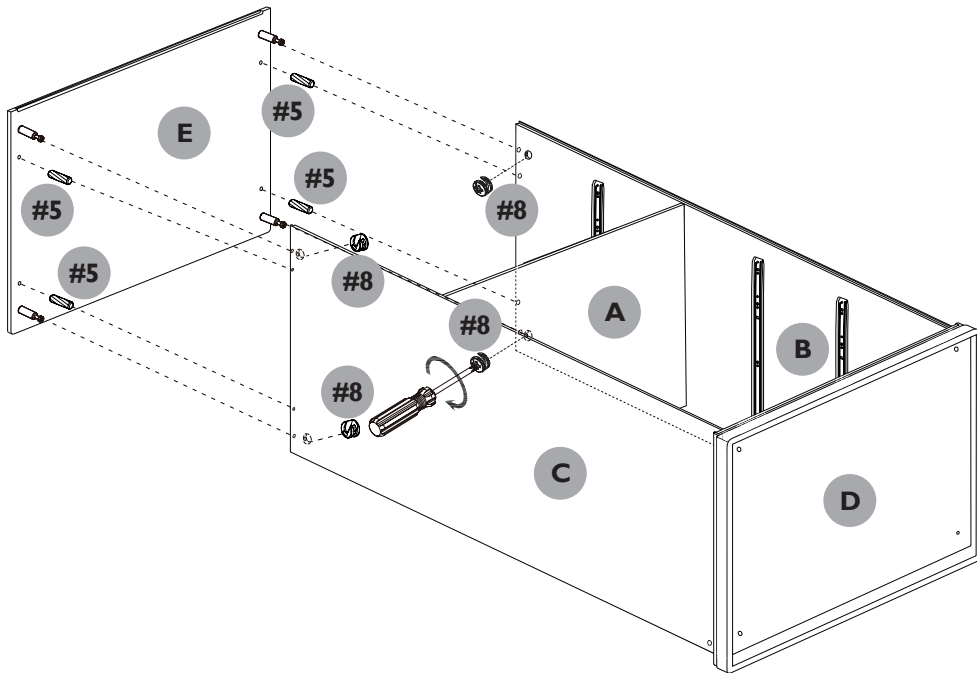
Hardware for Step 7:



4x #8 Cam Locks



4x #5 Wooden Dowels



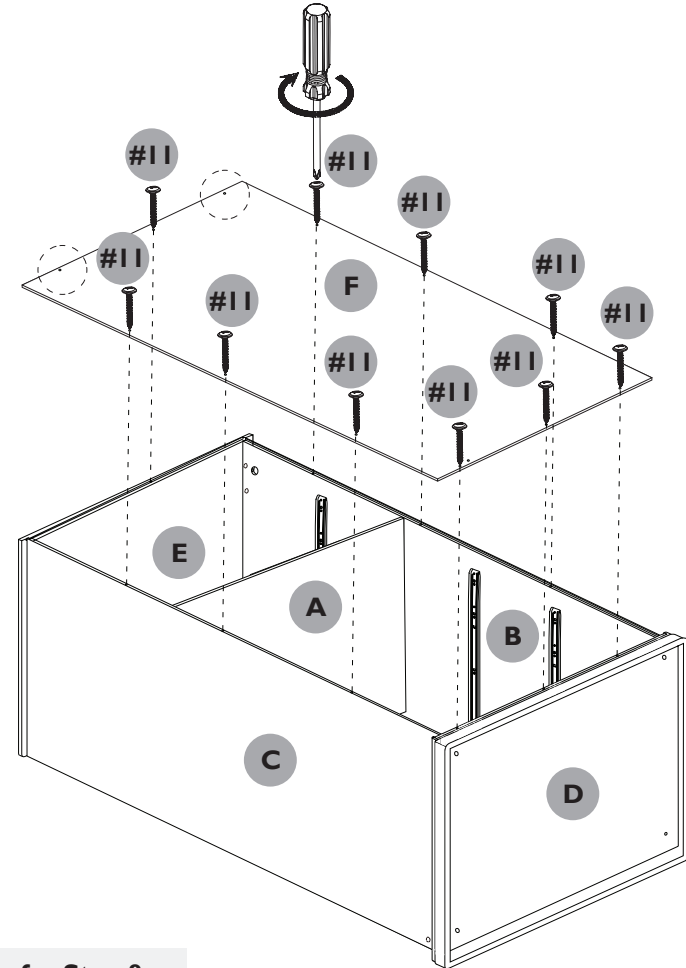
STEP 7:

Affix top panel (E) to the unit using x4 wooden dowels (#5) and securing with x4 cam locks (#8).

STEP 8:

Place back panel (F) into the recess ensuring the hardware holes line up. Secure using x10 screws (#11).

Please note that the 2x pilot holes indicated at the top of the unit are to attach anti-tip straps included separately with this item.



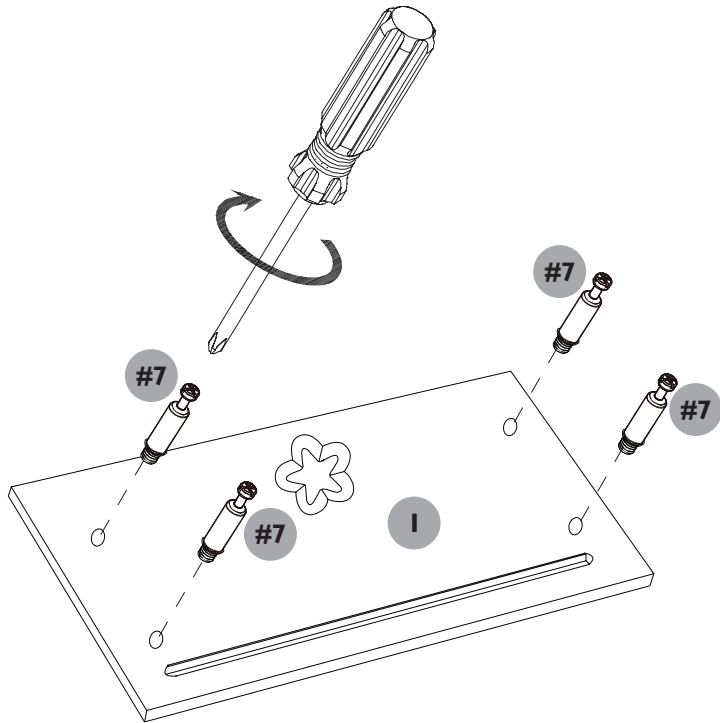
Hardware for Step 8:



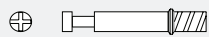
10x #11 18mmL Screws

STEP 9:

Insert x4 cam dowels (#7) to the x5 drawer front panels (I).



Hardware for Step 9:



20x #7 Cam Dowels

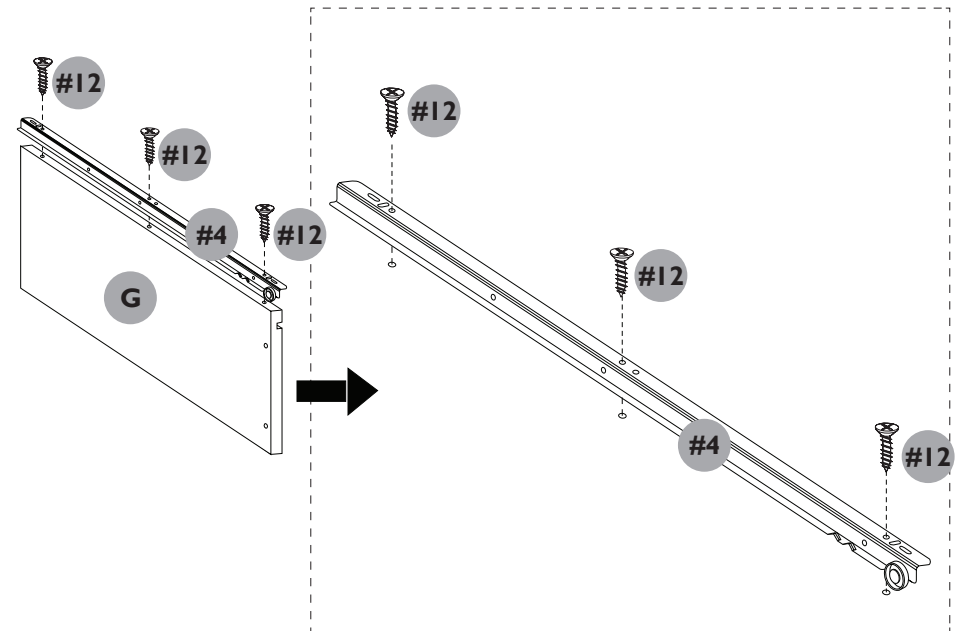
Hardware for Step 10:



15x #12 12mmL Screws



5x #4 LH L-Shaped Runners



STEP 10:

Locate x5 LH drawer sides (G) and secure L-shaped runner (#4) with x3 screws (#12) where shown. Repeat for each of the panels (G).

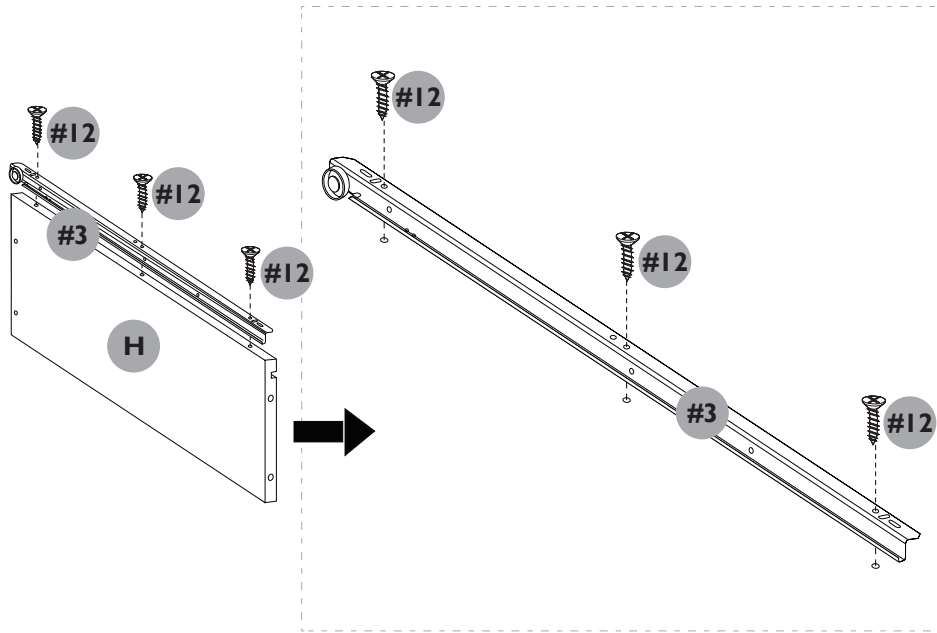
Hardware for Step 11:



15x #12 12mmL Screws



5x #3 RH L-Shaped Runners



STEP 11:

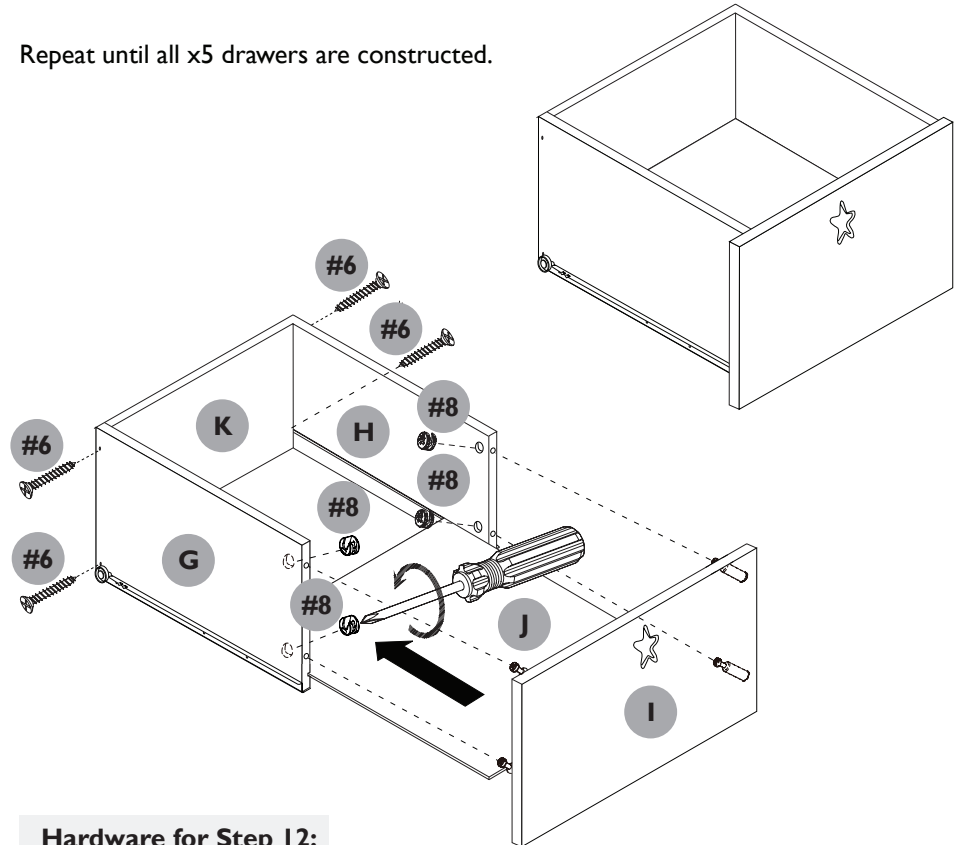
Locate x5 RH drawer sides (H) and secure L-shaped runner (#3) with x3 screws (#12) where shown. Repeat for each of the panels (H).

STEP 12:

Construct the drawer by attaching side panels (G and H) to back panel (K) as shown with 4x screws (#6). Ensure that the runners are on the outer side of the side panels and that the wheels on the runners are at the back of the drawer.

Slide in the drawer base panel (J) into the grooves and insert 4x cam locks (#8) into the hardware holes at the front of the drawer. Then slot in the drawer front panel (I) and secure the 4x cam locks (#8).

Repeat until all x5 drawers are constructed.



Hardware for Step 12:



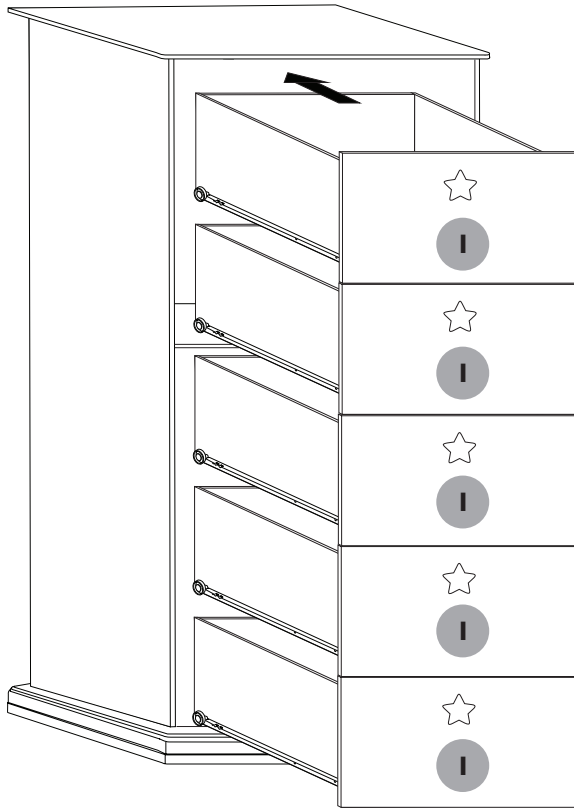
20x #8 Cam Locks



20x #6 25mmL Screws

STEP 13:

Insert the x5 drawers to the unit.



STEP 14:

Your unit is ready to use.

Please be aware that we advise that safety straps are used to secure this to the wall, for details on securing the unit to the wall see the anti-tip kit instructions included with this product. Alternative furniture safety straps are available at www.gltc.co.uk

