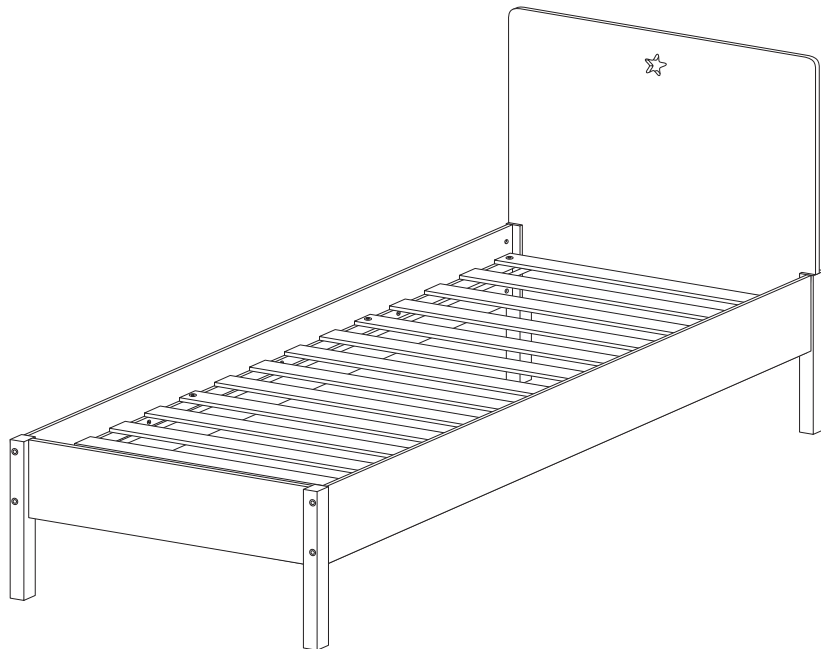




www.gltc.co.uk

Star Bright Single Bed



Assembly Difficulty



easy - medium - hard



two-person job

V3

23/06/2020

Thank you for shopping with GLTC, we hope you enjoy having this product in your home.

We know assembling furniture, toys or accessories is not everyone's favourite way to spend their time, so we've tried to make assembling this item as quick and painless as possible.

Hopefully our efforts will have been worthwhile and you'll sail through the whole process. But if it all feels a bit too much like hard work, then we do have an assembly company we can recommend: the Flatpack Construction Company offers a nationwide service and can be contacted on **0843 289 4951** or **www.flatpackconstruction.co.uk**.

A few important pointers before you start:

- Please read the instructions right through before you start, and check that all the components have been included in the pack; we find separating all the hardware into piles makes it easier to be sure that everything is present and correct.
- Make sure you have the right tools. Allen keys are provided if required, but screw drivers and other tools are not. You'll find details of the tools you need at the beginning of the instructions.
- It's a good idea to build the unit in the room where you are going to be using it, to avoid the need to move it after it's been assembled.
- Do not throw away any packing materials until assembly is complete, just in case you accidentally discard smaller parts or hardware.

IMPORTANT READ CAREFULLY - KEEP FOR FUTURE REFERENCE.

Safety Warnings:

- This bed conforms to BS8509:2008 +A1:2011
- WARNING. Not suitable for children under 4 years.
- This bed is suitable for mattress size 190cmL x 90cmW with a minimum height of 15cm.
- Adult assembly required.
- This product is heavy, we recommend that you build it where you are planning to use it.
- Assemble and use on a flat and level surface.
- Do not use power tools in the construction of this product.
- Unassembled product contains small parts which may present a choking hazard.
- Children should be kept away from the product during assembly to avoid any possible risk of injury.
- WARNING. Do not place this bed near heat sources, windows or other furniture.
- Children are likely to play, bounce, jump and climb on beds, therefore for your child's safety, this bed should either be placed tight against the wall or have a minimum gap of 30cm between the wall and the side of the bed.
- Check fixtures and fittings regularly and tighten as necessary.
- This bed can be dismantled for storage or transportation.
- WARNING. Do not use this bed if any part becomes broken, torn or missing. Please contact GLTC Customer Services on **0344 848 6000** immediately to arrange for suitable replacement parts.

Customer Service:

- If you find that any components are missing or damaged, please do not begin assembly and do not use the item. Please contact GLTC Customer Services on **0344 848 6000** immediately.

Product Care:

- Wipe clean using a soft damp cloth followed by a dry cloth.
- Do NOT use cleaning products which contain ammonia, solvents or abrasive material.
- Do NOT expose the item to extremes of heat and humidity.
- Please ensure the room in which this bed is to be used is well ventilated or aired regularly in order to keep humidity low in and around the bed.

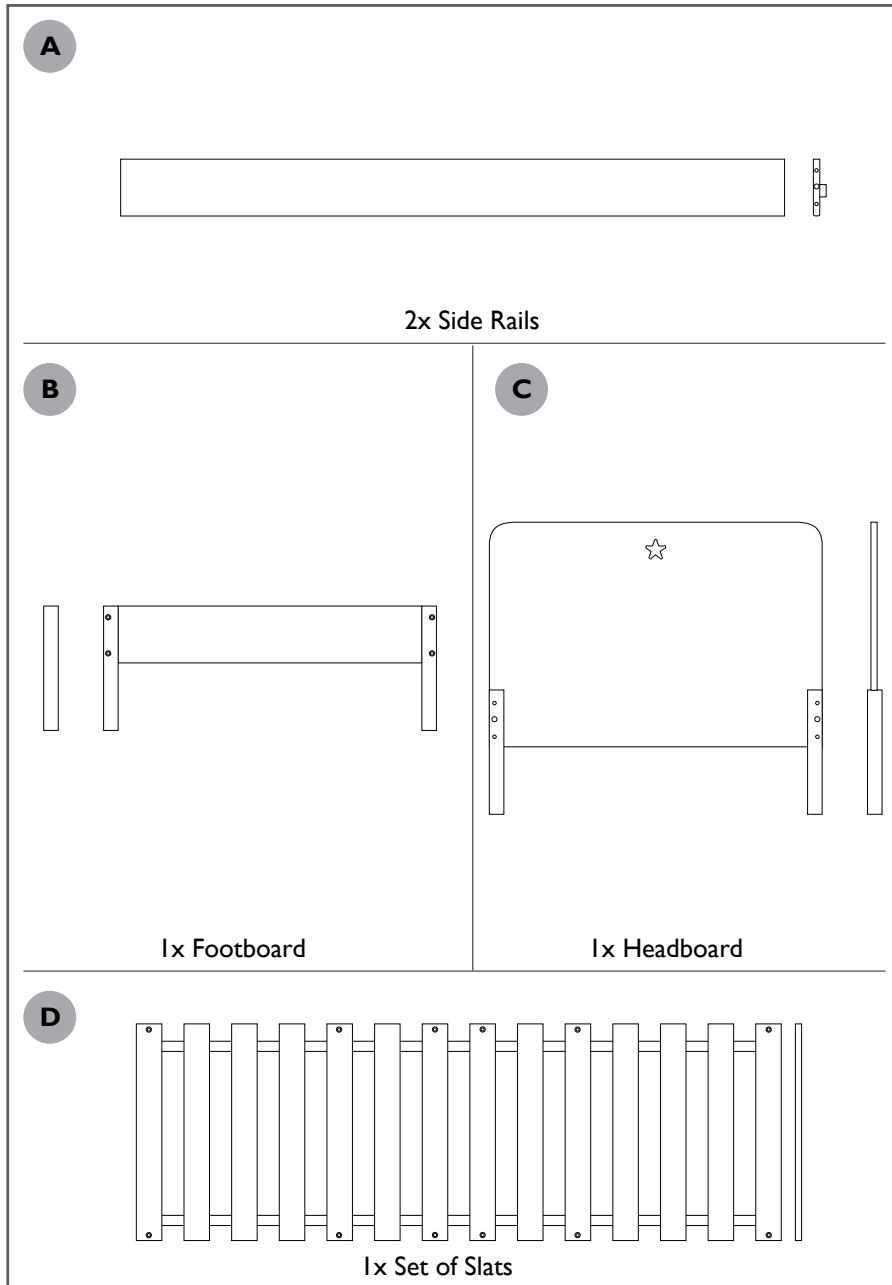
Could we do better?

If there is anything you think could be improved in these instructions or in the assembly of this product we'd be grateful if you could let us know; we'll pass any helpful hints and tips on to other customers via our website and update the instructions.

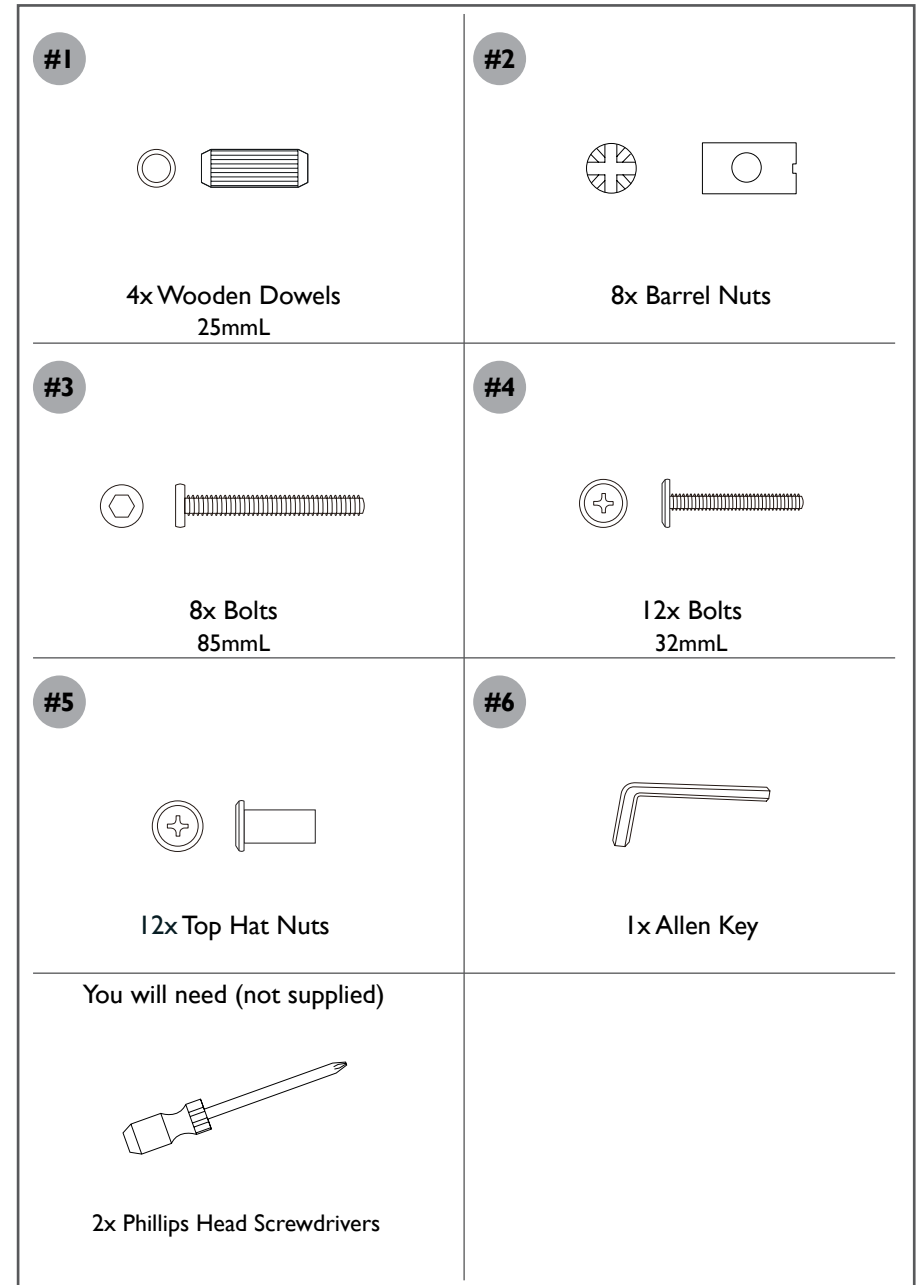
All you need to do is drop us a line at instructions@gltc.co.uk

Thank you

Component Check List



Component Check List



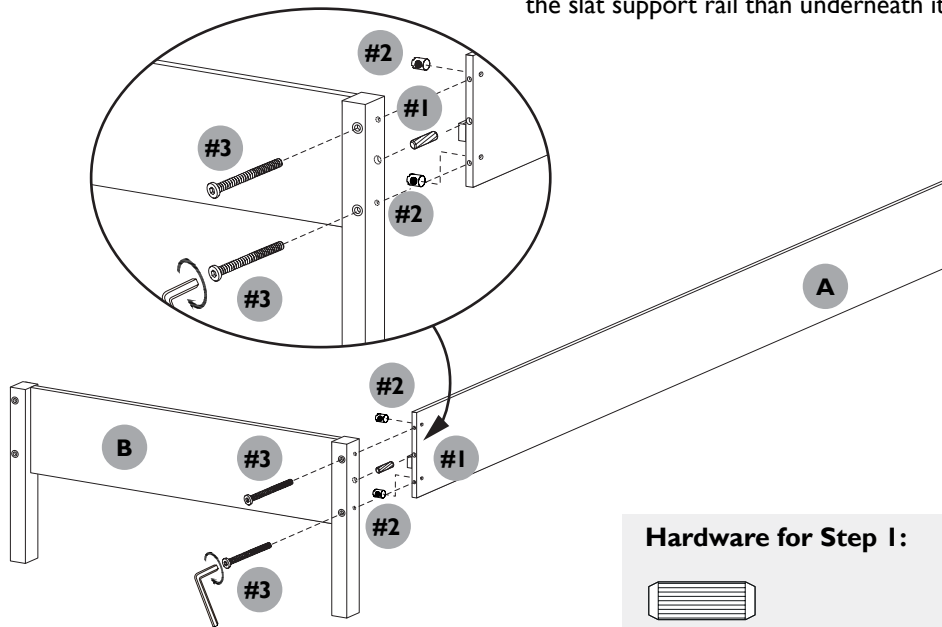
STEP 1:

Insert 1x wooden dowel (#1) into the side rail A.

Locate the side rail A onto the footboard B with the slat support rail facing inwards and insert 2x barrel nuts (#2) into the side rail and secure with 2x bolts (#3).

Tighten with the allen key provided.

NOTE: Ensure the side rails are attached the correct way up. The slat support rail should be in the lower part of the side rail, so there should be a larger gap above the slat support rail than underneath it.



Hardware for Step 1:



1x #1 Wooden Dowels



2x #2 Barrel Nuts



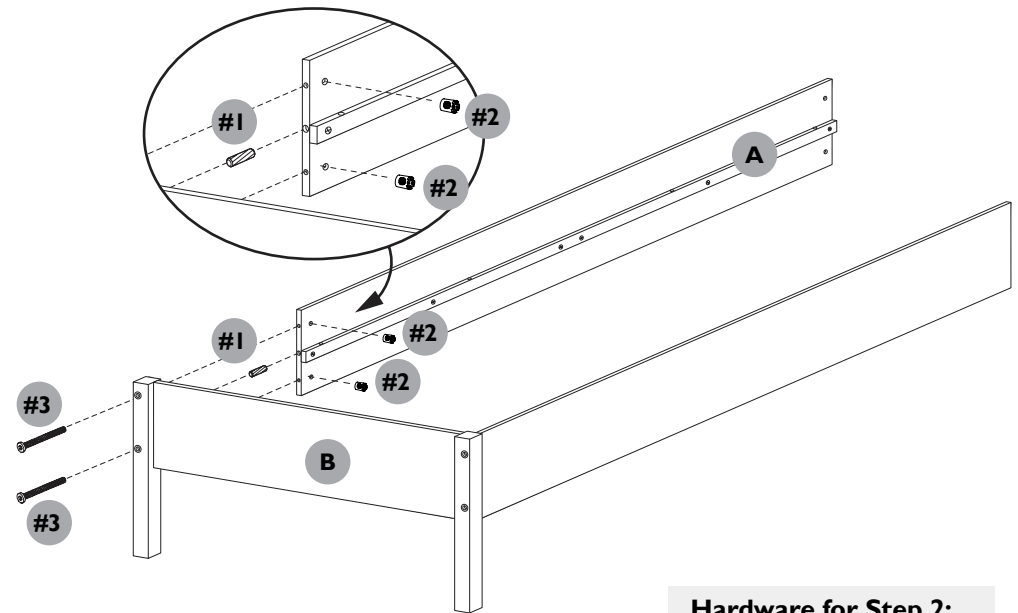
2x #3 Bolts

STEP 2:

Insert 1x wooden dowel (#1) into the second side rail A.

Locate the side rail A onto the footboard B and insert 2x barrel nuts (#2) into the side rail and secure with 2x bolts (#3).

Tighten with the allen key provided.



Hardware for Step 2:



1x #1 Wooden Dowels



2x #2 Barrel Nuts



2x #3 Bolts

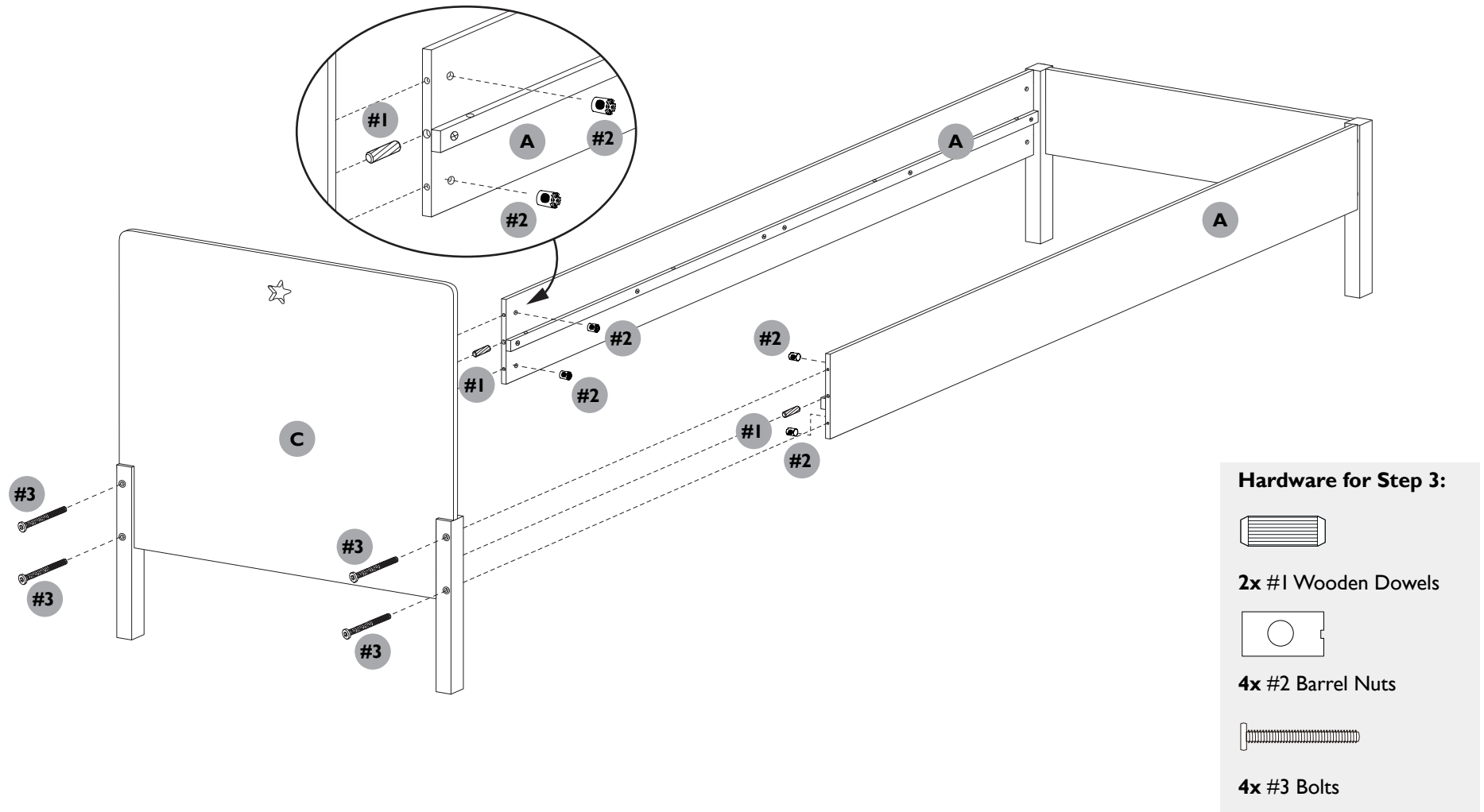
STEP 3:

TWO PEOPLE are needed for this step.

Insert 1x wooden dowel (#1) into the open end of each of the two side rails A.

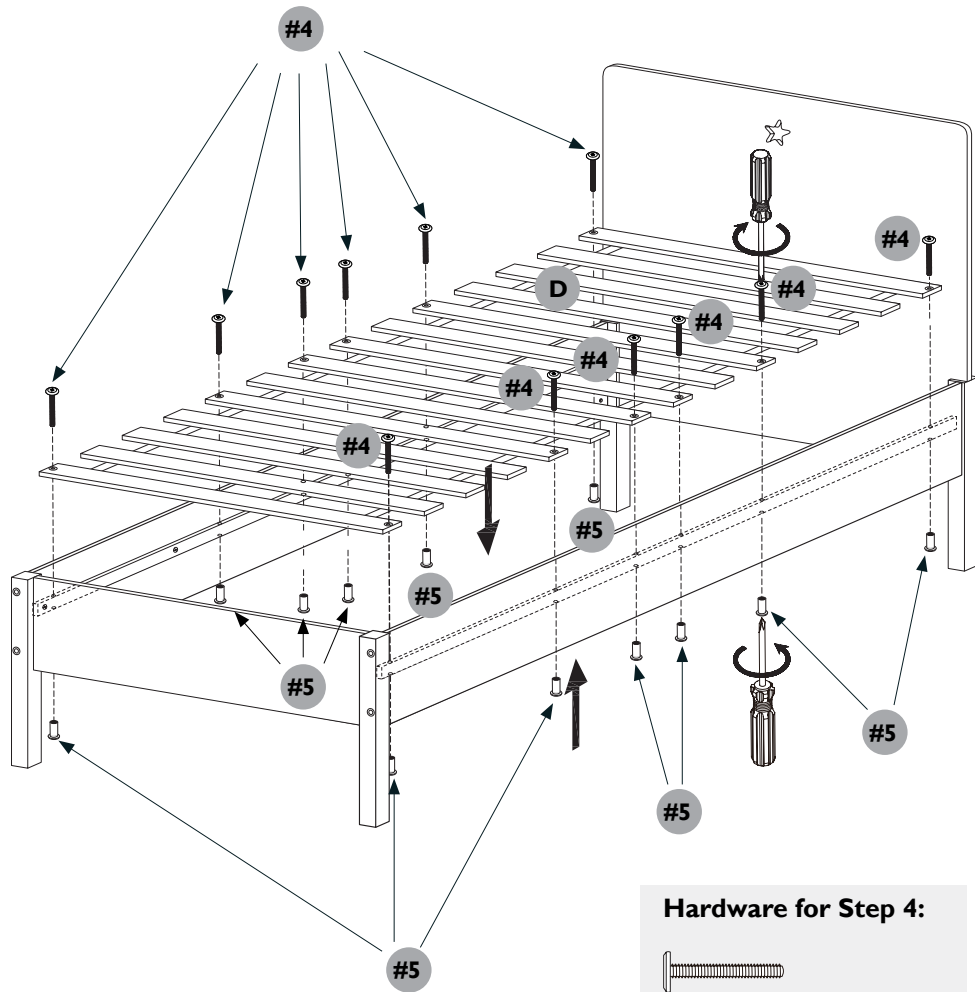
With the assistance of a second person, locate each side rail A onto the headboard C.

Insert 2x barrel nuts (#2) into each of the side rails and secure with 2x bolts (#3). Tighten with the allen key provided.



STEP 4:

Install the webbed slats D with the webbing face downwards and secure them with 12x bolts (#4) and 12x top hat nuts (#5) using two screwdrivers.



Hardware for Step 4:



12x #4 Bolts 32mmL



12x #5 Top Hat Nuts

